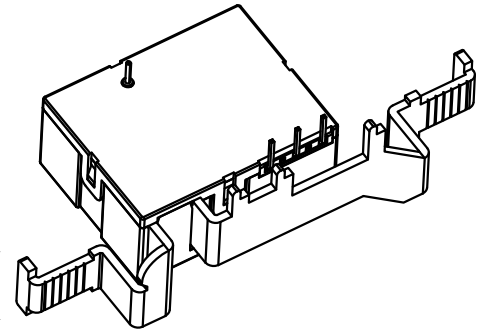
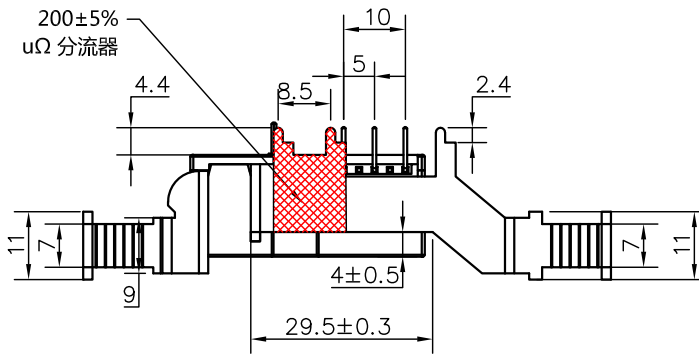
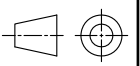


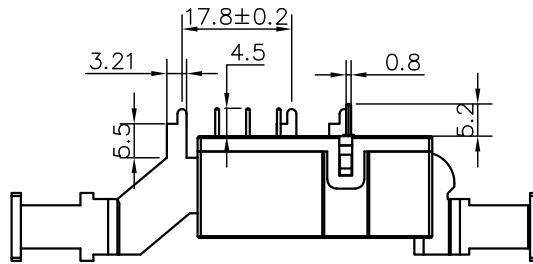
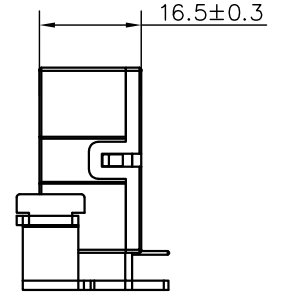
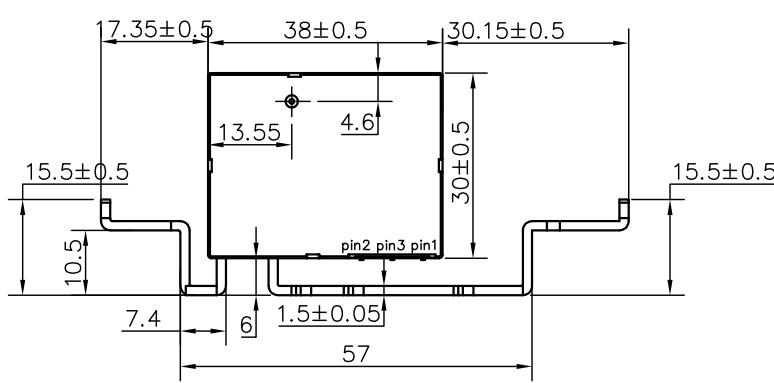
Y9030508

Other: ±0.3



A

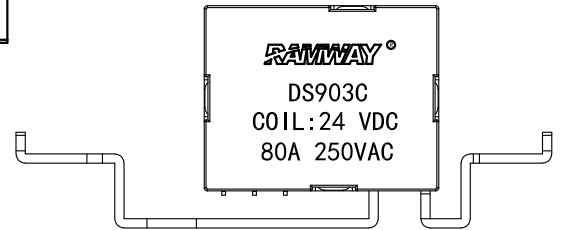
A



B

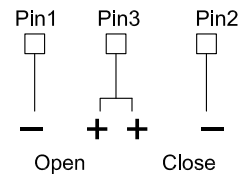
B

1. Model & Spec: DS903C 80A, 24V double coil, positive polarity.
2. 903 Coil Housing, Pin&Terminal as per drawing.
3. Stat. & Mov. Terminal & acid wash



LOGO

Positive Polarity



Customer Confirm & Signature

				Model No. /Specs: DS903C 80A 24V				 GuangXi Ramway Technology Co.,Ltd			
A				Customer Ref.ID ELKES				Drawing Type: Outline Drawing			
Mark	File No		Mark	File No							
	Signature	Date		Signature	Date						
DRAWN						Surface treatment				Drawing No: Y9030508	
CHECK						Heat treatment					
DATE	2019-07-09		APPR			UNIT	mm	Scale	N/A	Version	05