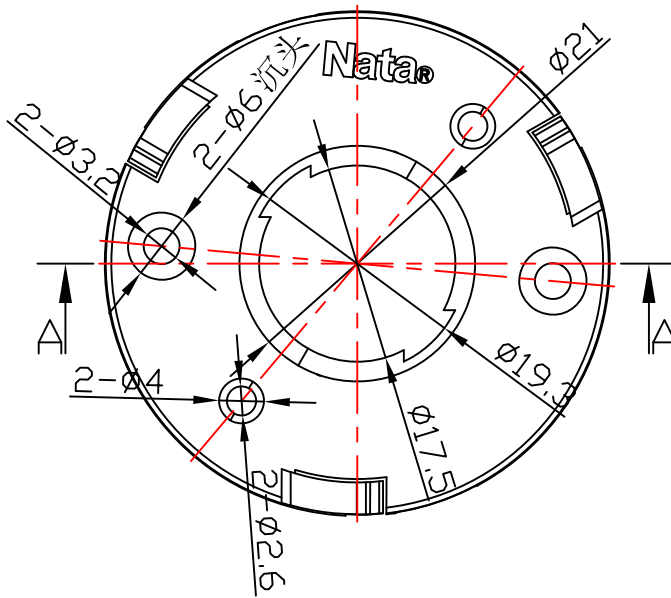
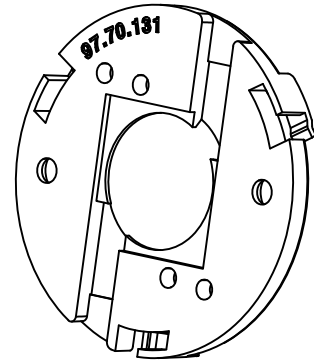
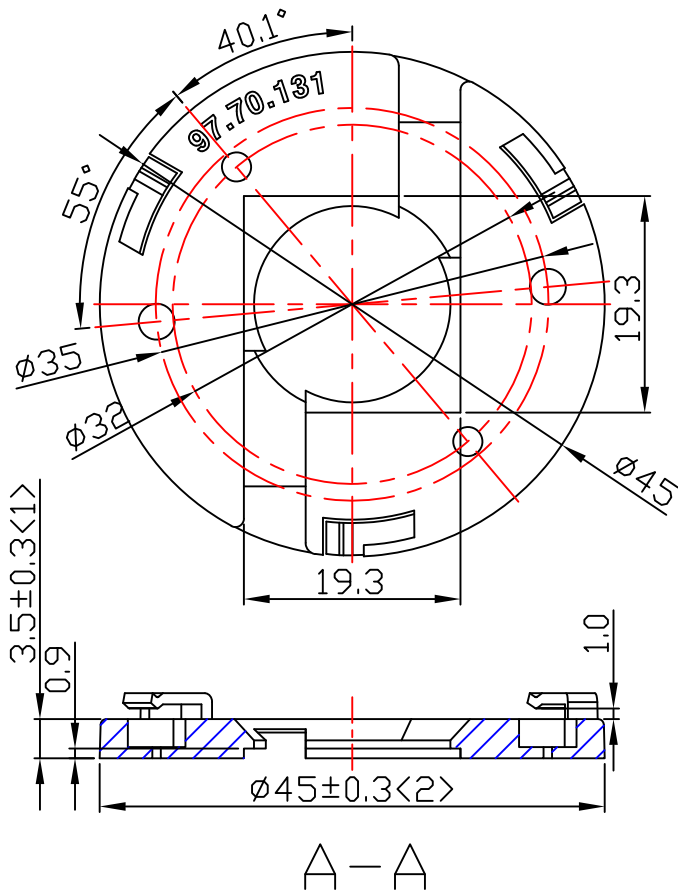


table for unmentioned tolerance in the drawing (unit: mm)					
0-5	5-30	30-120	120-250	250-400	400-700
±0.15	±0.2	±0.5	±0.8	±1.5	±2



					Material:PC		Nata® NATA Lighting Co.,Ltd	
Mark	Amended Times	Amended Content			Signature	Amended Date	Customer Item	
Control Version	A0	Design Version	K3		Client Version		Customer Code	NT
Designer		Drawing by		Proportion	1:1	Product Number	92.70.131.00	
Technology		Auditor		View		Product Name	CLU03x支架 D45xH3.5	
Approval		Date	2019.05.14	Page	Total_ Page_			