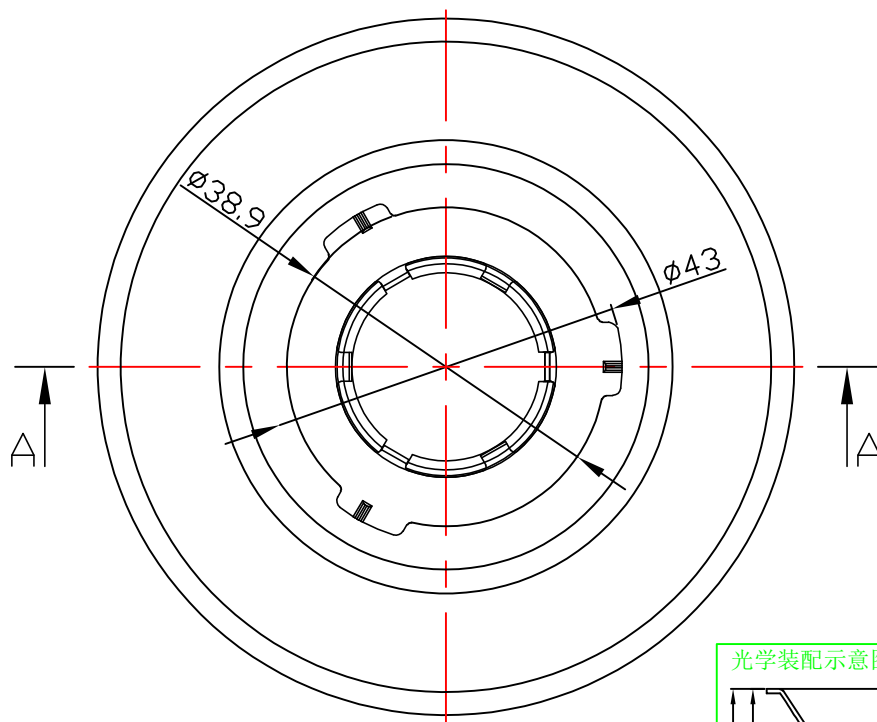
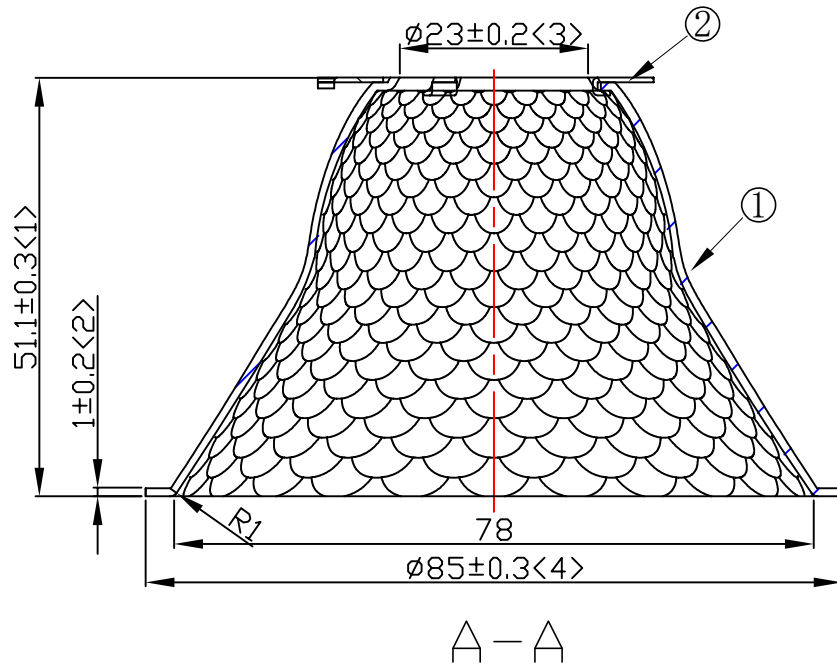
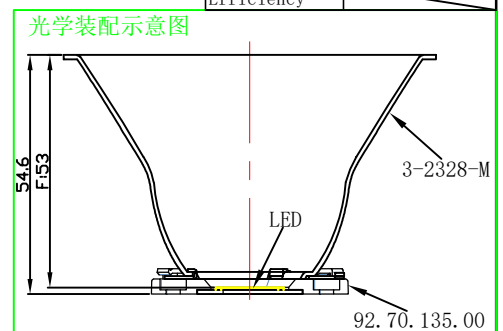


Product bill of material				
Serial number	material name	Masterial number	NO.	Describe
①	3-2327-A	94.03.2327.000	1	材料:T=AL 1.0 1090AL
②	D43不锈钢卡环	97.76.368.000	1	材料:T=0.6 SUS304

table for unmentioned tolerance in the drawing (unit: mm)			punch angle tolerance in the drawing (unit:degree)		
0-5	5-30	30-120	0-10	10-50	50-120
±0.15	±0.2	±0.5	±1°	±0.5°	±0.3°
120-250	250-400	400-700	120-250	250-360	360 above
±0.8	±1.5	±2	±0.2°	±0.166°	±0.083°



Light Source	LUXEBON COB 1205
Plastic Holder	92.70.135.00
Metal Adaptor	
Design Angle	$60^\circ \pm 5^\circ$
Measured Angle	57.3°
Efficiency	



Mark	Amended Times	Amended Content		Signature	Amended Date
Controll Version	A0	Design Version	K2	Client Version	
Designer		Drawing by		Proportion	1:1
Technology		Auditor		View	
Approval		Date	2019.05.16	Page	Total_Page_

Nata[®]
NATA Lighting Co.,Ltd

Customer Item	
Customer Code	NT
Product Number	
Product Name	3-2328-M