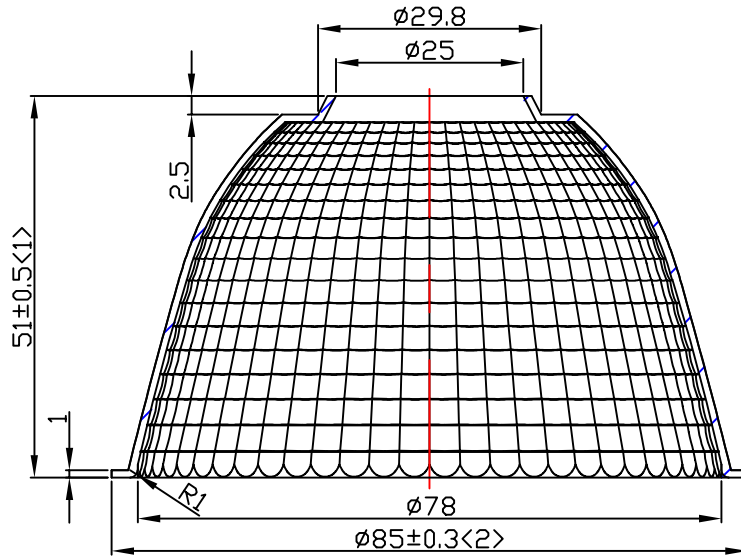
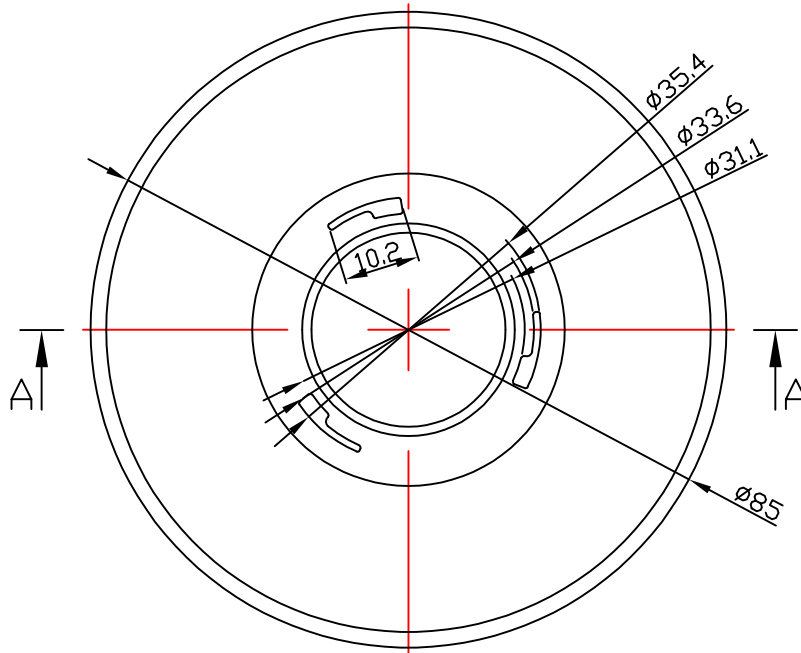


table for unmentioned tolerance in the drawing (unit: mm)			punch angle tolerance in the drawing (unit:degree)		
0-5	5-30	30-120	0-10	10-50	50-120
±0.15	±0.2	±0.5	±1°	±0.5°	±0.3°
120-250	250-400	400-700	120-250	250-360	360 above
±0.8	±1.5	±2	±0.2°	±0.166°	±0.083°

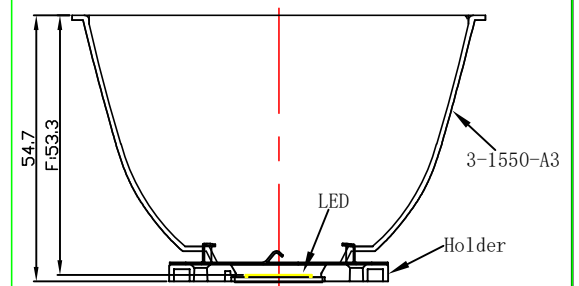


A-A



Light Source	OSRAM OPTO SOLERIQ S13
PlasticHolder	99.02.73.172
Metal Adaptor	92.76.365.00
Design Angle	46° ±5°
Measured Angle	42.4°
Efficiency	

光学装配示意图



Material:T=1.0  
1090AL

**Nata®**  
**NATA Lighting Co.,Ltd**

Mark	Amended Times	Amended Content		Signature	Amended Date
Controll Version	A0	Design Version	K0	Client Version	
Designer		Drawing by		Proportion	1:1
Technology		Auditor		View	
Approval		Date	2017.09.06	Page	Total Page_

Customer Item	
Customer Code	NT
Product Number	
Product Name	3-1550-A3