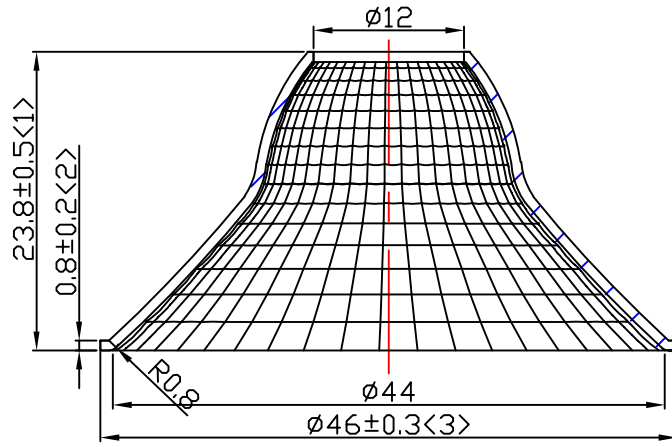
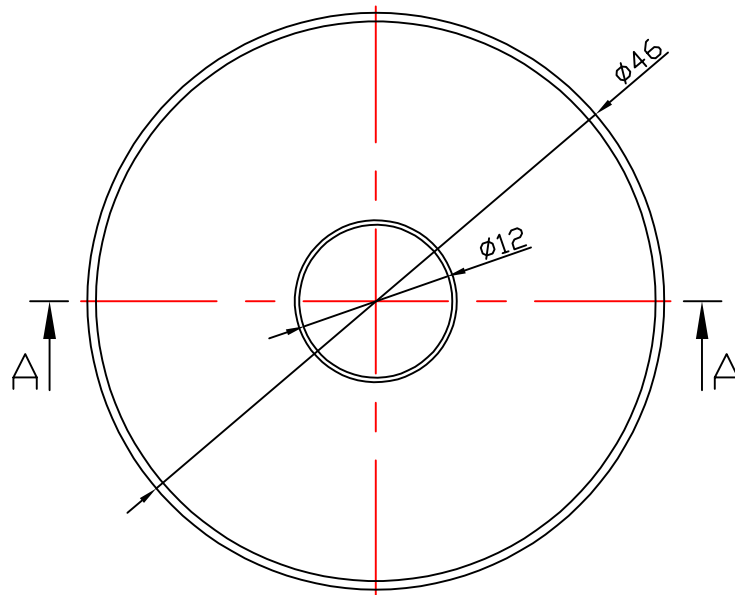


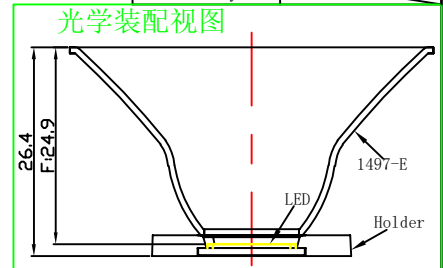
table for unmentioned tolerance in the drawing (unit: mm)			punch angle tolerance in the drawing (unit:degree)		
0-5	5-30	30-120	0-10	10-50	50-120
±0.15	±0.2	±0.5	±1°	±0.5°	±0.3°
120-250	250-400	400-700	120-250	250-360	360 above
±0.8	±1.5	±2	±0.2°	±0.166°	±0.083



A-A



Light Source	CITIZEN CLU026 LES9.8
PlasticHolder	92.70.064.00
Metal Adaptor	
Design Angle	$58^\circ \pm 5^\circ$
Measured Angle	58.1°
Efficiency	



Mark	Amended Times	Amended Content	Signature	Amended Date
Controll Version	A3	Design Version KO	Client Version	
Designer		Drawing by	Proportion	1:1
Technology		Auditor	View	
Approval		Date	2018.1.8	Page
				Total_Page_

Material:T=0.8
1090AL

Nata[®]
NATA Lighting Co.,Ltd

Customer Item	
Customer Code	NT
Product Number	
Product Name	1497-E