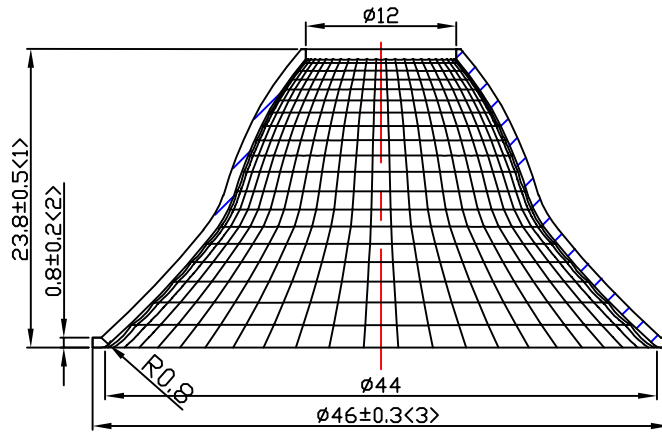
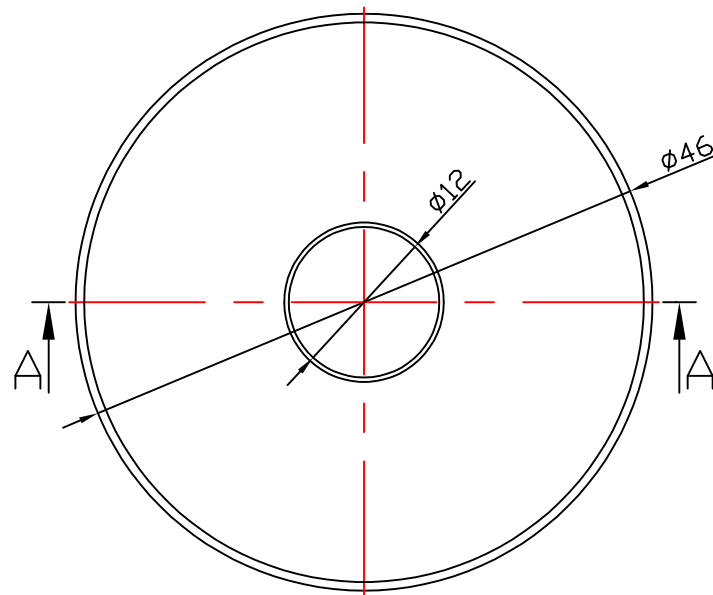


table for unmentioned tolerance in the drawing (unit: mm)			punch angle tolerance in the drawing (unit:degree)		
0-5	5-30	30-120	0-10	10-50	50-120
±0.15	±0.2	±0.5	±1°	±0.5°	±0.3°
120-250	250-400	400-700	120-250	250-360	360 above
±0.8	±1.5	±2	±0.2°	±0.166°	±0.083°

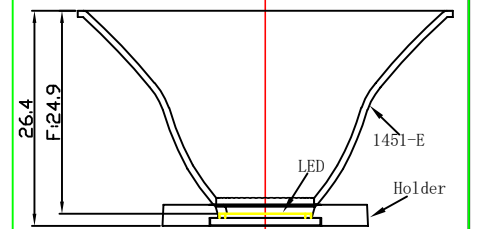


A-A



Light Source	CITIZEN CLU026 LES9.8
PlasticHolder	92.70.064.00
Metal Adaptor	
Design Angle	40° ±3°
Measured Angle	41.1°
Efficiency	

光学装配视图



				Material:T=0.8				Nata [®] NATA Lighting Co.,Ltd	
				1090AL					
Mark	Amended Times	Amended Content		Signature	Amended Date		Customer Item		
Controll Version	A3	Design Version	K0	Client Version			Customer Code	NT	
Designer		Drawing by		Proportion	1:1		Product Number		
Technology		Auditor		View			Product Name	1451-E	
Approval		Date	2018. 1. 8	Page	Total_ Page_				