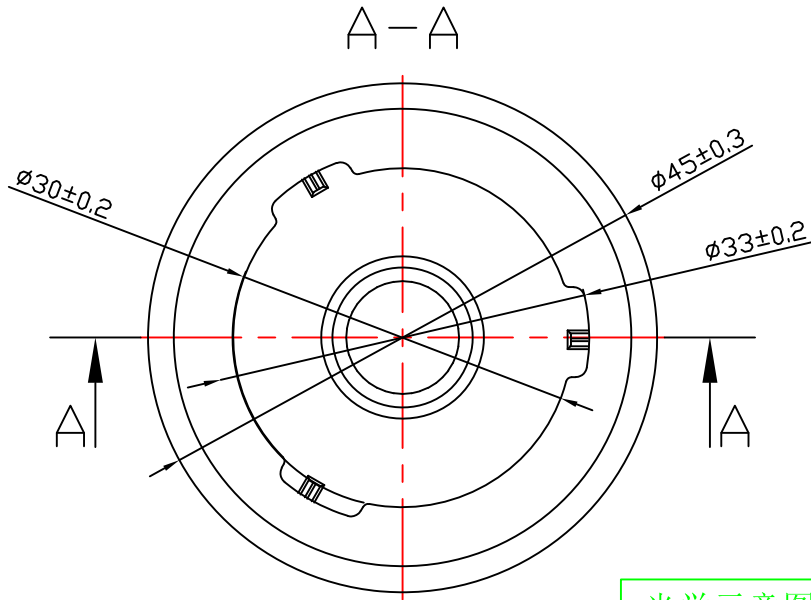
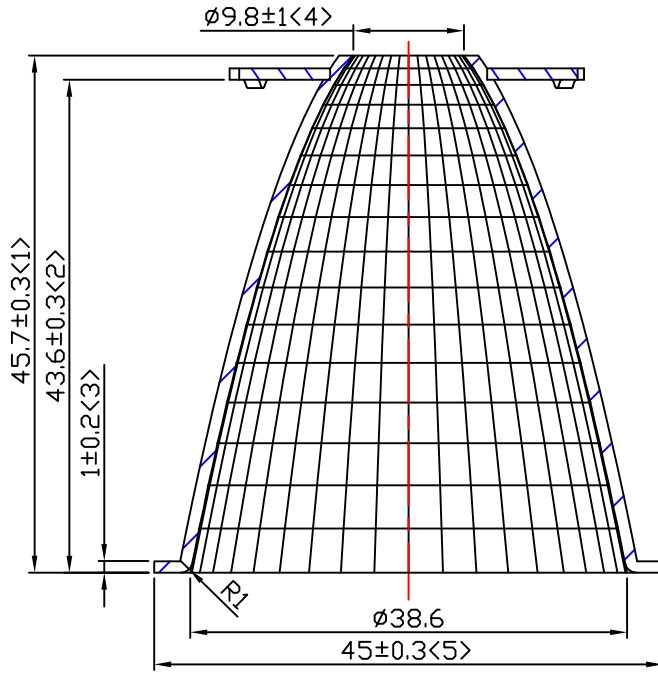
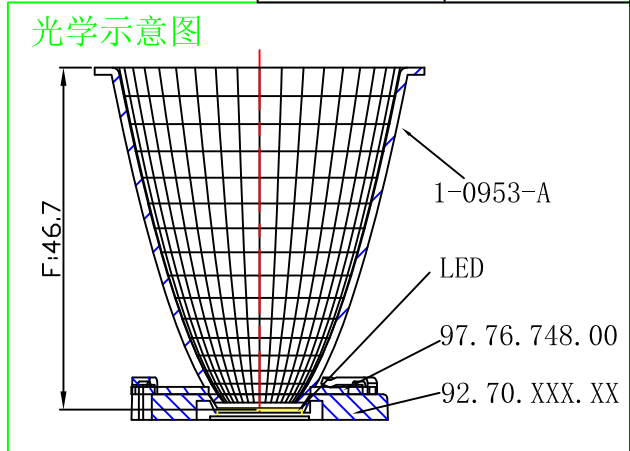


table for unmentioned tolerance in the drawing (unit: mm)			punch angle tolerance in the drawing (unit:degree)		
0-5	5-30	30-120	0-10	10-50	50-120
±0.15	±0.2	±0.5	±1°	±0.5°	±0.3°
120-250	250-400	400-700	120-250	250-360	360 above
±0.8	±1.5	±2	±0.2°	±0.166°	±0.083°



Light Source	CITIZEN CLU028
PlasticHolder	92.70.124.00
Metal Adaptor	97.76.748.00
Design Angle	16° ±3°
Measured Angle	17.8°
Efficiency	



				Material:1.0 1090AL		<b>Nata</b> <sup>®</sup> <b>NATA Lighting Co.,Ltd</b>	
Mark	Amended Times	Amended Content		Signature	Amended Date	Customer Item	D45深筒反光杯16°
Control Version	A0	Design Version	K0	Client Version		Customer Code	NT
Designer		Drawing by		Proportion	1:1	Product Number	91.01.0918.000
Technology		Auditor		View		Product Name	1-0918-M
Approval		Date	2019.07.25	Page	Total_ Page_		