

Surface Mount

# Dual Matched MMIC Amplifier

DC-1 GHz

## Product Features

- Two matched 50-ohm amplifiers in one package
- InGaP HBT IF and RF amplifier
- Frequency range DC to 1 GHz
- High gain, 25.1 dB typ. at 0.1 GHz
- Up to +19 dBm typ. output power at 0.1 GHz
- High IP3, +36 dBm at 0.1 GHz
- Low noise figure, 2.7 dB typ.
- Low thermal resistance
- Transient protected
- Useable as balanced and push pull amplifier
- Protected by US Patent 6,943,629

## Typical Applications

- Cellular
- CATV
- UHF/VHF communications
- Receivers & transmitters

## General Description

MERA-7456+ is a dual matched wideband amplifier offering high dynamic range. It has repeatable performance from lot to lot. It is enclosed in a 6.0 x 4.9 mm MCLP plastic package. MERA-7456+ uses Darlington configuration and is fabricated using InGaP HBT technology. Expected MTBF at 85°C case temperature is 300 years for the entire device (A1 and A2).



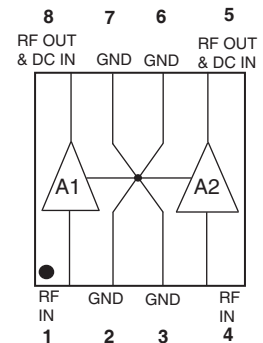
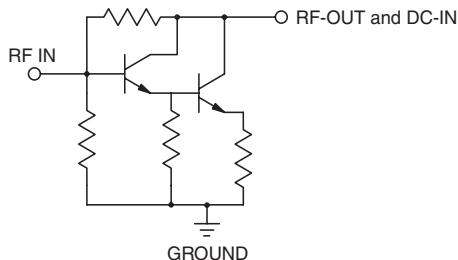
## MERA-7456+

CASE STYLE: DL1020  
PRICE: \$4.70 ea. QTY. (20)

+ RoHS compliant in accordance with EU Directive (2002/95/EC)

The +Suffix has been added in order to identify RoHS Compliance. See our web site for RoHS Compliance methodologies and qualifications.

## simplified schematic (each of A1, A2) and pin description



Function	Pin Number	Description
RF IN, A1	1	RF input pin. This pin requires the use of an external DC blocking capacitor chosen for the frequency of operation.
RF-OUT and DC-IN, A1	8	RF output and bias pin. DC voltage is present on this pin; therefore a DC blocking capacitor is necessary for proper operation. An RF choke is needed to feed DC bias without loss of RF signal due to the bias connection, as shown in "Recommended Application Circuit".
RF IN, A2	4	RF input pin. This pin requires the use of an external DC blocking capacitor chosen for the frequency of operation.
RF-OUT and DC-IN, A2	5	RF output and bias pin. DC voltage is present on this pin; therefore a DC blocking capacitor is necessary for proper operation. An RF choke is needed to feed DC bias without loss of RF signal due to the bias connection, as shown in "Recommended Application Circuit".
GND	2,3,6,7 & paddle	Connections to ground. Use via holes as shown in "Suggested Layout for PCB Design" to reduce ground path inductance for best performance.



P.O. Box 350166, Brooklyn, New York 11235-0003 (718) 934-4500 Fax (718) 332-4661 The Design Engineers Search Engine Provides ACTUAL Data Instantly at [minicircuits.com](http://minicircuits.com)

IF/RF MICROWAVE COMPONENTS

For detailed performance specs & shopping online see web site

Notes: 1. Performance and quality attributes and conditions not expressly stated in this specification sheet are intended to be excluded and do not form a part of this specification sheet. 2. Electrical specifications and performance data contained herein are based on Mini-Circuit's applicable established test performance criteria and measurement instructions. 3. The parts covered by this specification sheet are subject to Mini-Circuits standard limited warranty and terms and conditions (collectively, "Standard Terms"); Purchasers of this part are entitled to the rights and benefits contained therein. For a full statement of the Standard Terms and the exclusive rights and remedies thereunder, please visit Mini-Circuits' website at [www.minicircuits.com/MCLStore/terms.jsp](http://www.minicircuits.com/MCLStore/terms.jsp).

REV. E  
M120653  
MERA-7456+  
120608  
Page 1 of 4

**Electrical Specifications at 25°C and 80mA, unless noted**  
 (Specifications (other than Matching) are for each of the two matched amplifiers in the package.)

Parameter	Min.	Typ.	Max.	Units
Frequency Range*	DC		1	GHz
Gain	f=0.1 GHz	25.1		dB
	f=1 GHz	20	22.5	
	f=2 GHz		18.6	
	f=3 GHz		14.2	
	f=4 GHz		9.4	
Input Return Loss	f=DC to 1 GHz	17.5		dB
Output Return Loss	f=DC to 1 GHz	9.5		dB
Output Power @ 1 dB compression	f=0.1 GHz	18	19	dBm
	f=1 GHz		18.2	
	f=2 GHz		14.4	
Output IP3	f=0.1 GHz		36	dBm
	f=0.5 GHz		35	
	f=1 GHz		32	
Noise Figure	f=DC to 1 GHz		2.7	dB
Matching between A1, A2 <sup>2</sup>				
Amplitude Unbalance	f=DC to 1 GHz		0.1	dB
	f=1 to 4 GHz		0.1	
Phase Unbalance	f=DC to 1 GHz		0.6	deg.
	f=1 to 4 GHz		1.0	
Recommended Device Operating Current		80		mA
Device Operating Voltage	4.3	4.8	5.3	V
Device Voltage Variation vs. Temperature at 80 mA		-3.1		mV/°C
Device Voltage Variation vs. Current at 25°C		2.8		mV/mA
Thermal Resistance, junction-to-case <sup>1</sup> , A1 or A2		120		°C/W

\*Guaranteed specification DC-1 GHz. Low frequency cut off determined by external coupling capacitors.

**Absolute Maximum Ratings**

Parameter	Ratings
Operating Temperature	-45°C to 85°C
Storage Temperature	-55°C to 100°C
Operating Current	130mA
Power Dissipation	700mW
Input Power	10dBm

Note: Permanent damage may occur if any of these limits are exceeded. These ratings are not intended for continuous normal operation.

<sup>1</sup>Case is defined as ground paddle. See application note AN-60-032 for adequate heat sinking of paddle.

<sup>2</sup>For test method, see application note AN-60-032.

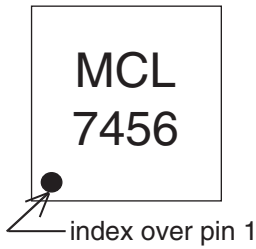


For detailed performance specs & shopping online see web site

P.O. Box 350166, Brooklyn, New York 11235-0003 (718) 934-4500 Fax (718) 332-4661 The Design Engineers Search Engine Provides ACTUAL Data Instantly at [minicircuits.com](http://minicircuits.com)

Notes: 1. Performance and quality attributes and conditions not expressly stated in this specification sheet are intended to be excluded and do not form a part of this specification sheet. 2. Electrical specifications and performance data contained herein are based on Mini-Circuit's applicable established test performance criteria and measurement instructions. 3. The parts covered by this specification sheet are subject to Mini-Circuits standard limited warranty and terms and conditions (collectively, "Standard Terms"); Purchasers of this part are entitled to the rights and benefits contained therein. For a full statement of the Standard Terms and the exclusive rights and remedies thereunder, please visit Mini-Circuits' website at [www.minicircuits.com/MCLStore/terms.jsp](http://www.minicircuits.com/MCLStore/terms.jsp).

**Product Marking**



Markings in addition to model number designation may appear for internal quality control purposes.

**Additional Detailed Technical Information**

Additional information is available on our web site. To access this information enter the model number on our web site home page.

**Performance data, graphs, s-parameter data set (.zip file)**

**Case Style: DL1020**

Plastic package, exposed paddle, lead finish: tin/silver/nickel

**Tape & Reel: F68**

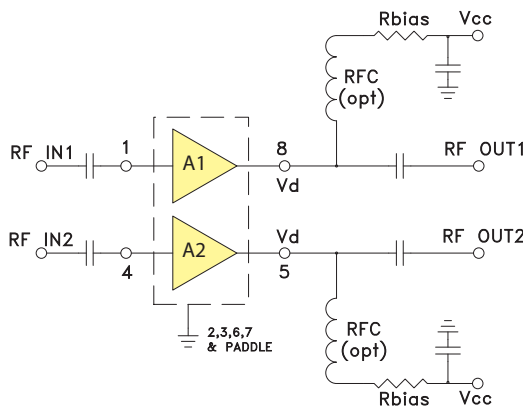
**Standard quantities available on reel** 7" reels with 20, 50, 100, 200, 500 or 1K devices.  
13" reels with 2000, 4000 devices.

**Suggested Layout for PCB Design: PL-164**

**Evaluation Board: TB-293+**

**Environmental Ratings: ENV08T2**

**Recommended Application and Biasing Circuit**



R BIAS	
Vcc	"1%" Res. Values (ohms) for Optimum Biasing
7	28.7
8	41.2
9	53.6
10	66.5
11	78.7
12	90.9
13	102
14	115
15	127



For detailed performance specs & shopping online see web site

P.O. Box 350166, Brooklyn, New York 11235-0003 (718) 934-4500 Fax (718) 332-4661 The Design Engineers Search Engine Provides ACTUAL Data Instantly at [minicircuits.com](http://minicircuits.com)

Notes: 1. Performance and quality attributes and conditions not expressly stated in this specification sheet are intended to be excluded and do not form a part of this specification sheet. 2. Electrical specifications and performance data contained herein are based on Mini-Circuit's applicable established test performance criteria and measurement instructions. 3. The parts covered by this specification sheet are subject to Mini-Circuits standard limited warranty and terms and conditions (collectively, "Standard Terms"); Purchasers of this part are entitled to the rights and benefits contained therein. For a full statement of the Standard Terms and the exclusive rights and remedies thereunder, please visit Mini-Circuits' website at [www.minicircuits.com/MCLStore/terms.jsp](http://www.minicircuits.com/MCLStore/terms.jsp).

**ESD Rating**

Human Body Model (HBM): Class 1C (1000 v to < 2000 v) in accordance with ANSI/ESD STM 5.1 - 2001

Machine Model (MM): Class M2 (100 v to < 200 v) in accordance with ESD STM 5.2-1999

**MSL Rating**

Moisture Sensitivity: MSL1 in accordance with IPC/JEDECJ-STD-020C

No.	Test Required	Condition	Standard	Quantity
1	Visual Inspection	Low Power Microscope Magnification 40x	MIP-IN-0003 (MCT spec)	114 units
2	Electrical Test	Room Temperature	SCD (MCL spec)	114 units
3	SAM Analysis	Less than 10% growth in term of delamination	J-Std-020C (Jedec Standard)	114 units
4	Moisture Sensitivity Level 1	Bake at 125°C for 24 hours Soak at 85°C/85%RH for 168 hours Reflow 3 cycles at 250°C peak	J-Std-020C (Jedec Standard)	114 units

**MSL Test Flow Chart**

