



# 1/2" Disk Type Thermostat

# 03EN Series

Auto reset  
Phenol body

### Features:

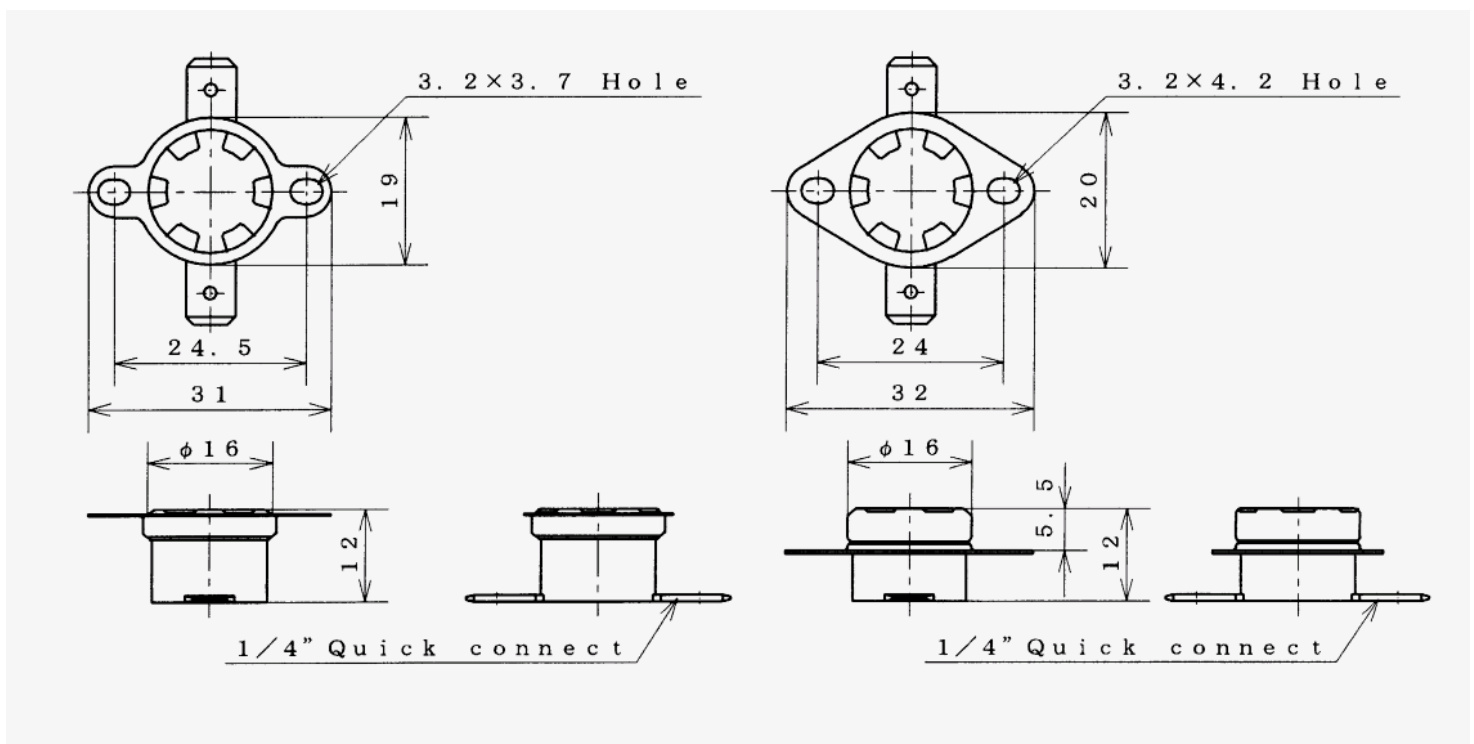
- Standard disk type thermostat automatic reset function.
- Body thickness is 12.1mm.



### Specifications

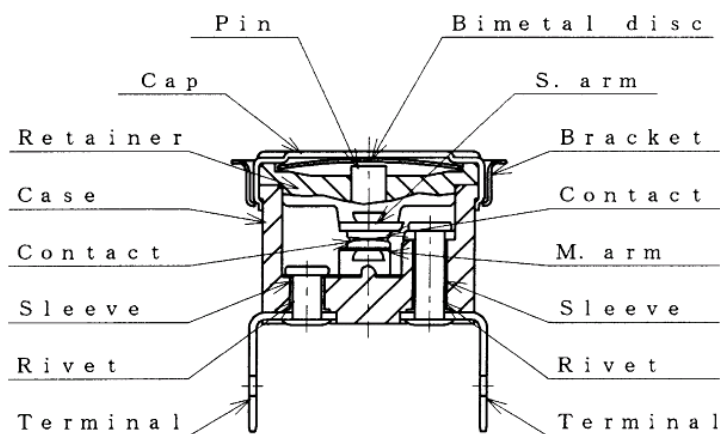
Item	Specification
1. Basic features	SPST Automatic reset
2. Operation	A: Contacts open on temperature rise B: Contacts close on temperature rise
3. Electrical rating	UL: AC120V/15A AV240V/10A CSA: AC125V/15A AC250V/8A VDE, BEAB:AC250V/16A
4. Calibration method	Hot & cold air circulation system
5. Temperature rating	Operating temperature Max. 150°C
6. Insulation resistance	Not less than 1000MΩ/DC500V
7. Dielectric strength	Not less than AC1500V/1min. or AC1800V/1sec.

### Dimensions

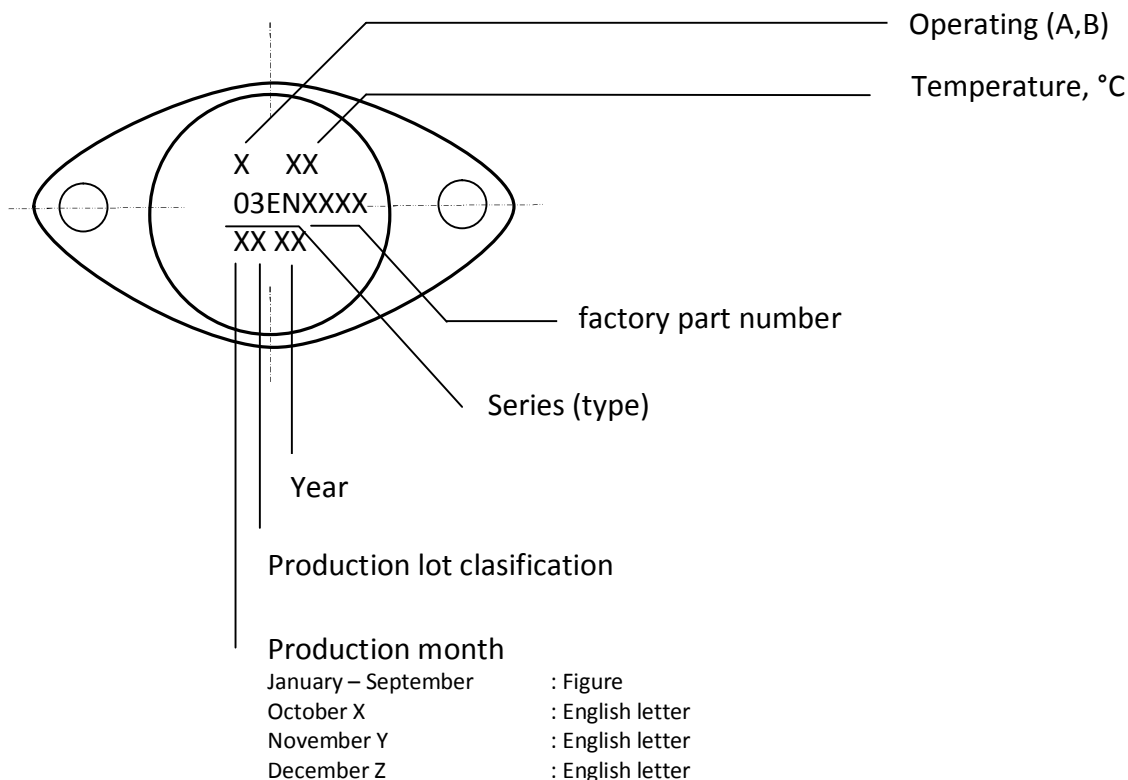


**Materials of parts**

Part	Material
Cap	Aluminium Cooper Stainless steel
Case	Phenolic resin
M. arm	Beryllium Cooper alloy
Terminals	Brass
Bracket	Stainless steel
Contacts	Silver-Nickel alloy



**Part Marking Information**



**Standard**

UL	873	UL File	No. E43273
CSA	C22.2 No.24	CSA Report	No. LR67165 LR67166
DIN EN	60730-1, -2-9	VDE License	No. 100896
BS EN	60730-1, -2-9	BEAB Certificate	No. C0901