



# PRODUCT DATASHEET

## Florence series

last update 6/2/2017

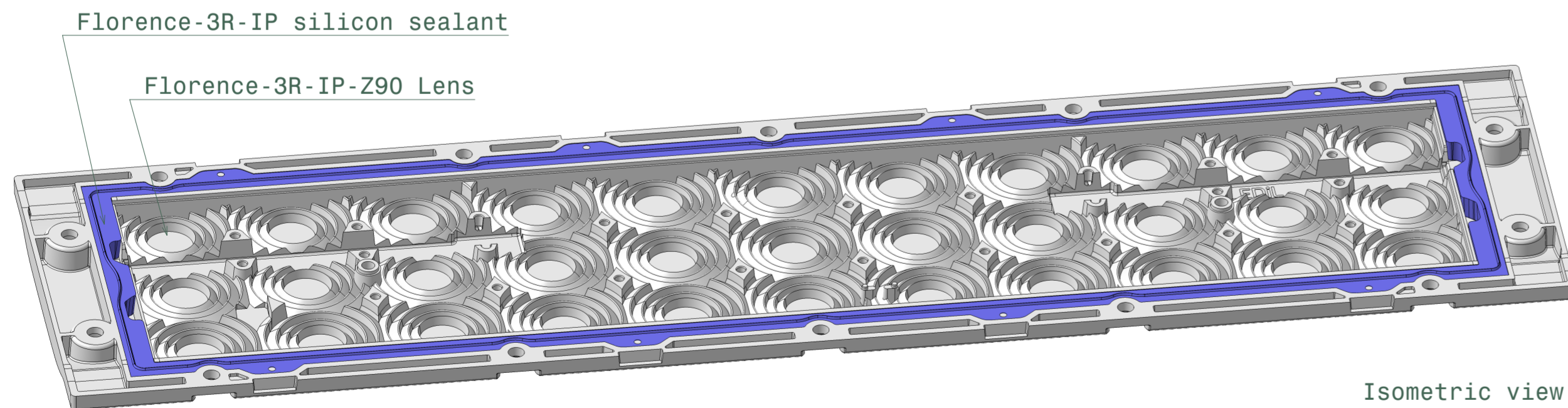
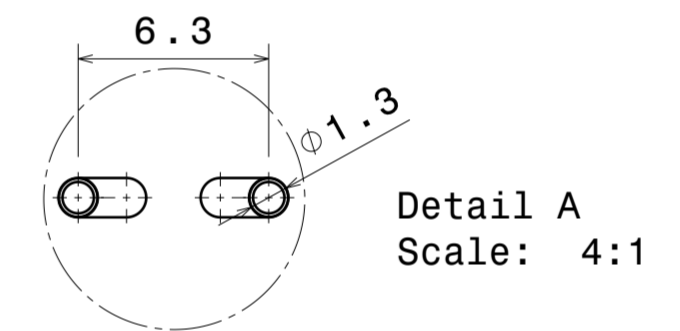
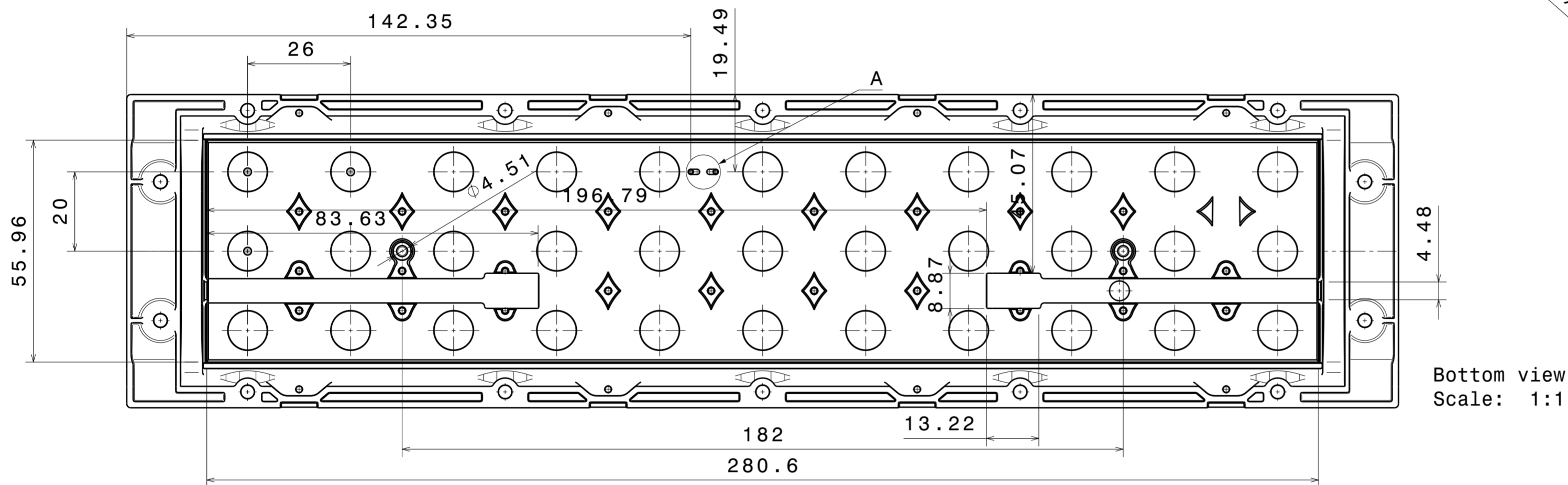
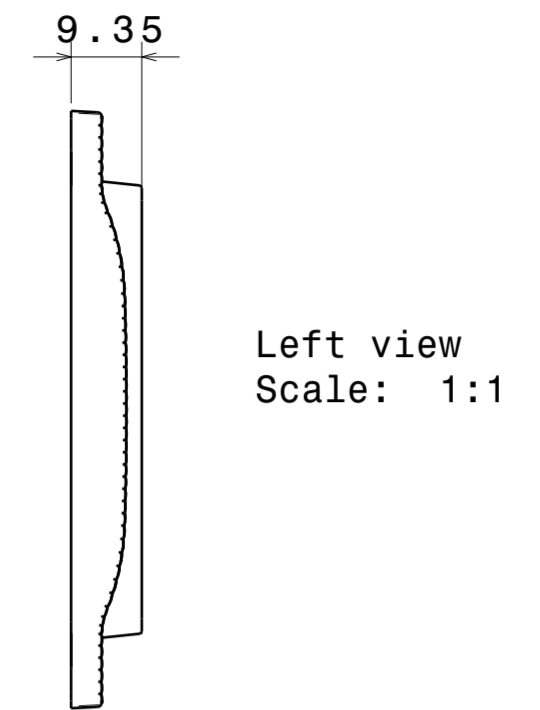
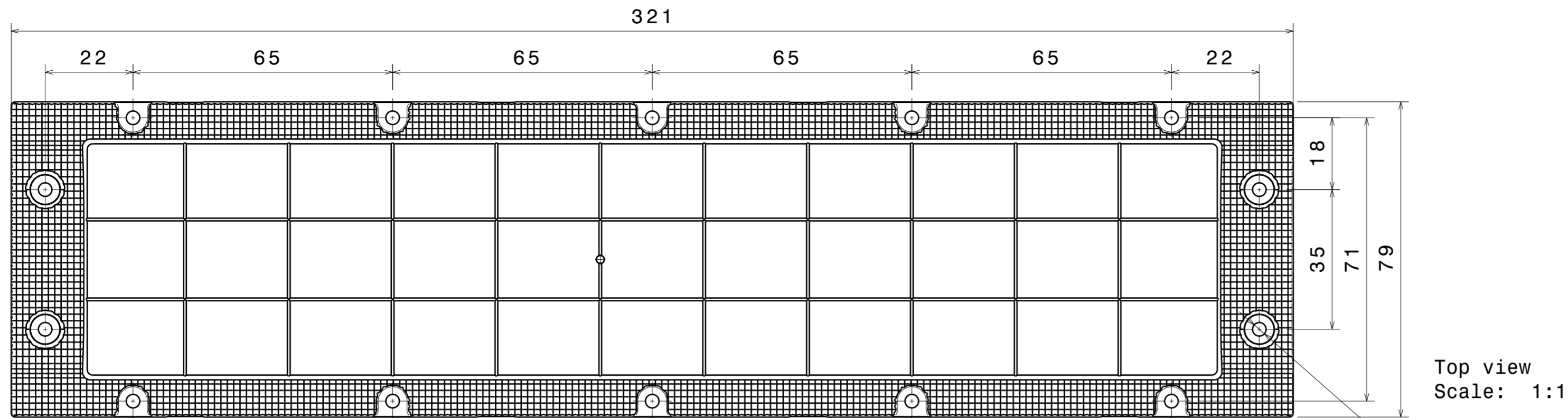
### DETAILS

<b>Product Number</b>	FS15626_FLORENCE-3R-IP-Z90
<b>Family</b>	Florence
<b>Type</b>	Assembly
<b>Color</b>	clear
<b>Diameter</b>	294 + 72,9 mm
<b>Height</b>	6,87 mm
<b>Style</b>	rectang
<b>Optic Material</b>	Silicone,PC
<b>Holder Material</b>	
<b>Fastening</b>	
<b>Status</b>	sample approved
<b>ROHS Compliant</b>	Yes
<b>Date Updated</b>	6/02/2017



### OPTICAL PROPERTIES

LED	Viewing Angle	Light Beam	Efficiency	cd/lm	Connector
LG 6030	90 deg		89 %	0.440	-

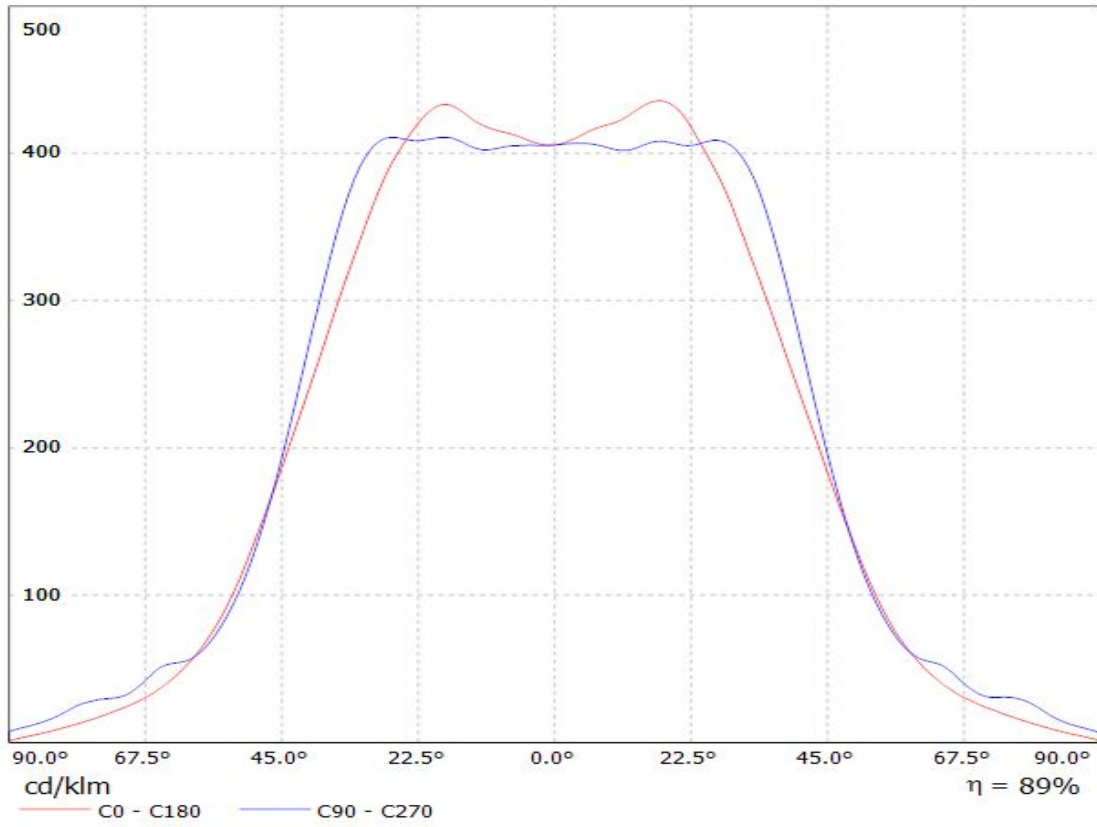


- Assembly Guide F15542\_FLORENCE-3R-IP-Z90
1. Insert Silicone sealant into bottom of FLORENCE-3R-IP-Z90 lens
  2. Set lens and silicone sealant on top of PCB
  3. Fasten lens to heatsink with 14pcs of M3 screws
- Screw type DIN 7985 M3, Max torque 0.6Nm

Tolerances if not otherwise shown According to DIN ISO 2768-1 Linear measures: Up to 30mm class M, otherwise class C. According to DIN ISO 2768-2 Form and position: class L		<b>LEDiL</b> Ledil Oy Salorankatu 10 FIN 24240 SALO Finland	
THIRD ANGLE PROJECTION:		<b>DRAWING TITLE</b> Datasheet_FLORENCE-3R-IP-Z90	
This drawing is the property of LEDiL Oy. It may not be reproduced, copied or communicated without a written agreement with LEDiL Oy.		<b>SIZE</b> A2	<b>PART NUMBER</b> F15542
		<b>SCALE</b> 1:1	<b>WEIGHT</b> g
		<b>SHEET</b> 1/1	

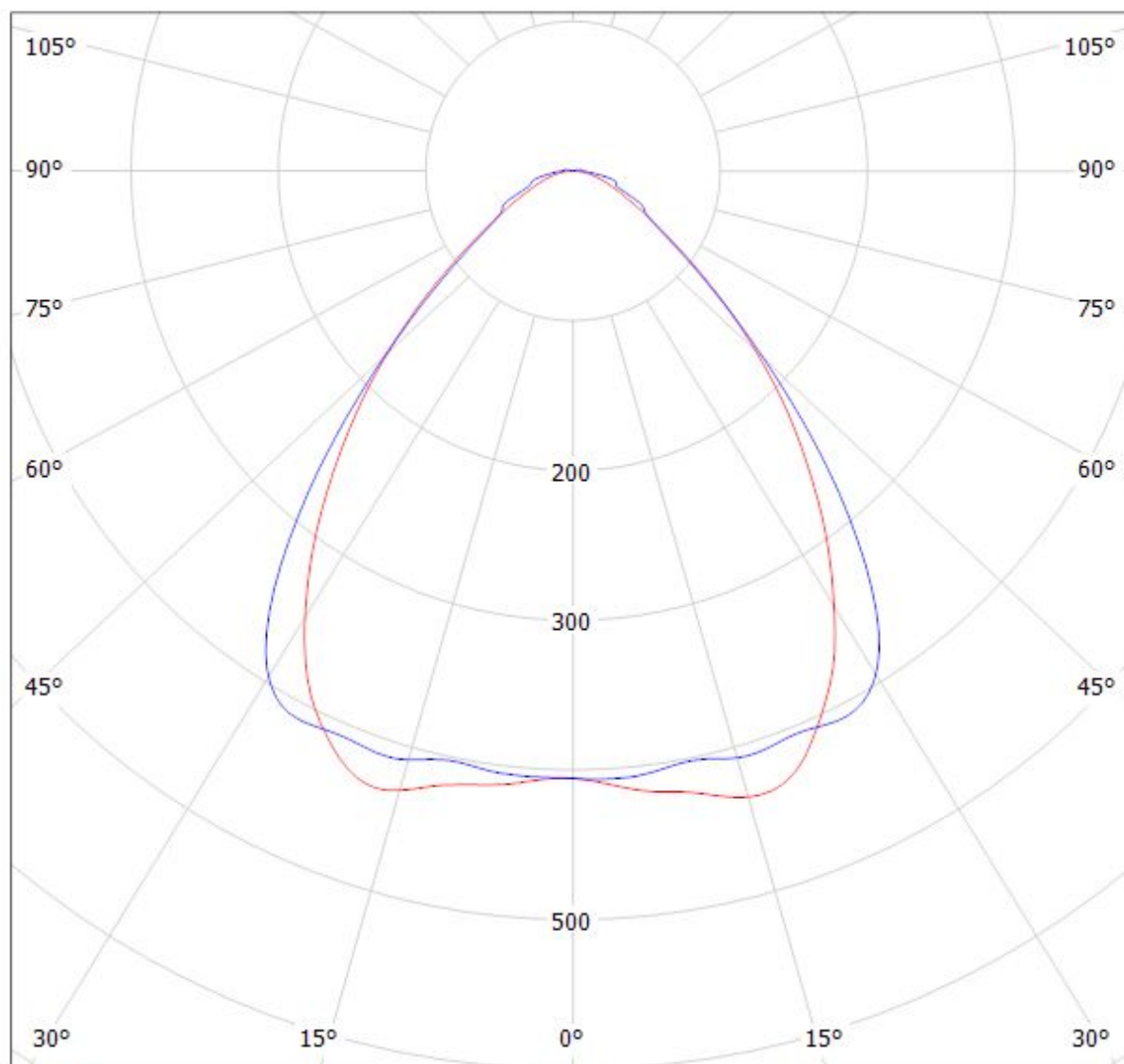
Luminaire: LEDiL Oy FS15626\_FLORENCE-3R-IP-Z90\_(LG\_6030)

Lamps: 1 x Philips\_Fortimo\_LED\_Line\_1ft\_1100lm\_840\_3R\_HV2\_(LG\_6030)\_1043.51lm@250mA\_P=7.9259W\_I=0.25A



Luminaire: LEDiL Oy FS15626\_FLORENCE-3R-IP-Z90\_(LG\_6030)

Lamps: 1 x Philips\_Fortimo\_LED\_Line\_1ft\_1100lm\_840\_3R\_HV2\_(LG\_6030)\_1043.51lm@250mA\_P=7.9259W\_I=0.25A



cd/klm

— C0 - C180 — C90 - C270

$\eta = 89\%$

**NOTE: The typical divergence will be changed by different color, chip size and chip position tolerance. The typical total divergence is the full angle measured where the luminous intensity is half of the peak value.**