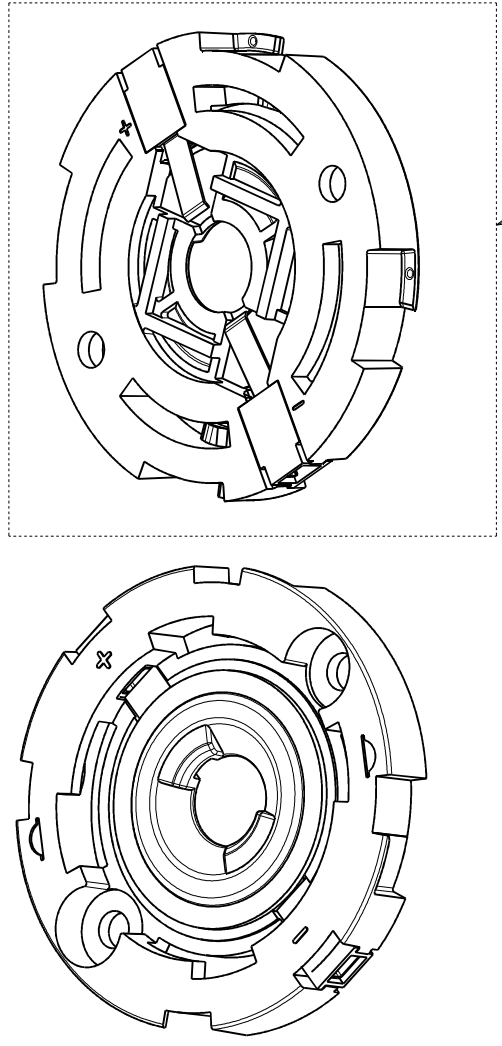


Code table

HEKLA CONNECTOR	COB SIZE [mm]	LES MAX. [mm]	HEKLA-SOCKET
FP15490 HEKLA-A	12,5X12,5	ø9,0	F15253 HEKLA-SOCKET-A
FP15500 HEKLA-B	17,85X17,85	ø14,2	F15254 HEKLA-SOCKET-B
FP15501 HEKLA-C	13,5X13,5	ø11,6	F15255 HEKLA-SOCKET-C
FP15502 HEKLA-D	15,85X15,85	ø10,7	F15256 HEKLA-SOCKET-D
FP15503 HEKLA-E	15,8X15,8	ø14,3	F14988 HEKLA-SOCKET-E
FP15947 HEKLA-G	12X15	ø10	F15848 HEKLA-SOCKET-G
FP15948 HEKLA-H	16X19	ø14	F15858 HEKLA-SOCKET-H
FP15949 HEKLA-I	19X19	ø17	F15859 HEKLA-SOCKET-I
FP15957 HEKLA-J	13,35X13,35	ø7,5	F15956 HEKLA-SOCKET-J
			F15616 HEKLA-SOCKET-F



**Notes**

- PCB or Heat Sink level
- Led location
- Ensure LED fitting, see our web site and/or 3D model for part detail.

**COMPONENTS**

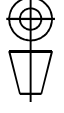
INDEX	PRODUCT	TYPE	MATERIAL	COLOUR / COATING	
				CONTACT SPRING ASSEMBLY	SOCKET
1	FPXXXXX_HEKLA-PIC-X	CONTACT SPRING ASSEMBLY	PBT+BeCu	White+gold	White+gold
2	See code table	SOCKET	PBT	White	White
3	See code table	CONNECTOR	PBT+BeCu	White+gold	White+gold

**MECHANICAL DRAWING**

PRODUCT  
HEKLA-family

Tolerances if not otherwise shown:  
 Geometric: DIN ISO 2768-1  
 Linear: measures:  
 Up to 30mm class M, otherwise class C.  
 According to DIN ISO 2768-2  
 Form and position: class L

FIRST ANGLE PROJECTION:



This drawing is the property of LEDIL Oy. It may not be reproduced, copied or communicated without a written agreement with LEDIL Oy.

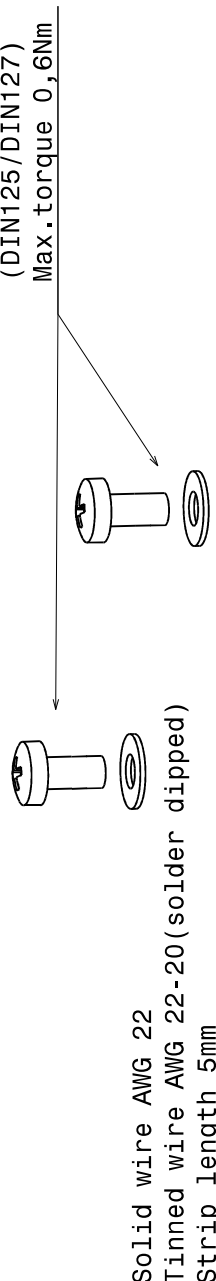
SCALE 2:1

SIZE A3

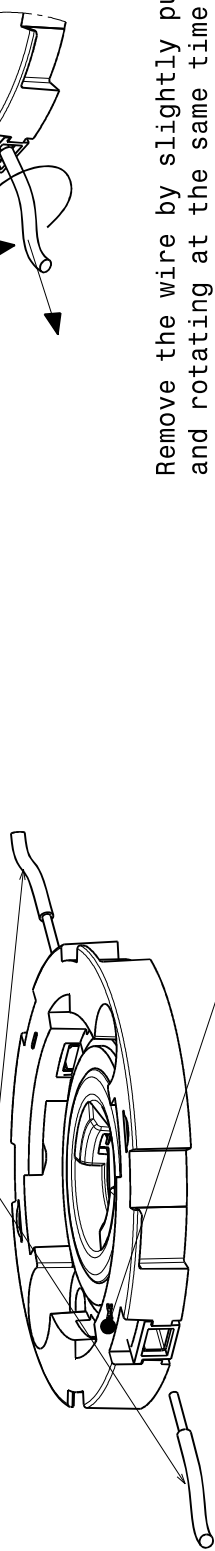
SHEET 1/2

GENERAL INFORMATION	50VDC/3A FOR USE IN SELV AND CLASS 2 (USA) APPLICATIONS ONLY
RATED VOLTAGE/CURRENT	SOLID WIRE 22 AWG (Ø0,64mm); TINNED WIRE 22-20 AWG(SOLDER DIPPED)
WIRE TYPE AND SIZE	5 +/- 0,5 mm
WIRE STRIP LENGTH	SCREWS 2XM3, WASHER 2XM3
FASTENING	0,6Nm
MAX.SCREW FIXING TORQUE	0,25mm
MAX.TIM THICKNESS	110°C
RATED TEMPERATURE	

GENERAL ASSEMBLY INSTRUCTION



Solid wire AWG 22  
Tinned wire AWG 22-20(solder dipped)  
Strip length 5mm



Note polarization

TIM

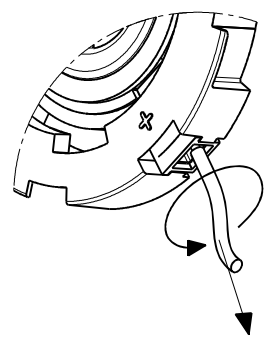
(max.thickness 0,25mm)

COB LED

Heat sink (simplified)

**Notes**

- PCB or Heat Sink level
- Led location
- Ensure LED fitting, see our web site and/or 3D model for part detail.



Remove the wire by slightly pulling and rotating at the same time.  
A new wire is recommended after removing the old one and check the functionality of the connector.

**MECHANICAL DRAWING**

PRODUCT  
HEKLA-family

Tolerances if not otherwise shown  
Linear: according to DIN ISO 2768-1  
Form and position: class L

FIRST ANGLE PROJECTION:



SCALE 2:1

SIZE A3

SHEET 2/2



This drawing is the property of LEDiL Oy. It may not be reproduced, copied or communicated without a written agreement with LEDiL Oy.

H

G

B

A

4

3

2

1

4

3

2

1