

DETAILS

Product Number	FP15072_ZORYA-SC-HEKLA
Family	Zorya
Type	Assembly
Color	white
Diameter	55 mm
Height	35 mm
Style	round
Optic Material	Silicone
Holder Material	
Fastening	socket
Status	production ready
ROHS Compliant	Yes
Date Updated	21/04/2017

OPTICAL PROPERTIES

LED	Viewing Angle	Light Beam	Effi- ciency	cd/lm	Connector
CLL02x/CLU02x (LES10)	sim: 262	Decorative...	sim: 97 %	sim: 0.125	LEDiL: F15255_HEKLA-SOCKET-C
CLU700/701	sim: 265	Decorative...	sim: 97 %	sim: 0.116	LEDiL: F15255_HEKLA-SOCKET-C
CXA/B 15xx	sim: 263	Decorative...	sim: 95 %	sim: 0.113	LEDiL: F15256_HEKLA-SOCKET-D



H G F E D C B A

4

3

2

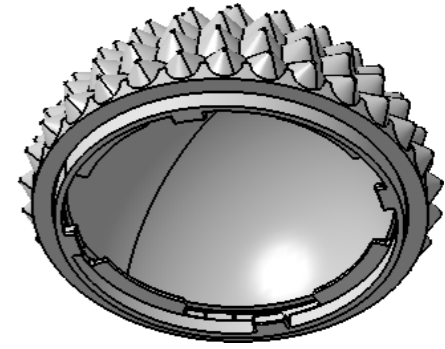
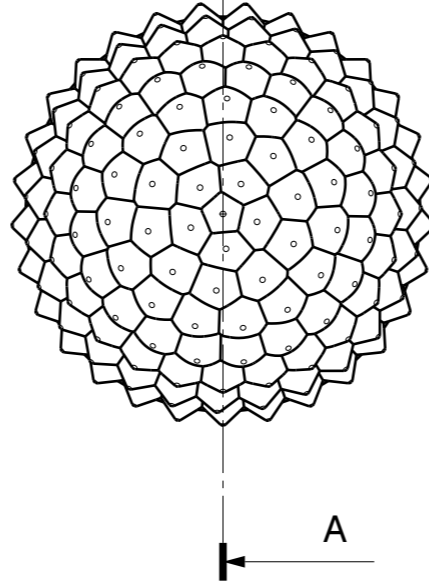
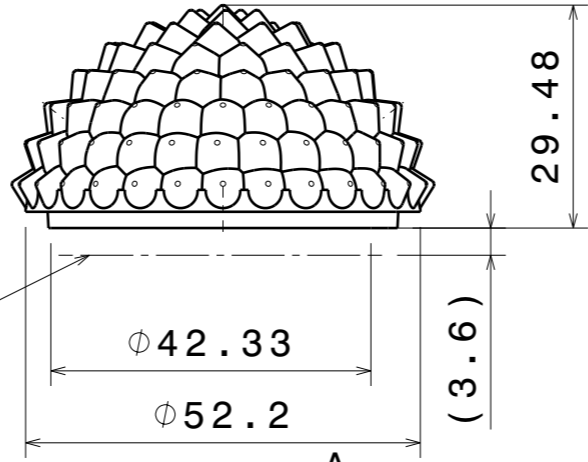
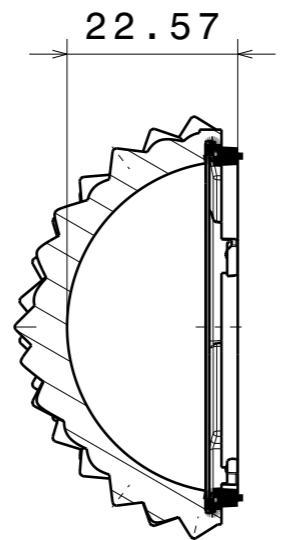
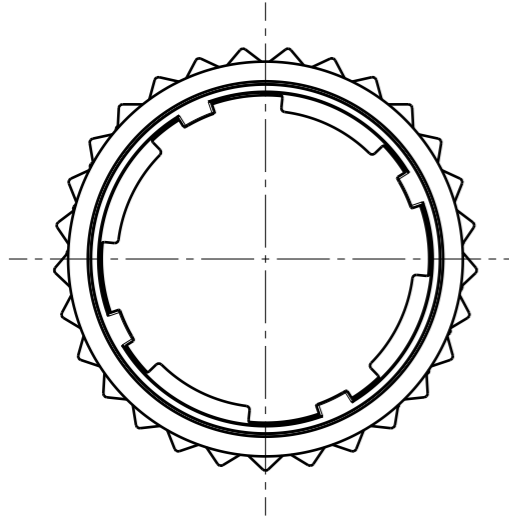
1

4


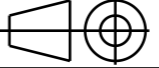
3

2

1



INDEX	PART NO	DESCRIPTION	MATERIAL	COLOUR
1	F15526	ZORYA-SC-ADAPTER-HEKLA	PC	Clear
2	ZORYA-SC-50		Silicon	Clear

Tolerances if not otherwise shown According to DIN ISO 2768-1 Linear measures: Up to 30mm class M, otherwise class C. According to DIN ISO 2768-2 Form and position: class L		 Ledil Oy Salorankatu 10 FIN 24240 SALO Finland
THIRD ANGLE PROJECTION: 		
This drawing is the property of LEDiL Oy. It may not be reproduced, copied or communicated without a written agreement with LEDiL Oy.		DRAWING TITLE FP15072_ZORYA-SC-40
SIZE A3	PART NUMBER FP15072	
SCALE 1:1	WEIGHT 26,5 g	SHEET 1/1

H G B A

NOTE: The typical divergence will be changed by different color, chip size and chip position tolerance. The typical total divergence is the full angle measured where the luminous intensity is half of the peak value.

GENERAL INFORMATION

- Product series especially designed & optimized for series of LEDs.
- Special care taken to make light distribution as uniform as possible.

Note! Due to use of high power COB's with this product, special attention to proper thermal design is highly recommended. LEDiL has no liability for direct, indirect or consecutive damages arising from the LEDiL products being used outside of the recommended temperature range.