

DETAILS

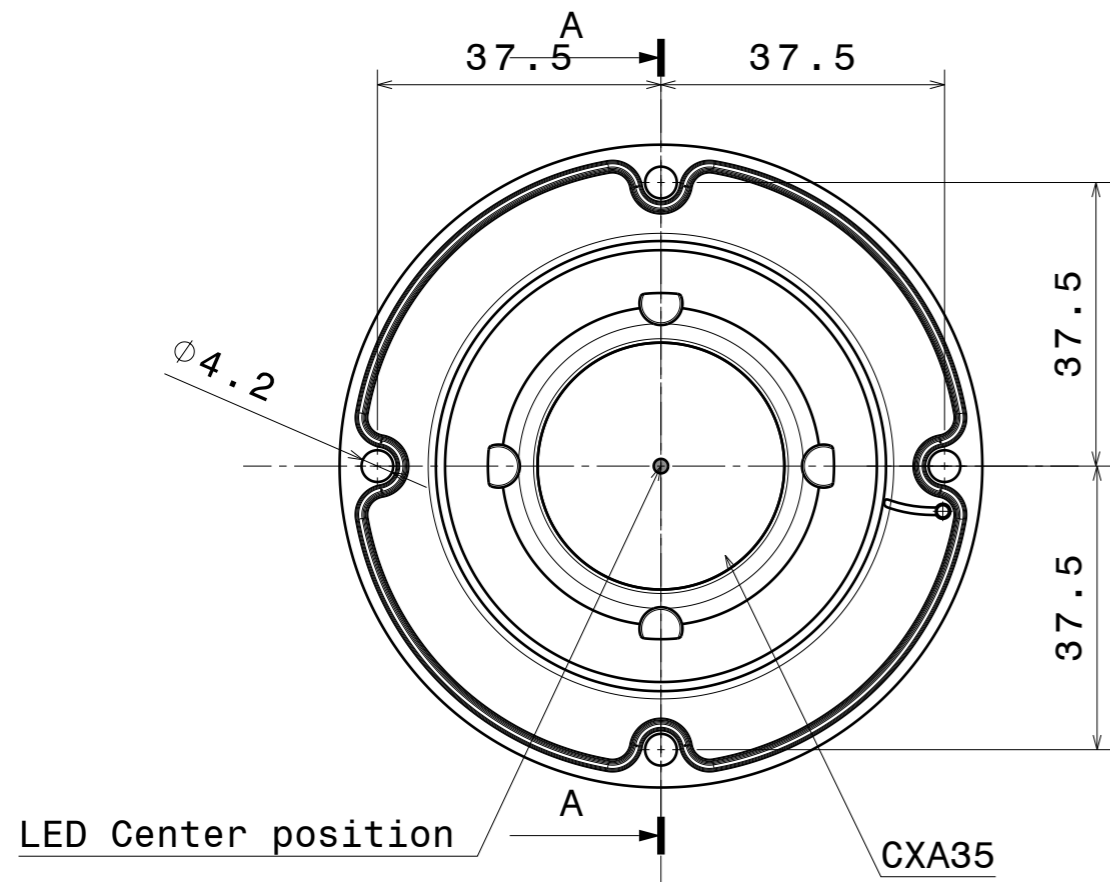
Product Number	FN15186_STELLA-HB
Family	STELLA
Type	Pack
Color	white
Diameter	90 mm
Height	19,5 mm
Style	round
Optic Material	Silicone
Holder Material	
Fastening	
Status	production ready
ROHS Compliant	Yes
Date Updated	6/09/2016



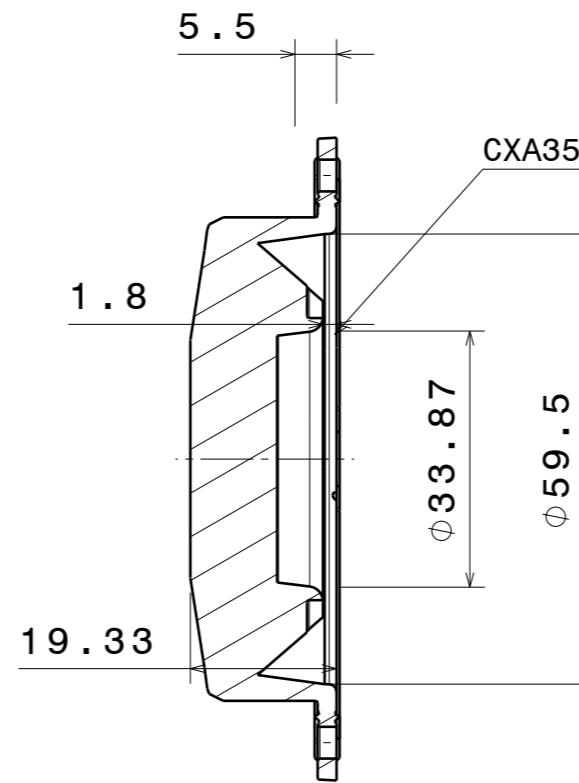
OPTICAL PROPERTIES

LED	Viewing	Light	Effi-		Connector
	Angle	Beam	ciency	cd/lm	
VERO18	75 deg	HighBay	93 %	0.700	-
VERO29	69 deg	HighBay	94 %	0.708	-
CLL05x/CLU05x	73 deg	HighBay	93 %	0.630	-
CLL163	79 deg	HighBay	94 %	0.640	-
CLL04x/CLU04x	68 deg	HighBay	93 %	0.770	Bender Wirth: 431 Typ L3
CLL04x/CLU04x	77 deg	HighBay	94 %	0.650	-
CLL05x/CLU05x	65 deg	HighBay	94 %	0.740	-
CLL05x/CLU05x	sim: 66	HighBay	sim: 92 %	sim: 0.760	-
CXA/B 30xx	78 deg	HighBay	93 %	0.630	-
CXA/B 25xx	83 deg	HighBay	93 %	0.566	-
CXA/B 3590	72 deg	HighBay	93 %	0.682	-
LTPL-M074	76 deg	HighBay	93 %	0.650	-
LUXEON CoB 1216	72 deg	HighBay	94 %	0.720	-
LUXEON CoB 1211	71 deg	HighBay	93 %	0.730	-
CXM-18	80 deg	HighBay	93 %	0.600	-
CXM-22	73 deg	HighBay	93 %	0.700	-
CXM-22	68 deg	HighBay	94 %	0.770	Bender Wirth: 431 Typ L3
Soleriq S19	84 deg	HighBay	92 %	0.570	-

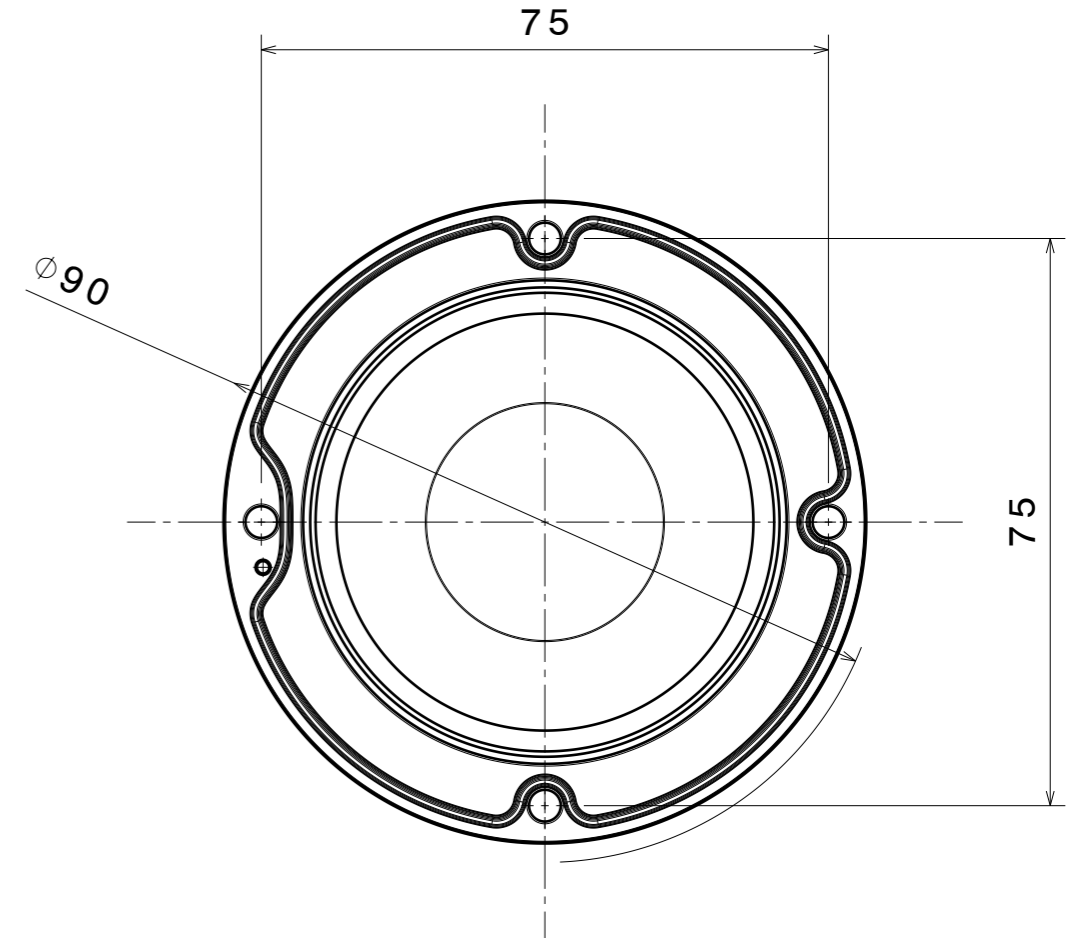
NOTE: Maximum recommended tightening torque for STELLA-FRAME-WHT is 0,4Nm



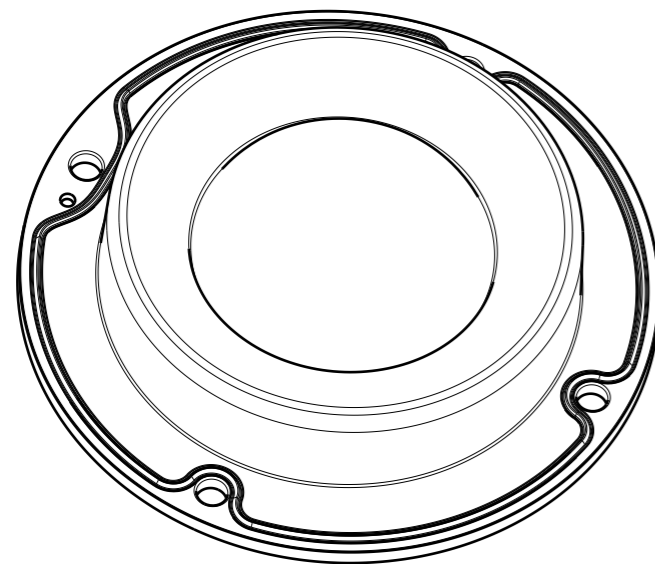
Bottom view



Section view A-A



Front view



Isometric view

INDEX	PART NO	DESCRIPTION	MATERIAL	COLOUR
1	F14021	STELLA-HB	Optical grade LSR	
	F14252	STELLA-FRAME-WHT	PA66GF30	white

Tolerances if not otherwise shown
According to DIN ISO 2768-1
Linear measures: class V
Please note that due to the elasticity of products made of silicone actual measured values may vary, and therefore typical tolerance values may not be applied.



Ledil Oy
Salorankatu 10
FIN 24240 SALO
Finland

THIRD ANGLE PROJECTION:

DRAWING TITLE

FN15186_STELLA-HB

This drawing is the property of LEDiL Oy. It may not be reproduced, copied or communicated without a written agreement with LEDiL Oy."

SIZE PART NUMBER

A3

FN15186

SCALE

1:1

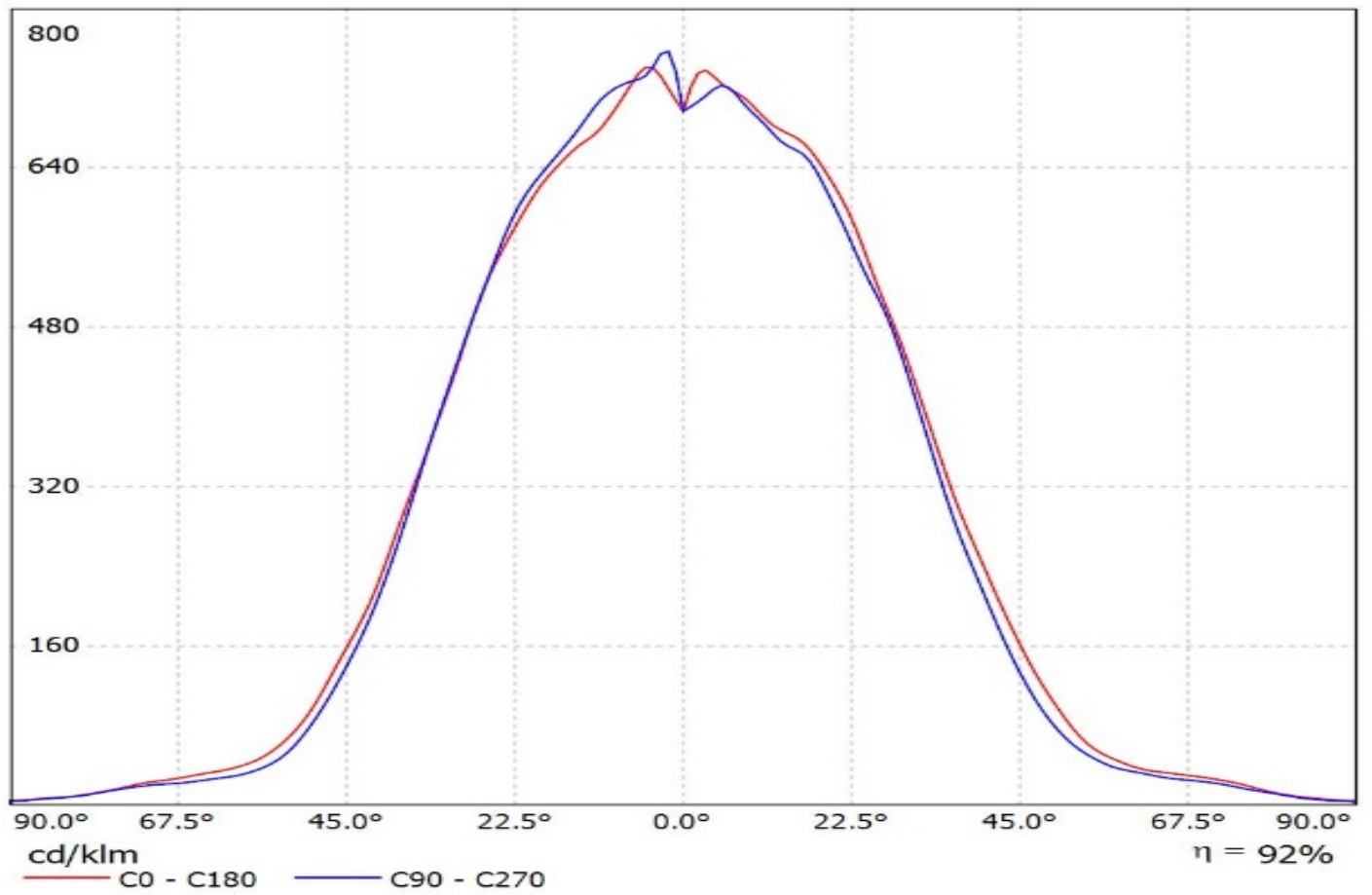
WEIGHT

56,32 g

SHEET

1/1

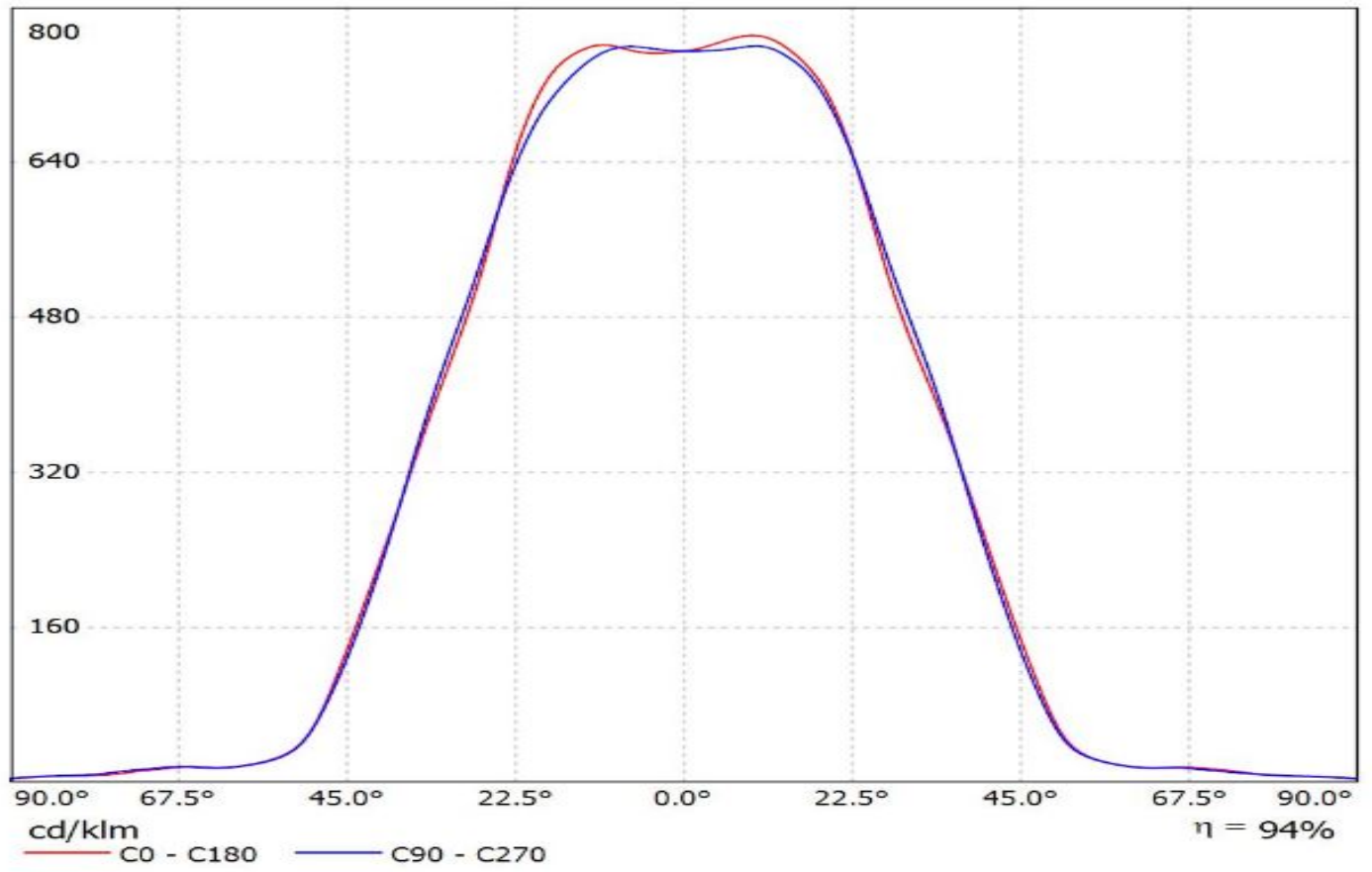
Luminaire: Ledil Oy FN15186_STELLA-HB_(CLU056)_SIMULATED
Lamps: 1 x Citizen CLU056 (CLU056-3618C1-303M2G2)



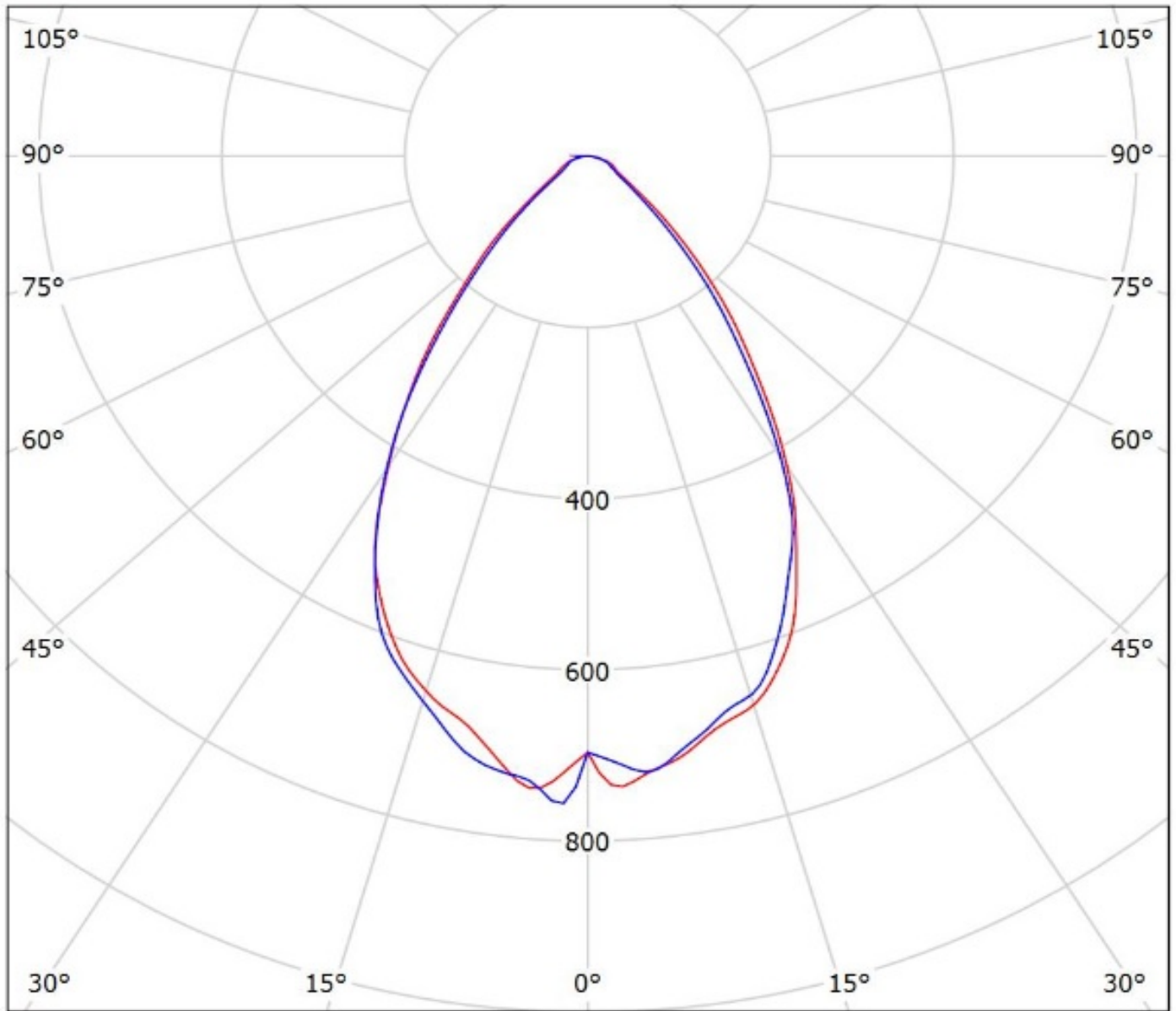
Luminaire: Ledil FN15186_STELLA-HB_(CXM-22_+BW)

Lamps: 1 x LUMINUS_CXM-

22_+Bender&Wirth_431TypL3_1259.61lm@250mA_P=8.0332W_CCT=3000K_I=0.25A



Luminaire: Ledil Oy FN15186_STELLA-HB_(CLU056)_SIMULATED
Lamps: 1 x Citizen CLU056 (CLU056-3618C1-303M2G2)



cd/klm

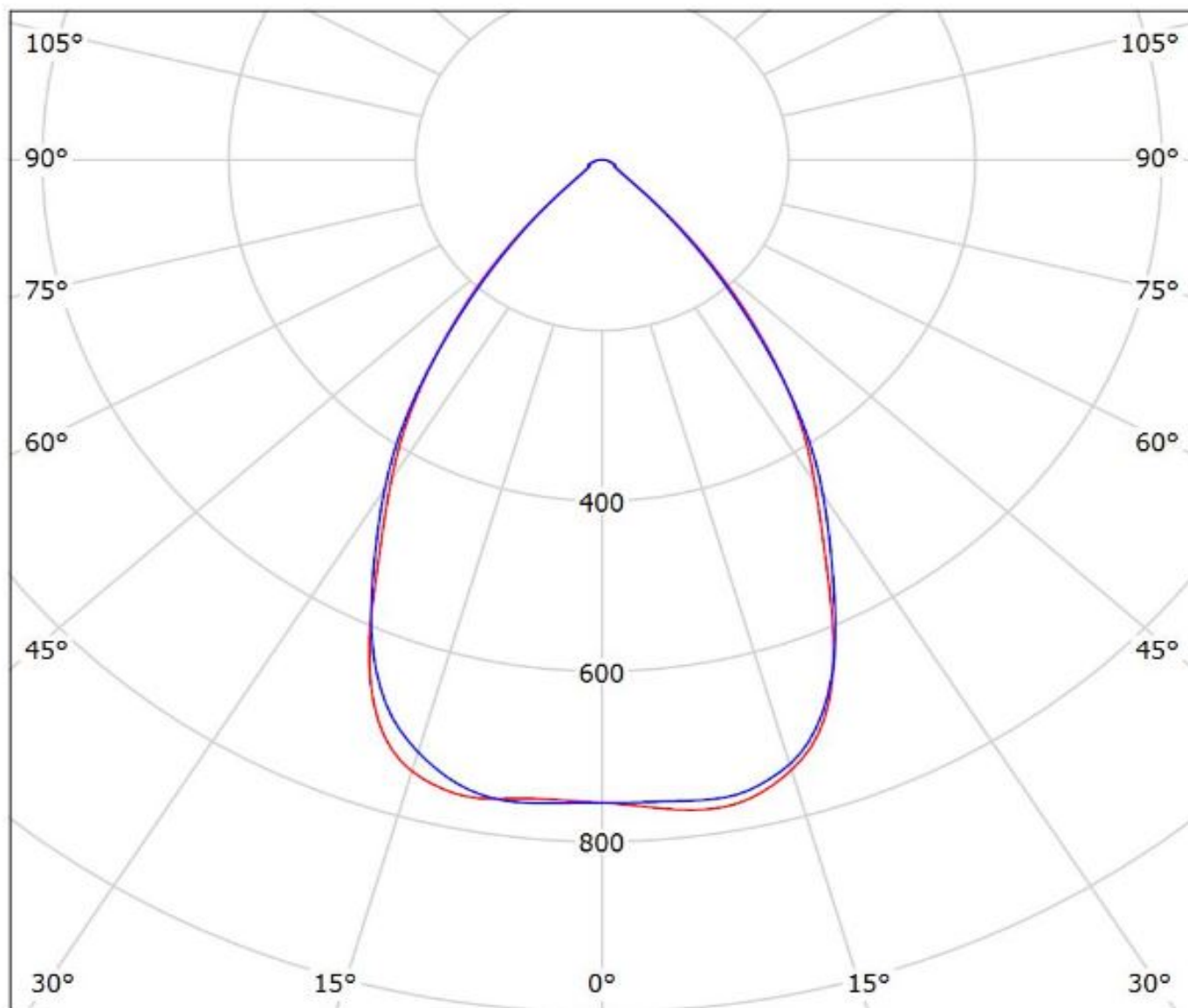
— C0 - C180 — C90 - C270

$\eta = 92\%$

Luminaire: Ledil FN15186_STELLA-HB_(CXM-22_+BW)

Lamps: 1 x LUMINUS_CXM-

22_+Bender&Wirth_431TypL3_1259.61lm@250mA_P=8.0332W_CCT=3000K_I=0.25A



cd/klm

— C0 - C180 — C90 - C270

$\eta = 94\%$

NOTE: The typical divergence will be changed by different color, chip size and chip position tolerance. The typical total divergence is the full angle measured where the luminous intensity is half of the peak value.

GENERAL INFORMATION

- Product series especially designed & optimized for series of LEDs.
- Special care taken to make light distribution as uniform as possible.

Note! Due to use of high power COB's with this product, special attention to proper thermal design is highly recommended. LEDiL has no liability for direct, indirect or consecutive damages arising from the LEDiL products being used outside of the recommended temperature range.