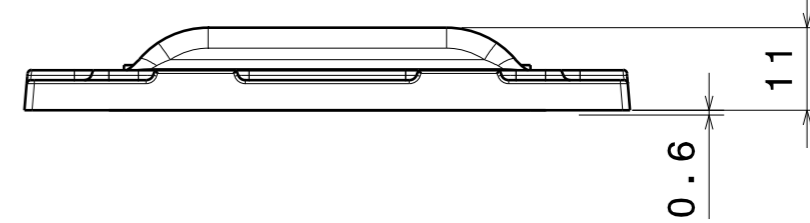
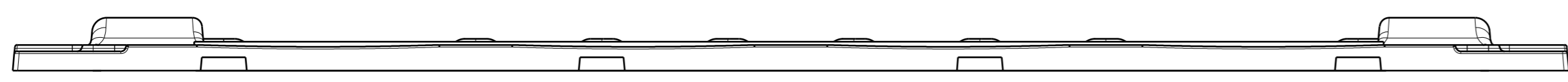
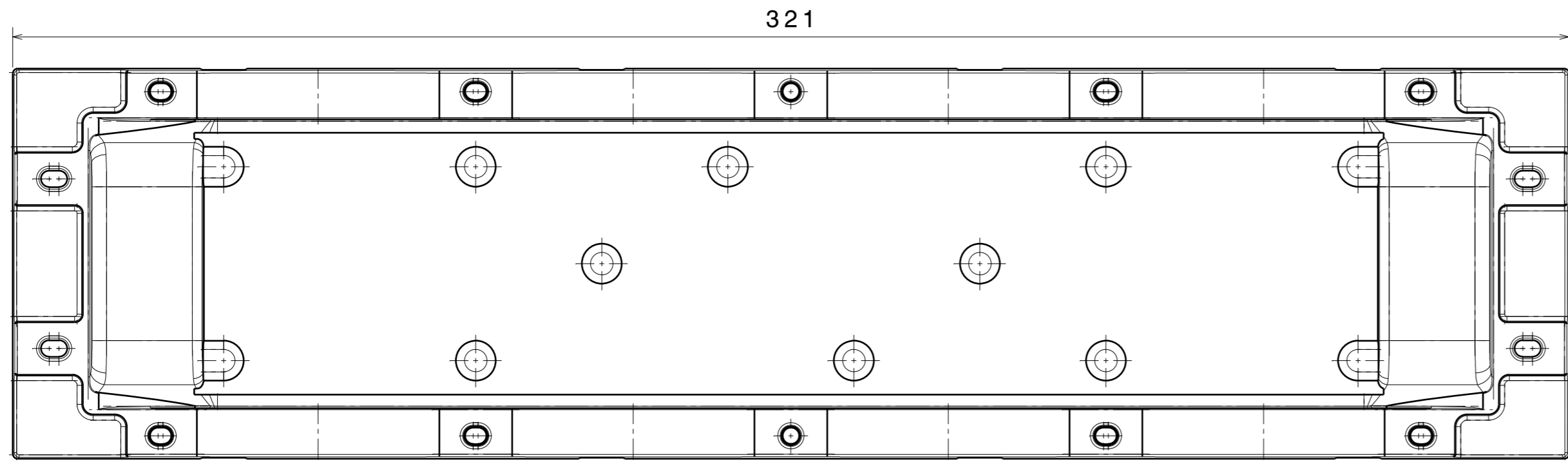


Section B-B
Detail C



11
0.6



80.5

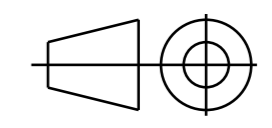
COMPONENTS

Product1_				
INDEX	PART	TYPE	MATERIAL	COLOR / COATING
1	C16617-Dahlia-TL110_Lens			
2	C16618_Dahlia-seal			

MECHANICAL DRAWING

PRODUCT CS16619-DAHLIA-TL110

Plastic moulding general tolerances according to DIN 16901-130 and applies if not otherwise shown in the drawing. Silicone moulding general tolerances according to ISO 3302-1 Class M3 and applies if not otherwise shown in the drawing.

FIRST ANGLE PROJECTION:


SCALE 1:1

WEIGHT 65 g



A2 SHEET 1/1



This drawing is the property of LEDiL Oy. It may not be copied or otherwise distributed without prior written permission from LEDiL Oy.

To ensure intended level of ingress protection, please make sure that the silicone seal is correctly in place before installation.

Notes

	PCB or heatsink level.
	LED location.
	Ensure LED fitting from a product specific 3D model available from www.ledil.com .
	For more details about installation please see LEDiL Installation Guide on www.ledil.com