

Assembly with F16142_HEKLA-SOCKET-K,
B&W 489 Typ L8, and COB LED on heat
sink

Isometric view
Scale: 2:1

F16142_HEKLA-SOCKET-K

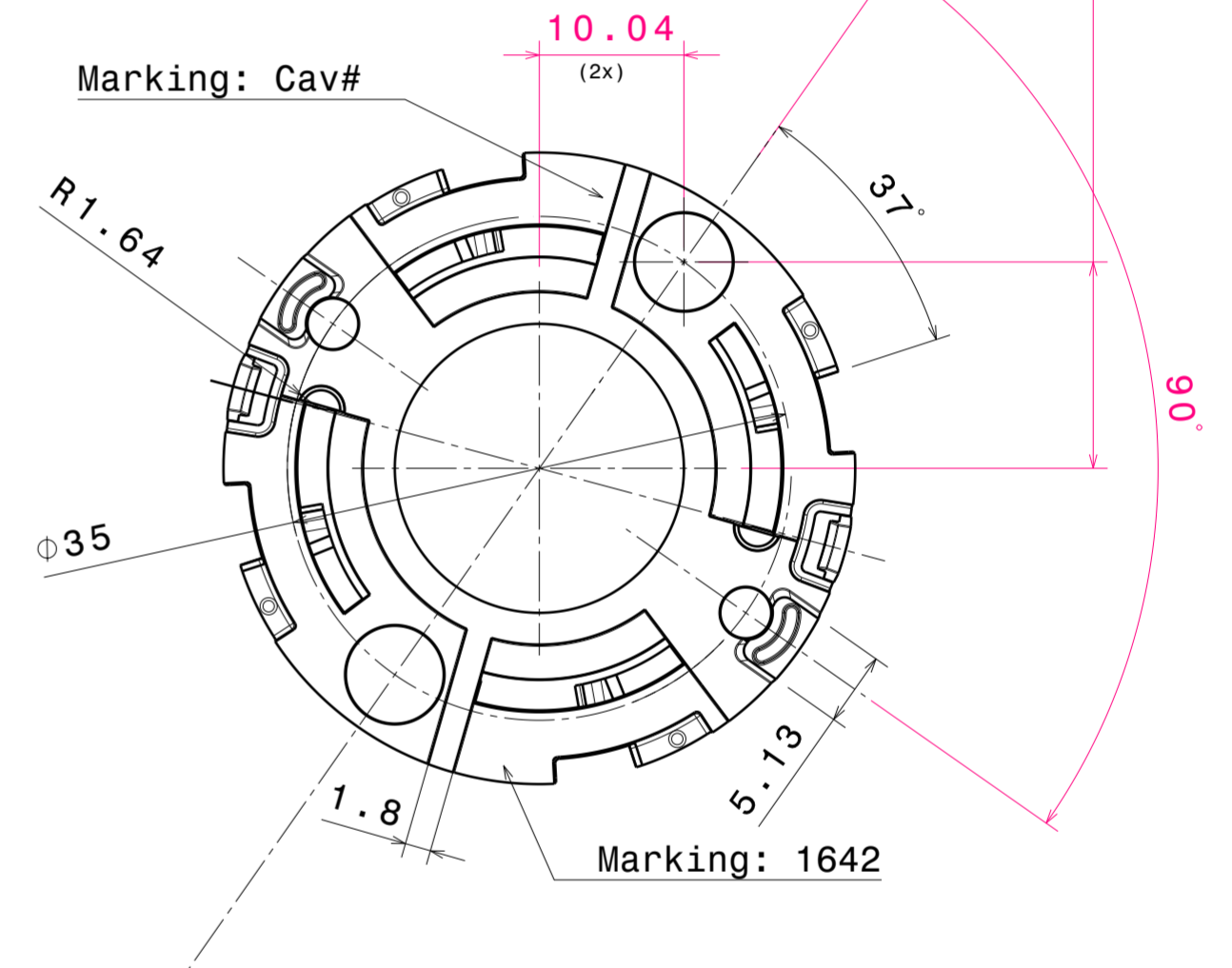
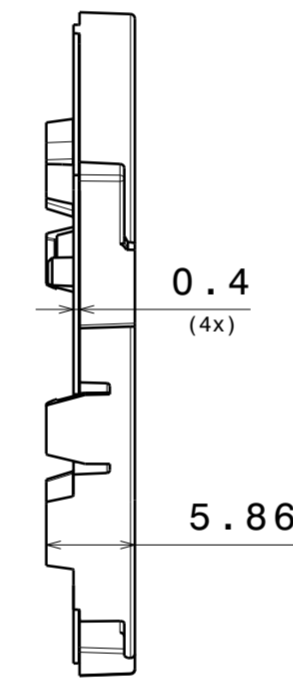
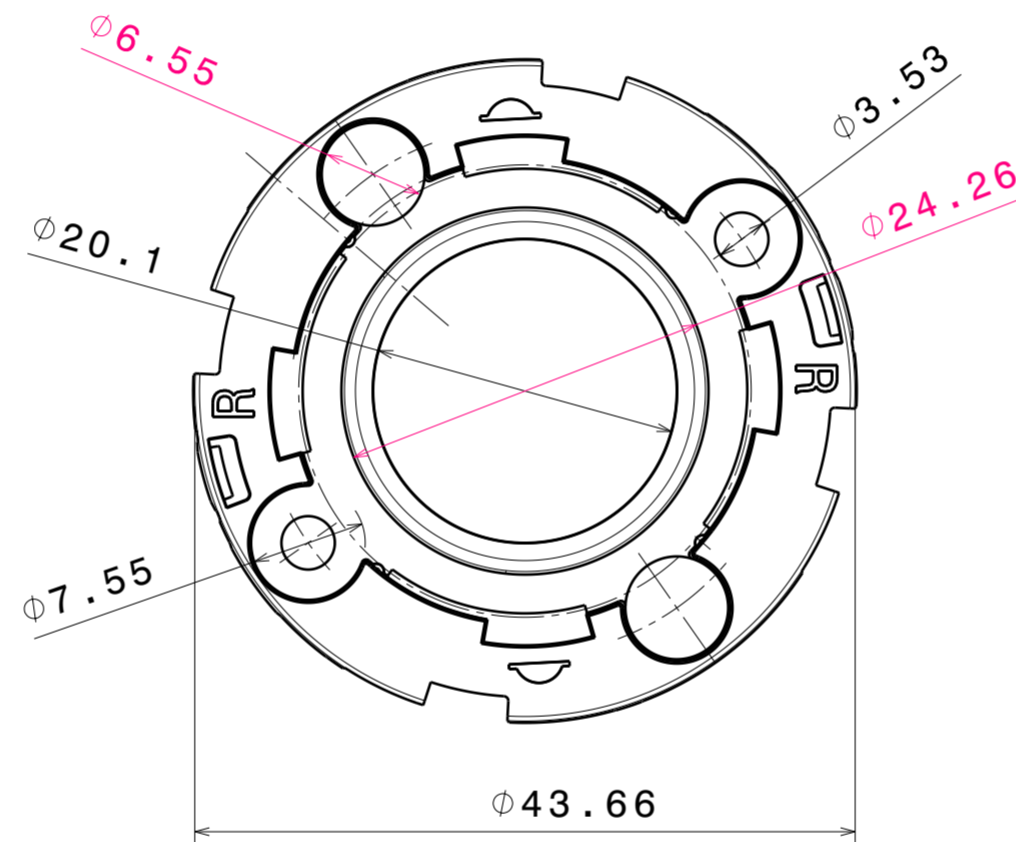
NOTE: HEKLA-K can be
pre-assembled to the
connector

**BENDER
+WIRTH**

B&W 489 Typ L8

COB LED

HEAT SINK



Notes

Ensure LED fitting from a product specific 3D model available from www.ledil.com
For more details about installation please see LEDiL Installation Guide on www.ledil.com

<http://bender-wirth.com/katalog/Ledil-Hekla-tec-data.pdf>

PART	TYPE	MATERIAL	COLOR / COATING
F16142._HEKLA-SOCKET-K		PC	white

MECHANICAL DRAWING		LEDiL [®]
PRODUCT		
HEKLA		This drawing is the property of LEDiL Oy. It may not be copied or otherwise distributed without prior written permission from LEDiL Oy.
Plastic moulding general tolerances according to DIN 16901-130 and applies if not otherwise shown in the drawing. Silicone moulding general tolerances according to ISO 3302-1 Class M3 and applies if not otherwise shown in the drawing.	FIRST ANGLE PROJECTION: 	
SCALE 2 : 1	WEIGHT -	A2 SHEET 1/1