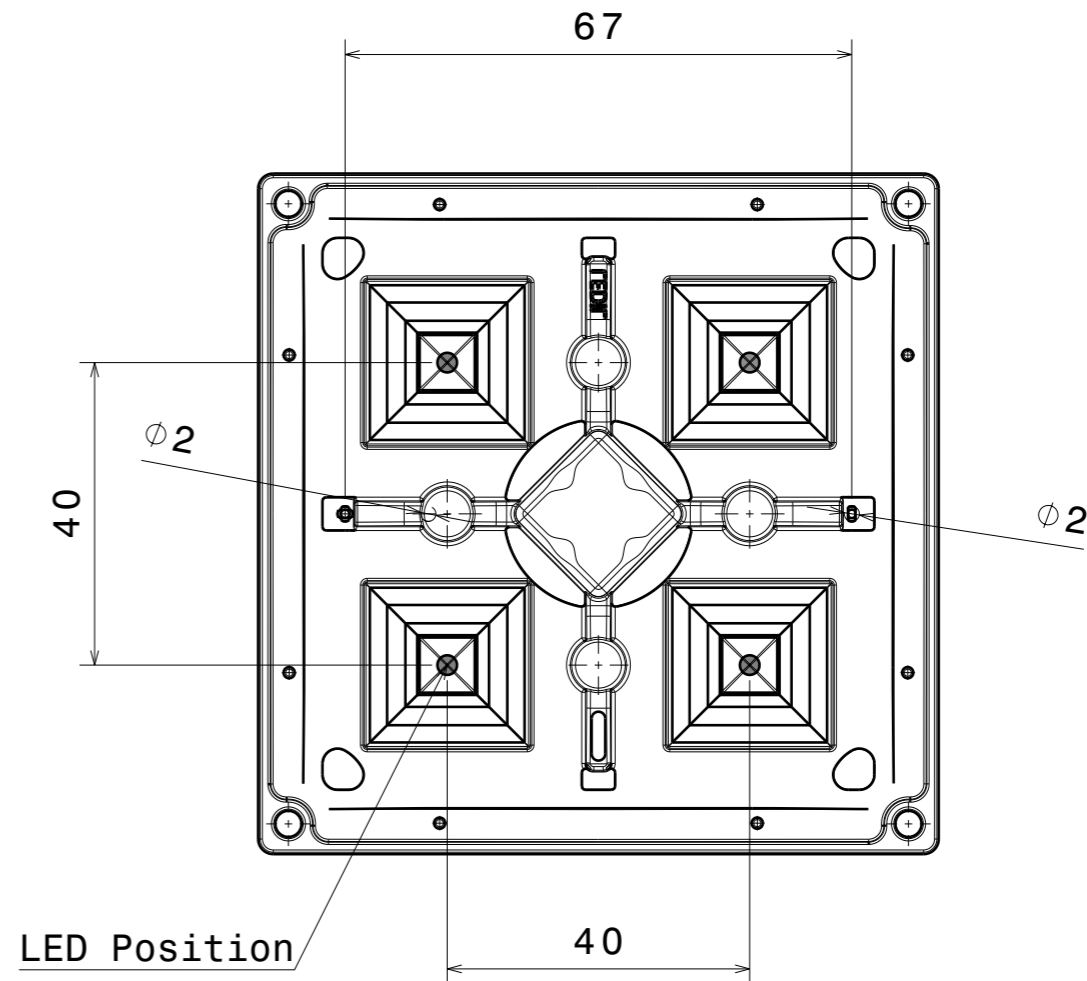
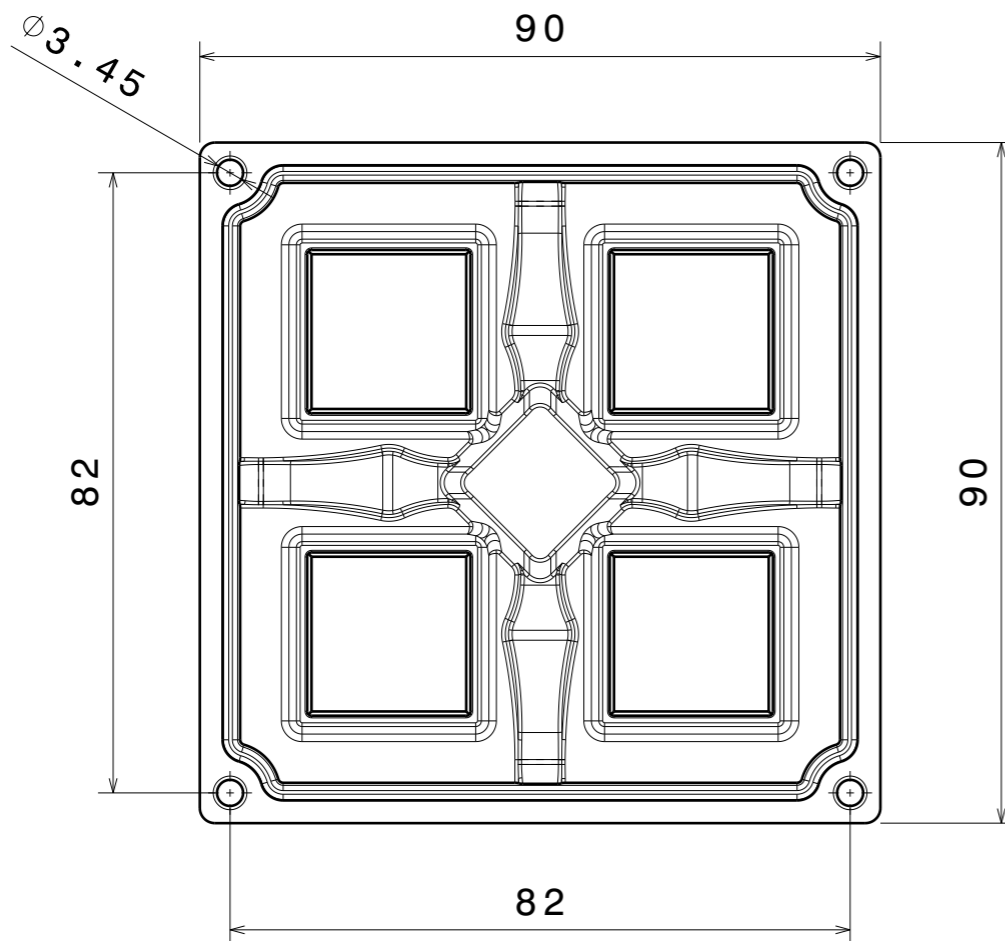


Bottom view

16.89



LED Position

INDEX	PART NO	DESCRIPTION	MATERIAL	COLOUR
1	C14695	HB-2X2MX-W	PMMA	

Tolerances if not otherwise shown
 According to DIN ISO 2768-1
 Linear measures:
 up to 30mm class M, otherwise class C
 According to DIN ISO 2768-2
 Form and position: class L



Ledil Oy
 Salorankatu 10
 FIN 24240 SALO
 Finland

THIRD ANGLE PROJECTION:

DRAWING TITLE
DATASHEET_HB-2X2MX-W

This drawing is the property
 of LEDiL Oy. It may not be
 reproduced, copied or
 communicated without a written
 agreement with LEDiL Oy.

SIZE	PART NUMBER	SCALE	WEIGHT	SHEET
A3	C14695	1:1	-	1/1

Mouser Electronics

Authorized Distributor

Click to View Pricing, Inventory, Delivery & Lifecycle Information:

Ledil:

[C14695_HB-2X2MX-W](#)