

DETAILS

Product Number	C14501_STRADELLA-T3
Family	Stradella
Type	Lens
Color	clear
Diameter	13,9 x 13,9 mm
Height	4,96 mm
Style	square
Optic Material	PMMA
Holder Material	
Fastening	pin, glue
Status	production ready
ROHS Compliant	Yes
Date Updated	11/05/2016



OPTICAL PROPERTIES

LED	Viewing Angle	Light Beam	Efficiency	cd/lm	Connector
XT-E	asymmetric deg	Streetligh...	94 %	0.650	-
XP-G2	Asymmetric deg	Streetligh...	94 %	0.660	-
NVSxx19B/NVSxx19C	sim: Asym	Streetligh...	sim: 91 %	sim: 0.590	-
XP-G3	sim: Asym	Streetligh...	sim: 90 %	sim: 0.520	-

D

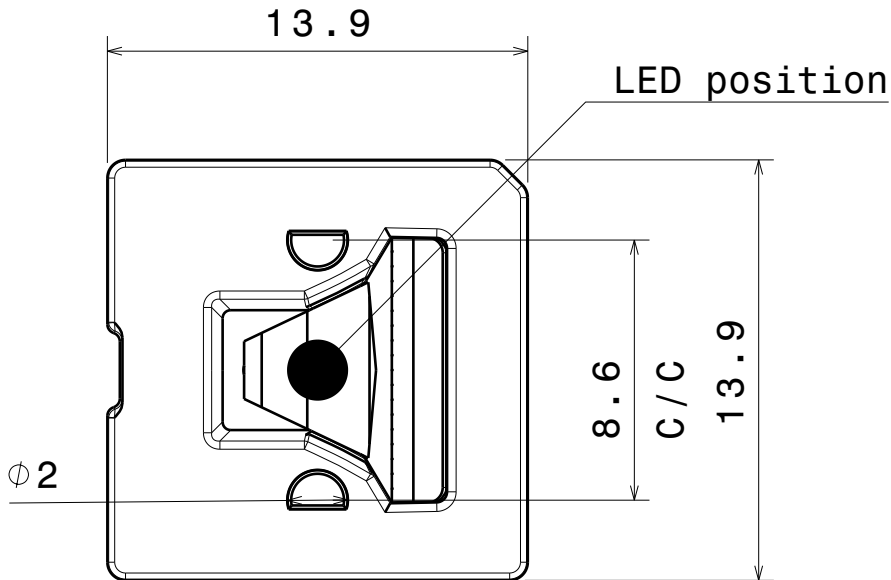
C

B

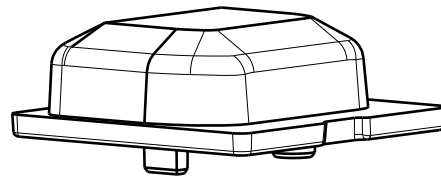
A

4

4



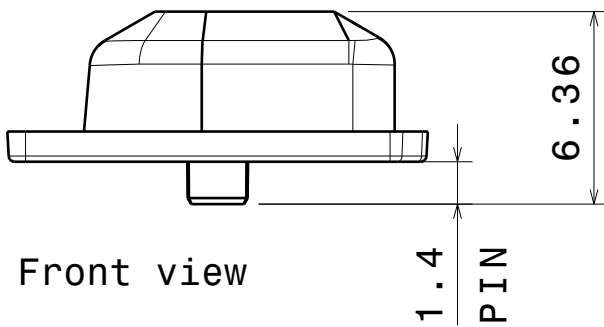
Bottom view



Isometric view
Scale: 3:1

3

3



Front view

2

2

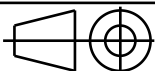
INDEX	PART NO	DESCRIPTION	MATERIAL	COLOUR
1	C14501	STRADELLA-T3	PMMA	

Tolerances if not otherwise shown
According to DIN ISO 2768-1
Linear measures:
up to 30mm class M, otherwise class C
According to DIN ISO 2768-2
Form and position: class L

LEDiL

Ledil Oy
Salorankatu 10
FIN 24240 SALO
Finland

THIRD ANGLE PROJECTION:



DRAWING TITLE

C14501_STRADELLA-T3

This drawing is the property
of LEDiL Oy. It may not be
reproduced, copied or
communicated without a written
agreement with LEDiL Oy.

SIZE PART NUMBER

A4

C14501

SCALE 4:1 WEIGHT 0,518 g SHEET 1/1

1

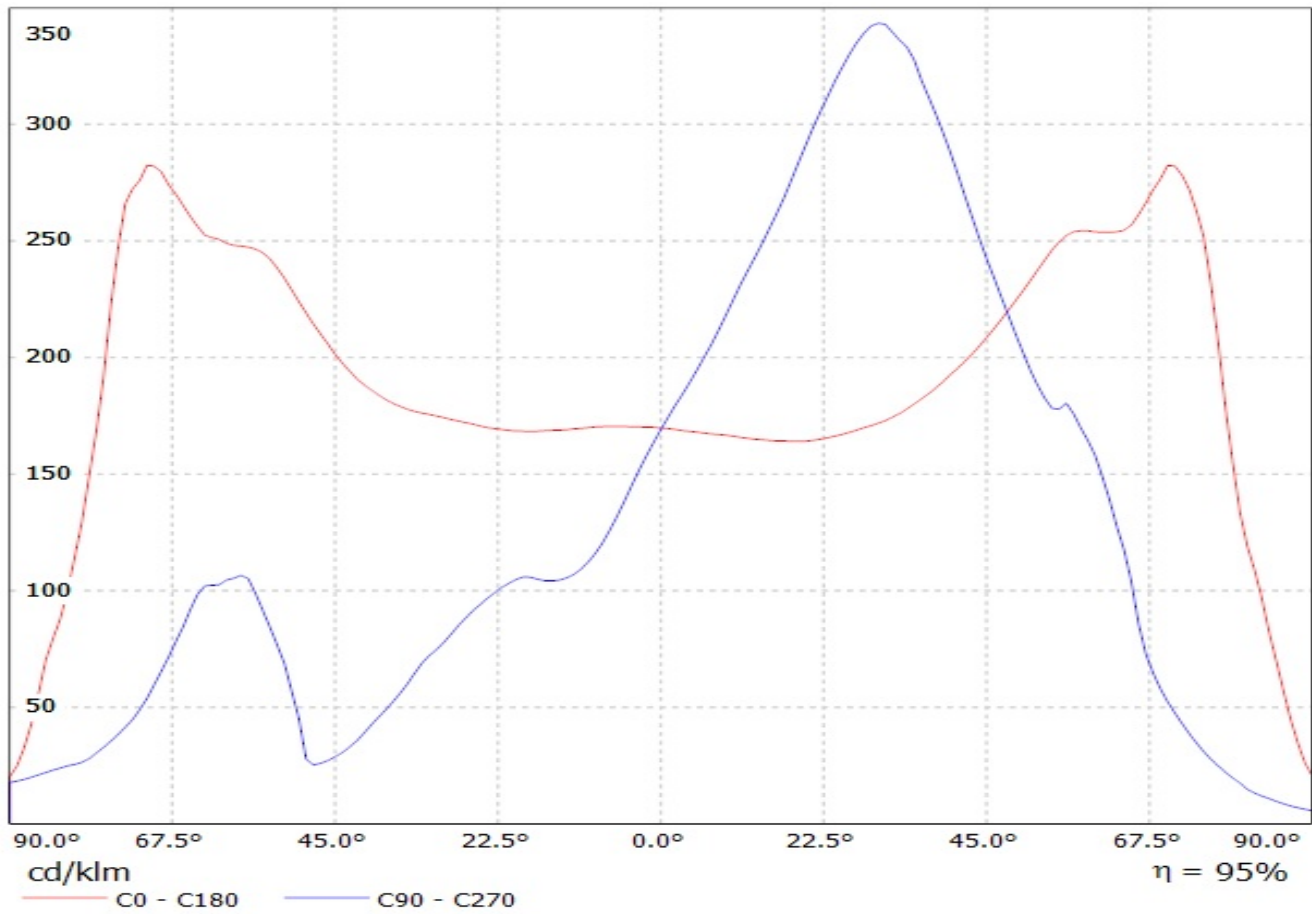
1

D

A

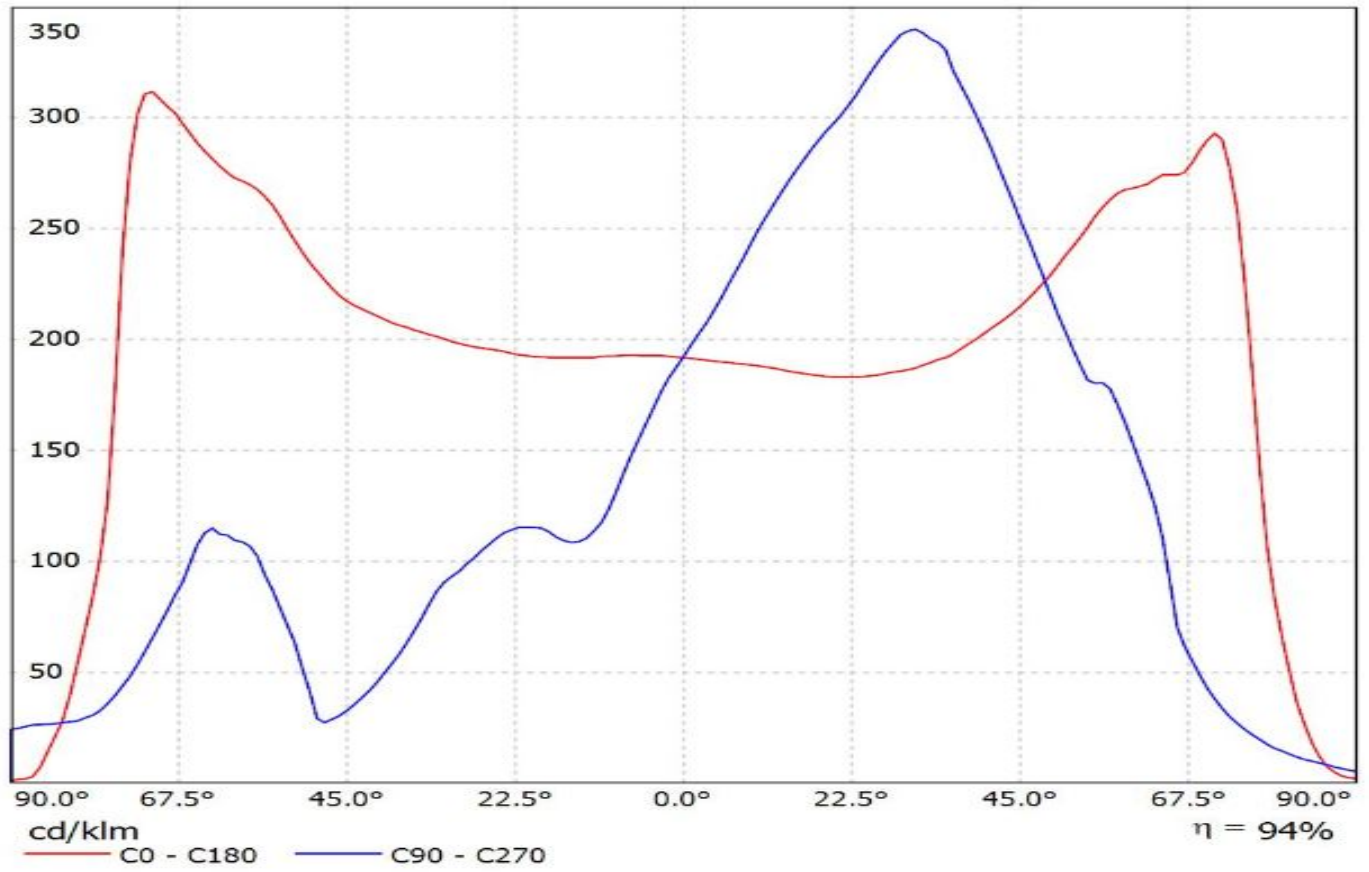
Luminaire: LEDiL Oy C14501_STRADELLA-T3_(XT-E)

Lamps: 1 x CREE_XT-E_(XTEAWT-0-2A0-R30-FB-0001)_98.1907lm@250mA_CCT=5453K_P=0.78W_I=0.25A

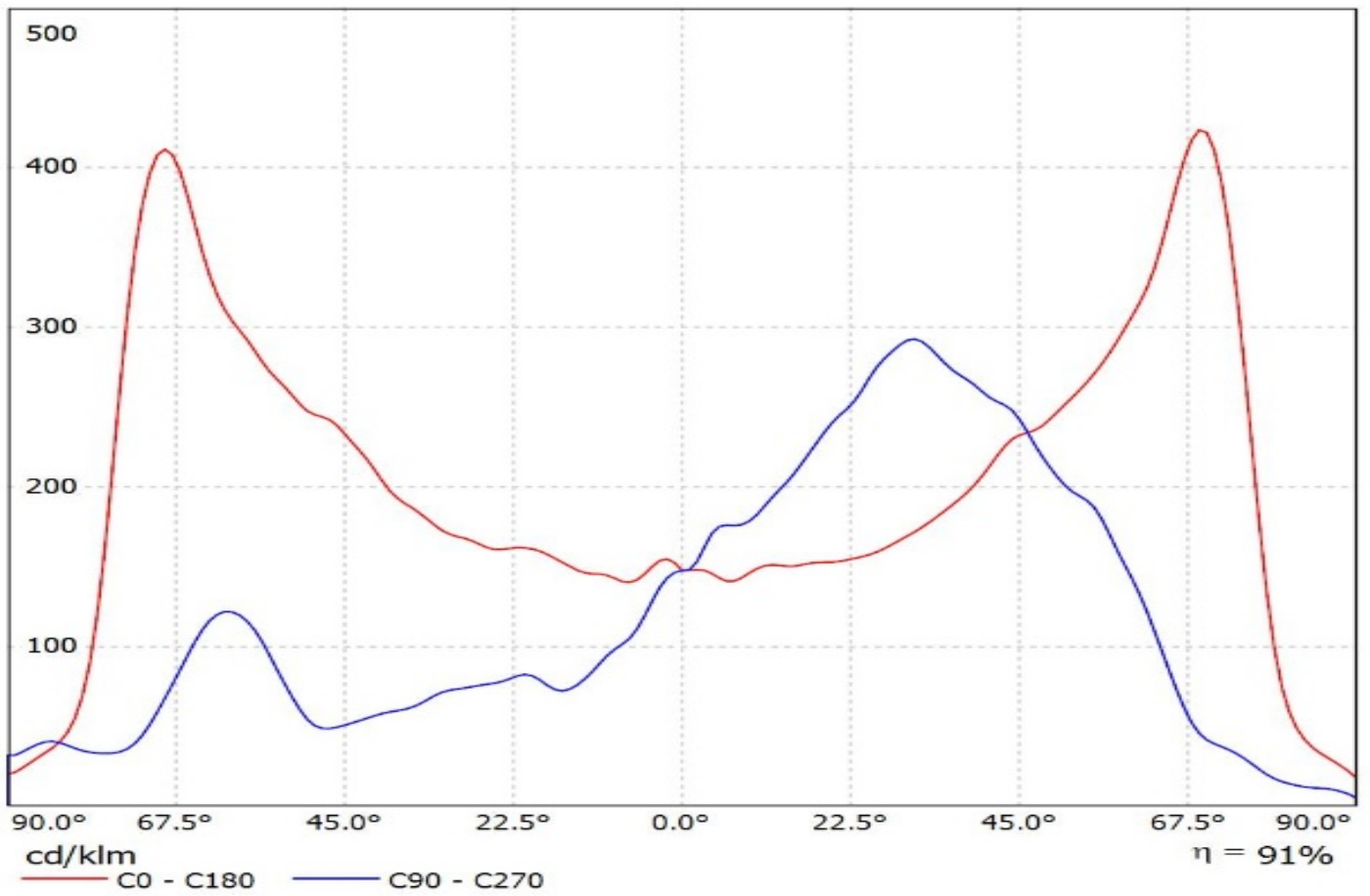


Luminaire: Ledil J14501_STRADELLA-T3_(XP-G2)

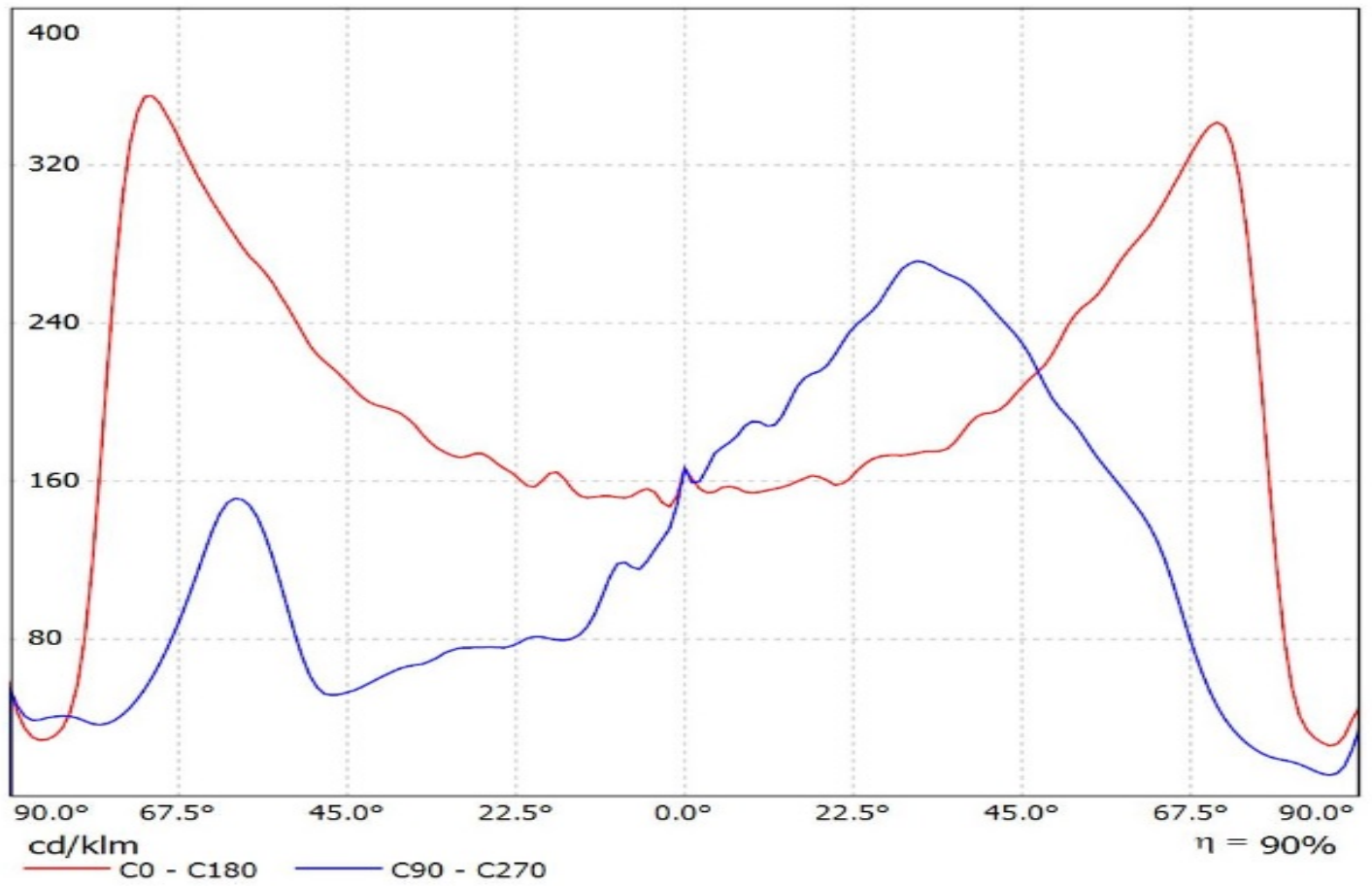
Lamps: 1 x Cree_XP-G2_105.471lm@250mA_CCT=6596K_P=0.7643W_I=0.250mA



Luminaire: Ledil Oy C14501_STRADELLA-T3_(NVSx219C)_SIMULATED
Lamps: 1 x Nichia NVSxx19C (NVS219C)

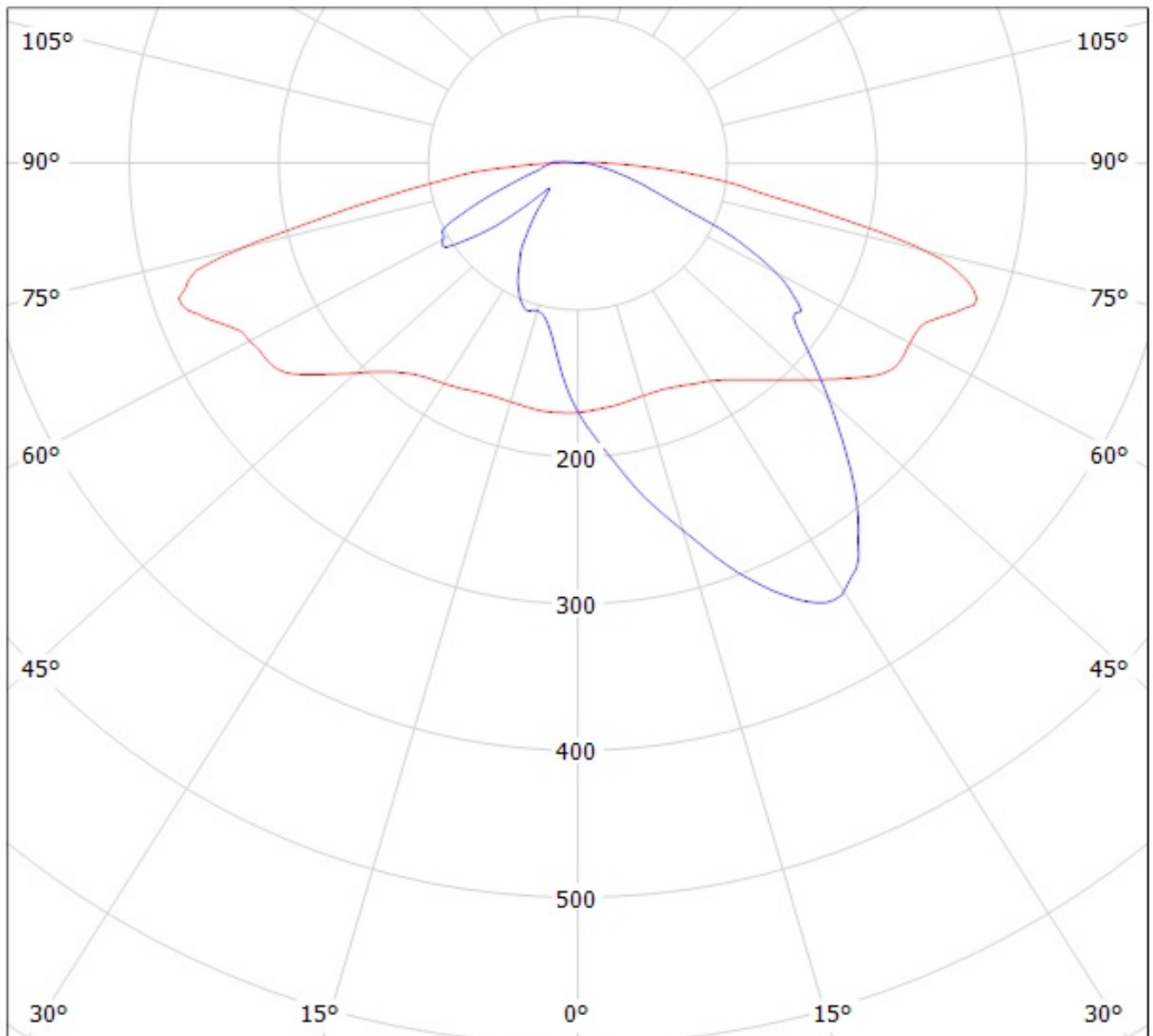


Luminaire: Ledil Oy C14501_STRADELLA-T3_(XP-G3)_SIMULATED
Lamps: 1 x Cree XP-G3



Luminaire: LEDiL Oy C14501_STRADELLA-T3_(XT-E)

Lamps: 1 x CREE_XT-E_(XTEAWT-0-2A0-R30-FB-0001)_98.1907lm@250mA_CCT=5453K_P=0.78W_I=0.25A



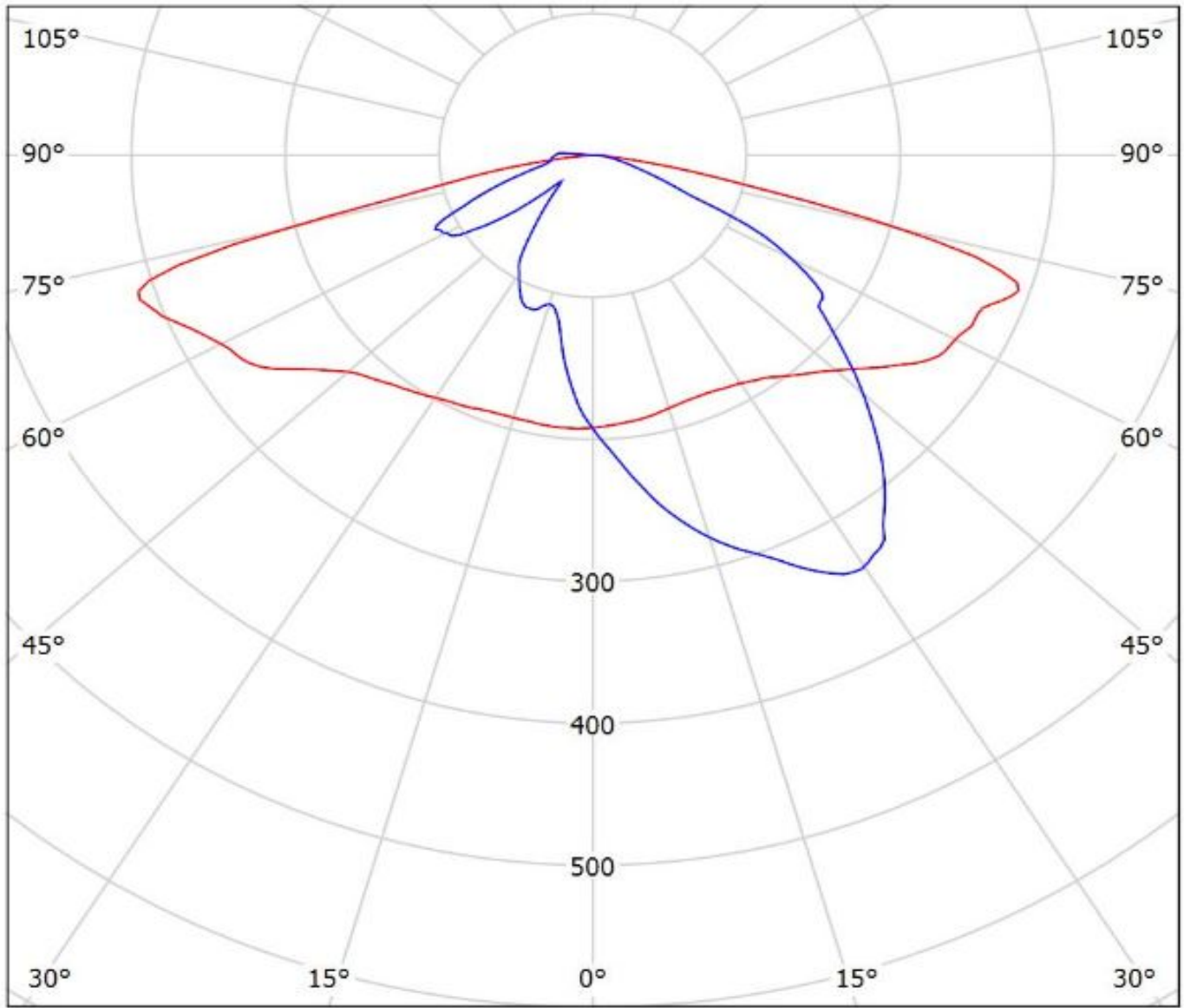
cd/klm

$\eta = 95\%$

— C0 - C180 — C90 - C270

Luminaire: Ledil J14501_STRADELLA-T3_(XP-G2)

Lamps: 1 x Cree_XP-G2_105.471lm@250mA_CCT=6596K_P=0.7643W_I=0.250mA

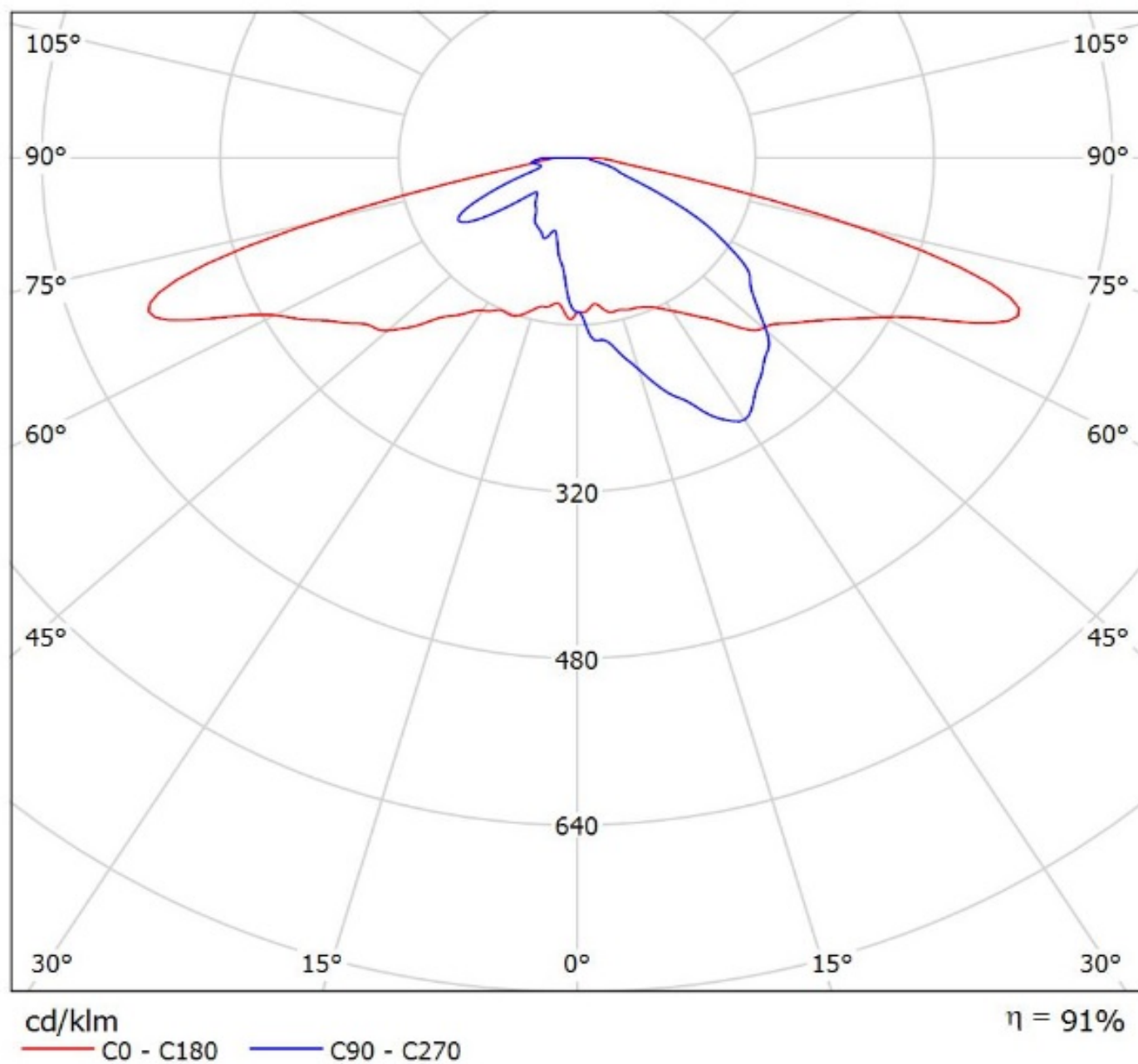


cd/klm

— C0 - C180 — C90 - C270

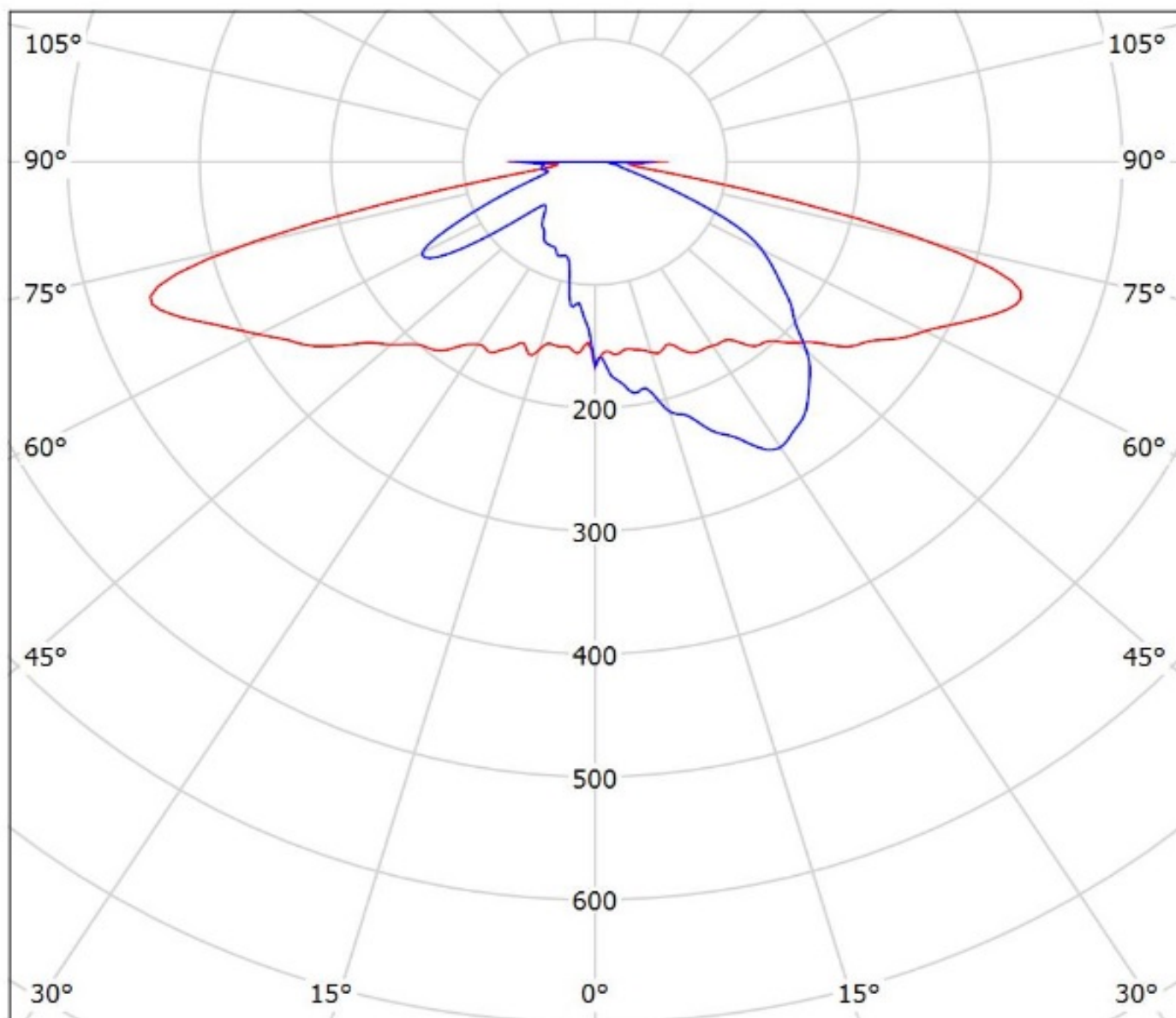
$\eta = 94\%$

Luminaire: Ledil Oy C14501_STRADELLA-T3_(NVSx219C)_SIMULATED
Lamps: 1 x Nichia NVSxx19C (NVSW219C)



Luminaire: Ledil Oy C14501_STRADELLA-T3_(XP-G3)_SIMULATED

Lamps: 1 x Cree XP-G3



cd/klm

— C0 - C180

— C90 - C270

$\eta = 90\%$

NOTE: The typical divergence will be changed by different color, chip size and chip position tolerance. The typical total divergence is the full angle measured where the luminous intensity is half of the peak value.