

## DETAILS

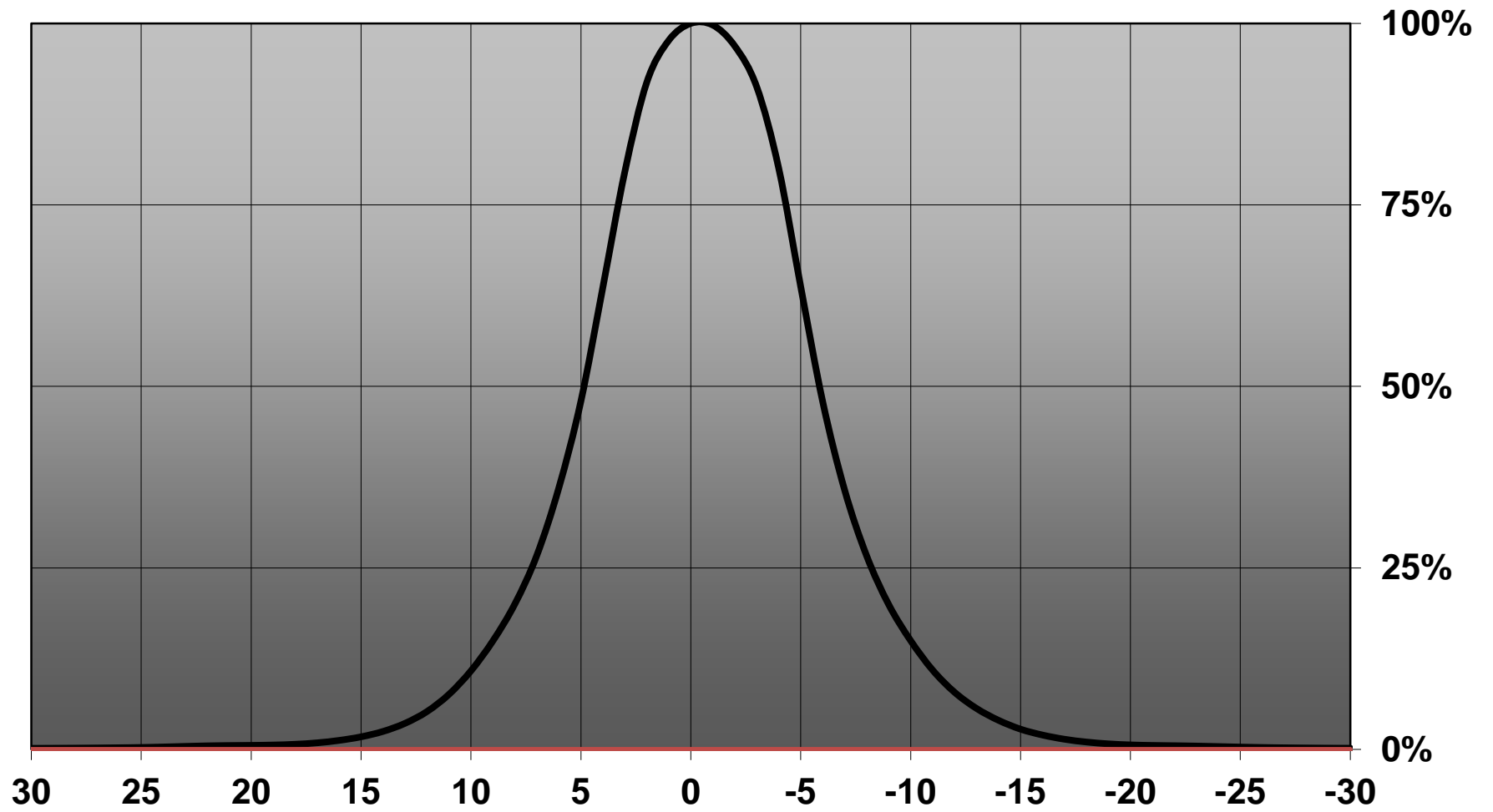
<b>Product Number</b>	C13236_SANDRA-12-S
<b>Family</b>	Sandra
<b>Type</b>	Lens array
<b>Color</b>	clear
<b>Diameter</b>	67 mm
<b>Height</b>	11,1 mm
<b>Style</b>	round
<b>Optic Material</b>	PMMA
<b>Holder Material</b>	
<b>Fastening</b>	pin, glue
<b>Status</b>	ready
<b>ROHS Compliant</b>	Yes
<b>Date Updated</b>	3/01/2013



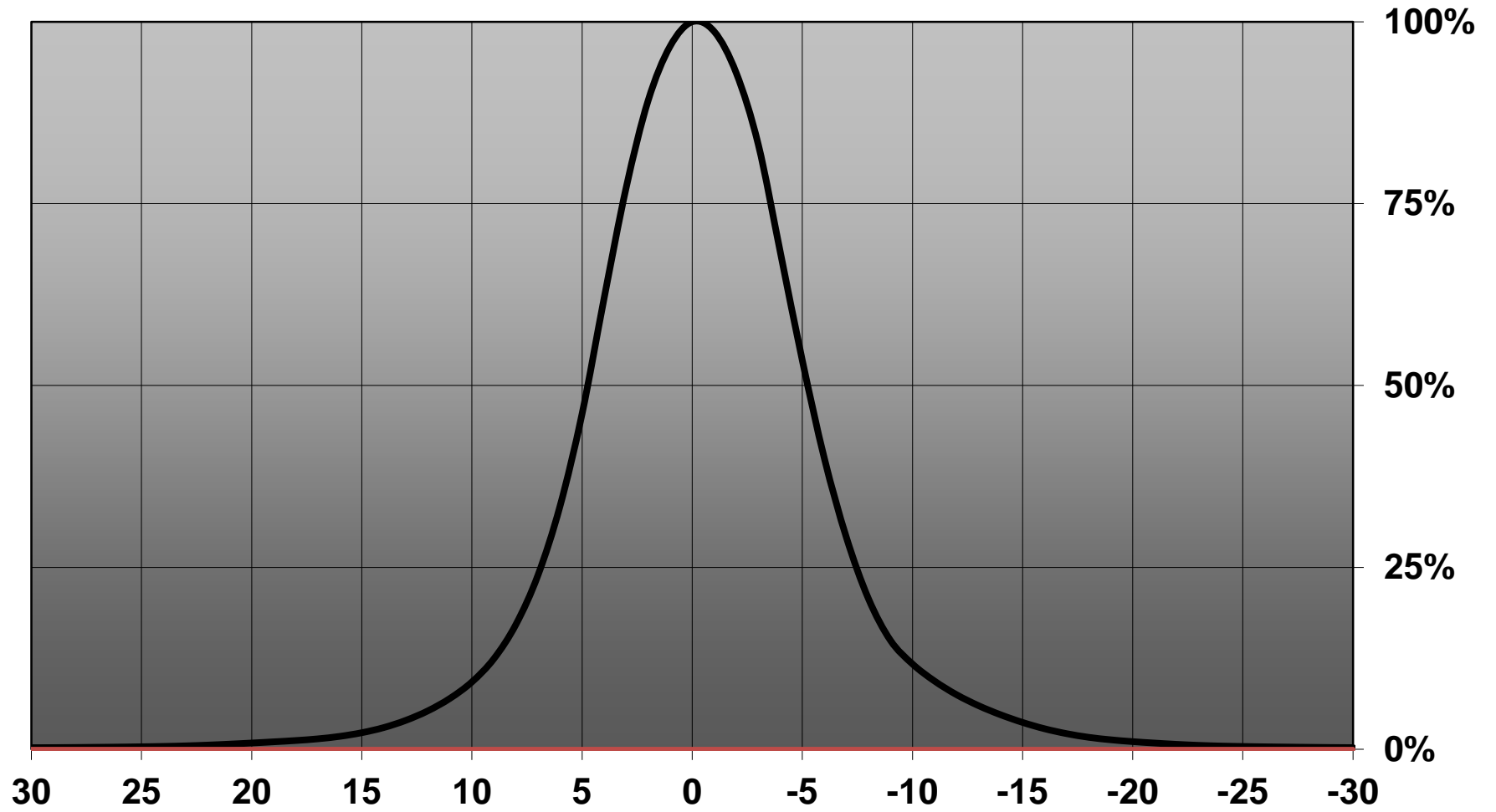
## OPTICAL PROPERTIES

LED	Viewing	Light	Effi-		Connector
	Angle	Beam	ciency	cd/lm	
XP-G2	sim: 13	Real spot	sim: 92 %	sim: 0.000	-
LUXEON Rebel	sim: 11.5	Real spot	sim: 91 %	sim: 0.000	-
LUXEON Rebel ES	sim: 16	Real spot	sim: 90 %	sim: 0.000	-
Oslon Square EC	sim: 13	Real spot	sim: 90 %	sim: 0.000	-
Oslon SSL 150	sim: 10	Real spot	sim: 91 %	sim: 0.000	-
XP-E	10 deg	Real spot	91 %	18.700	-
Oslon SSL 80	10 deg	Real spot	91 %	18.500	-
XP-E2	10 deg	Real spot	94 %	23.500	-
XP-G	15 deg	Real spot	93 %	9.500	-
NVSxx19A	15 deg	Real spot	90 %	9.300	-

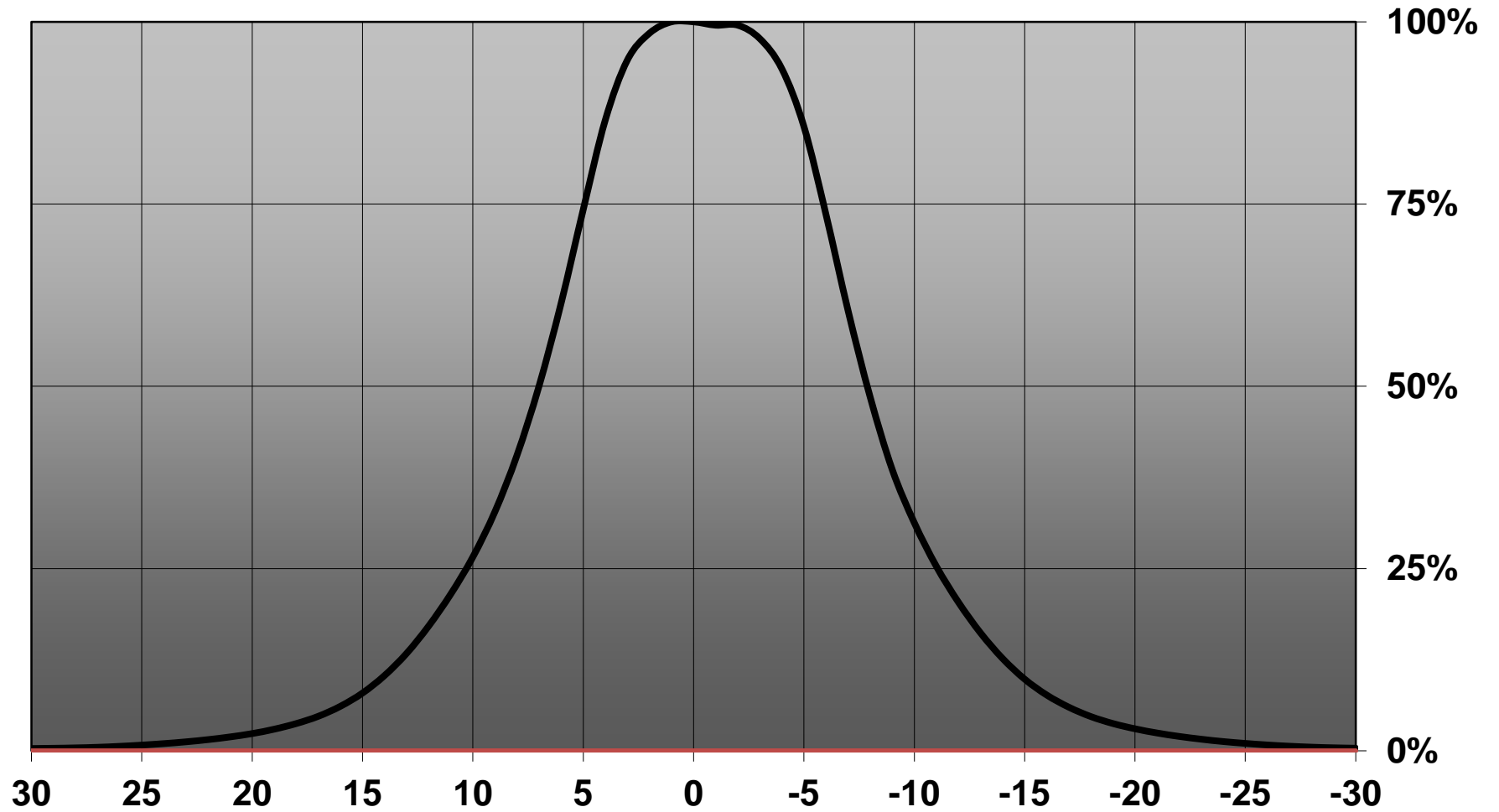
Relative intensity of C13236\_SANDRA-12-S-XPE



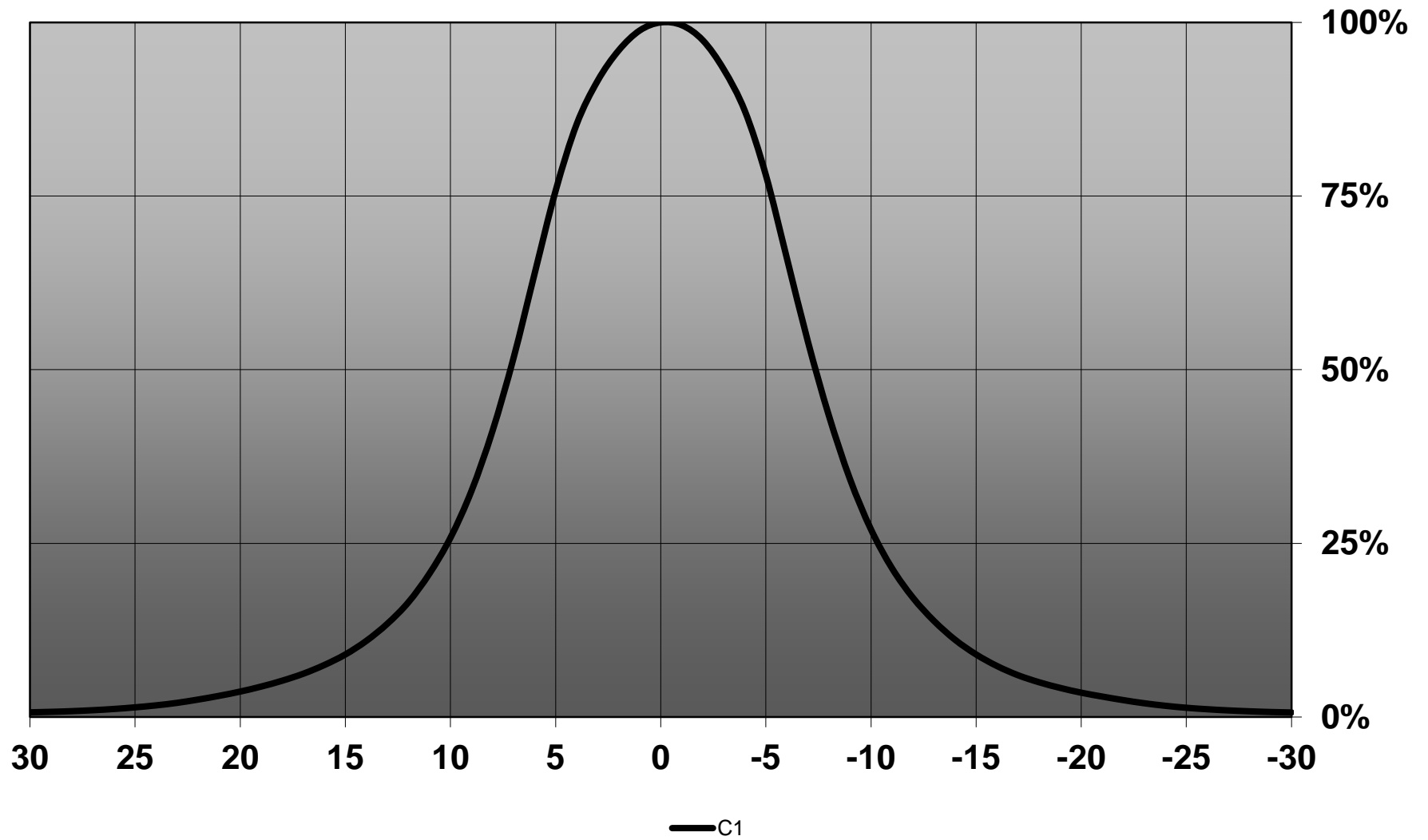
### Relative intensity of C13236\_SANDRA-12-S-OSL80

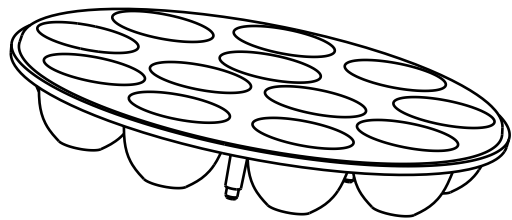


**Relative intensity of C13236\_SANDRA-12-S-XPG**

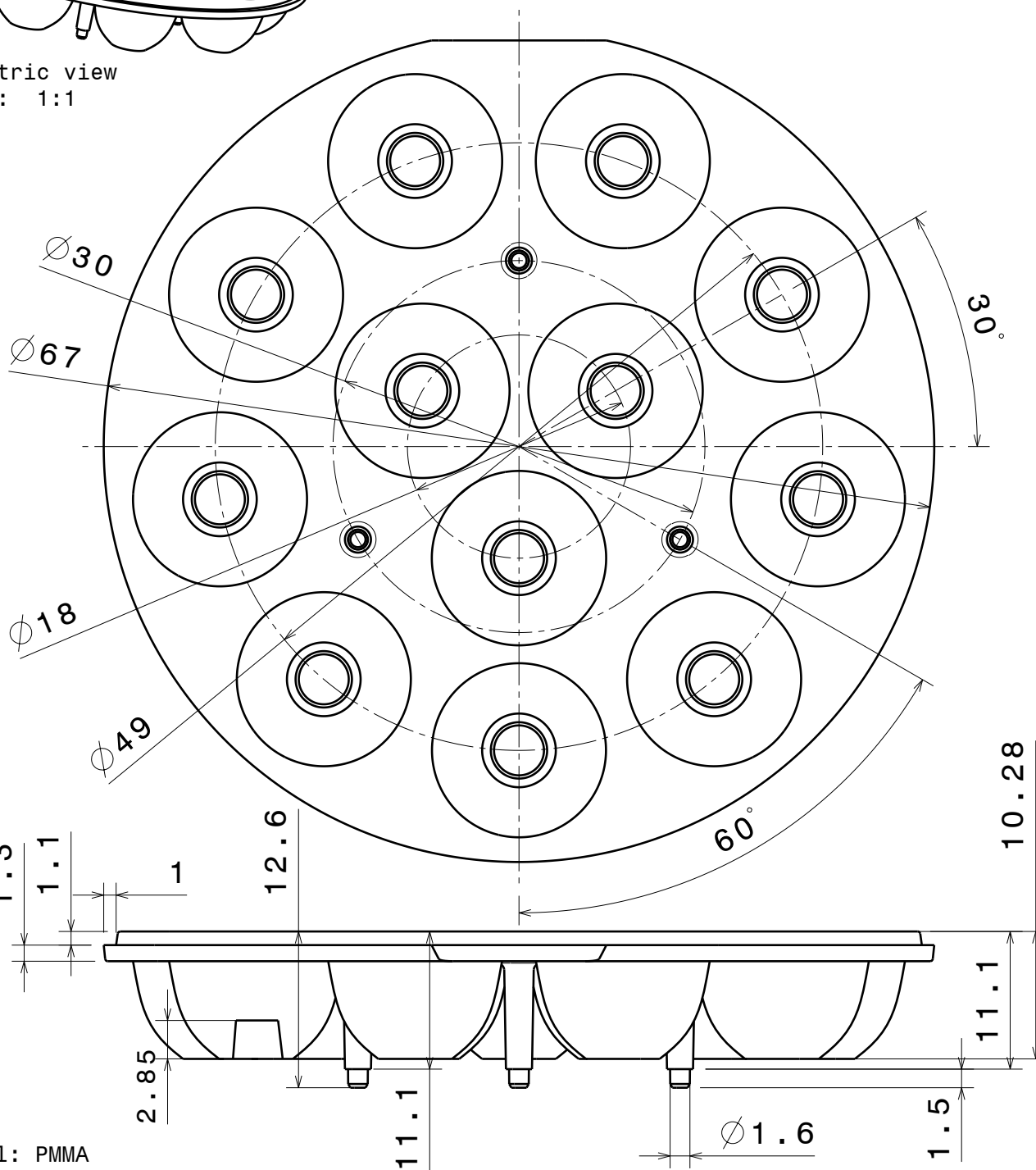


# Relative intensity of C13236\_SANDRA-12-S-NVS19





Isometric view  
Scale: 1:1



Material: PMMA

This drawing is our property.  
It can't be reproduced  
or communicated without  
our written agreement.



Ledil Oy  
Salorankatu 10  
FIN-24100 SALO  
Finland

DRAWING TITLE

Datasheet Sandra-12 series lens

DRAWN BY  
ah

DATE  
31.12.2012

CHECKED BY

DATE

SIZE  
A4

DRAWING NUMBER

-

REV  
1

DESIGNED BY  
hh

DATE  
27.08.2010

SCALE

2:1

WEIGHT (g)

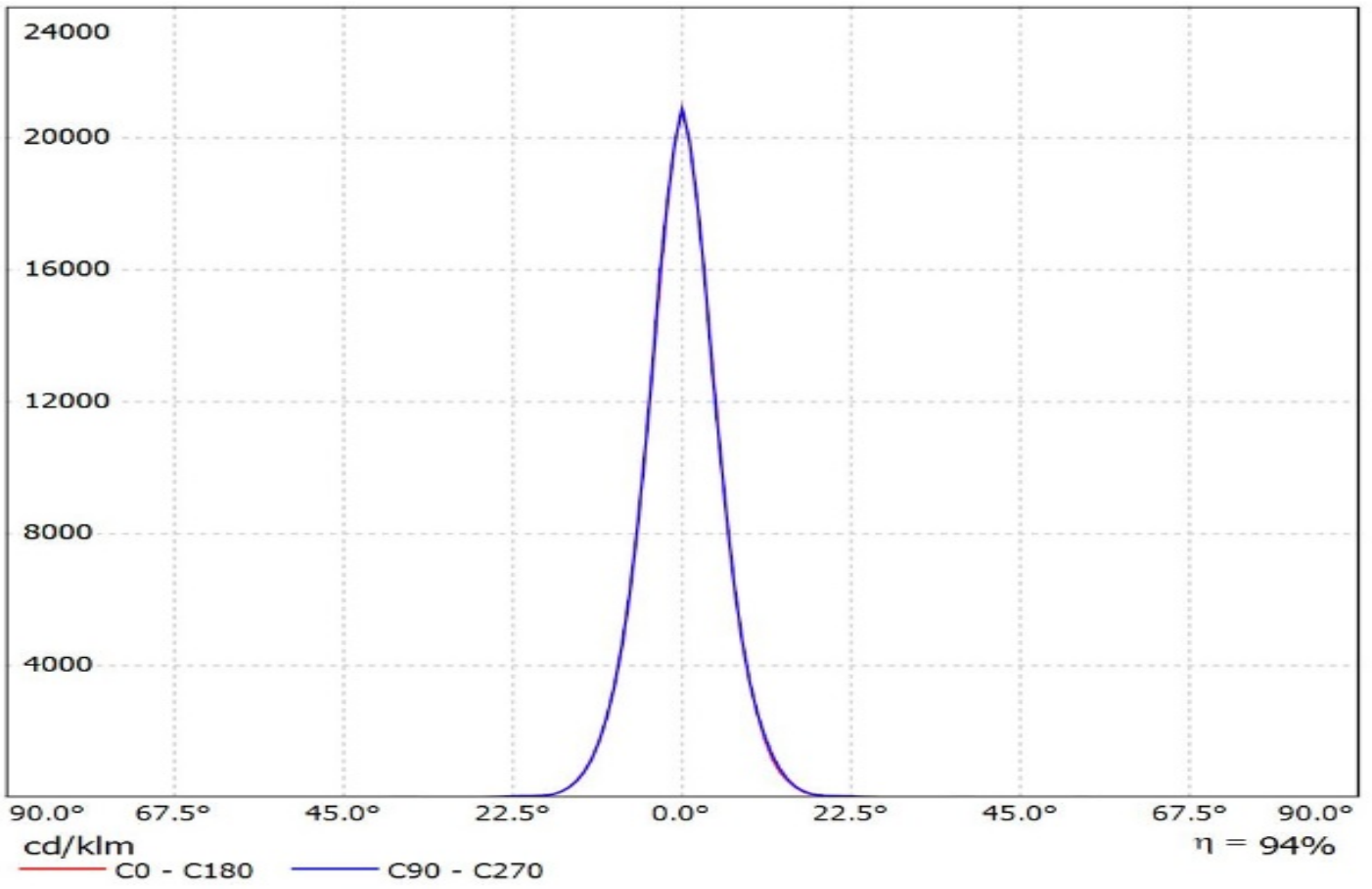
SHEET

1/1

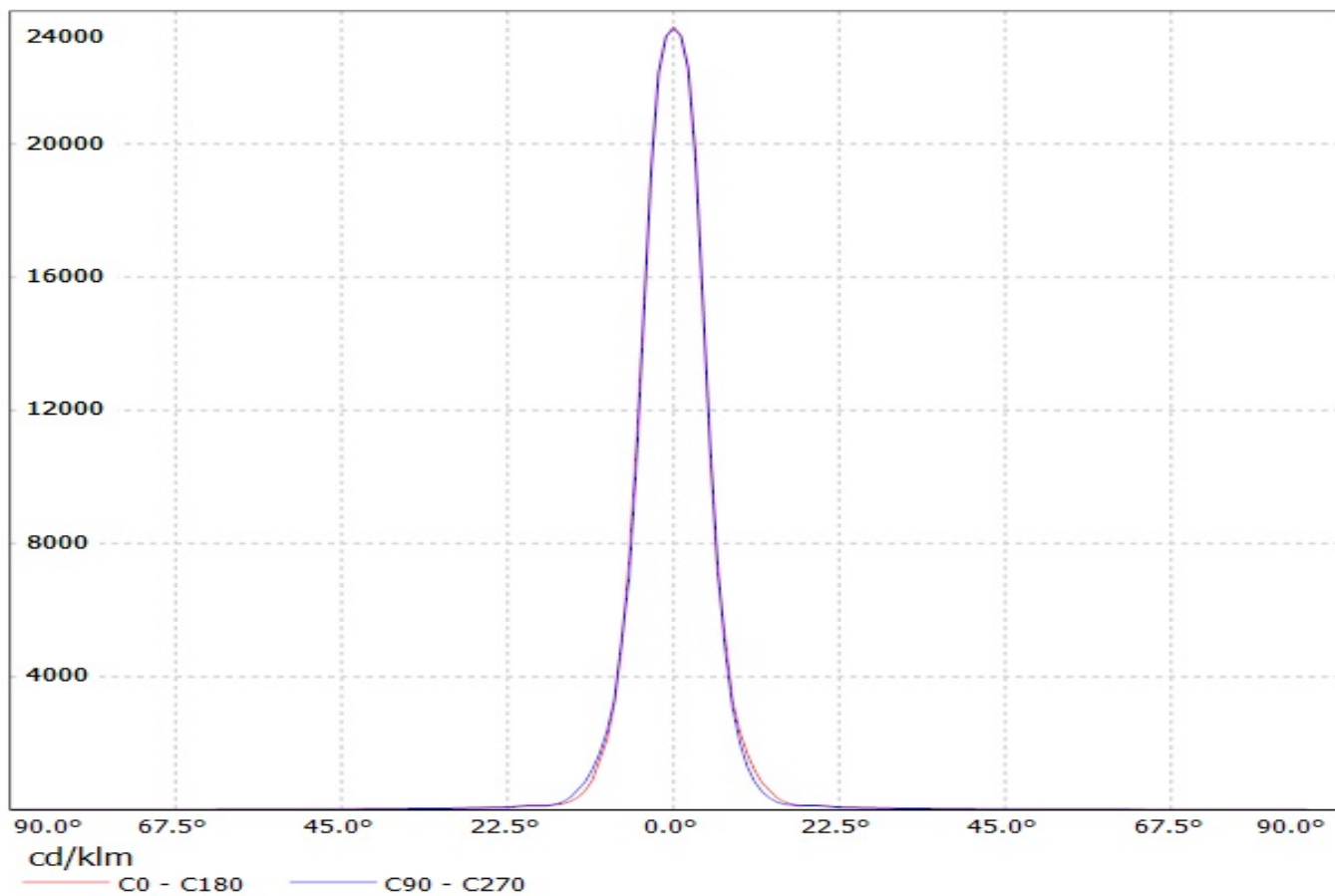
D

A

Luminaire: Ledil Oy C13236\_SANDRA-12-S\_(XP-E)\_SIMULATED  
Lamps: 1 x Cree XP-E

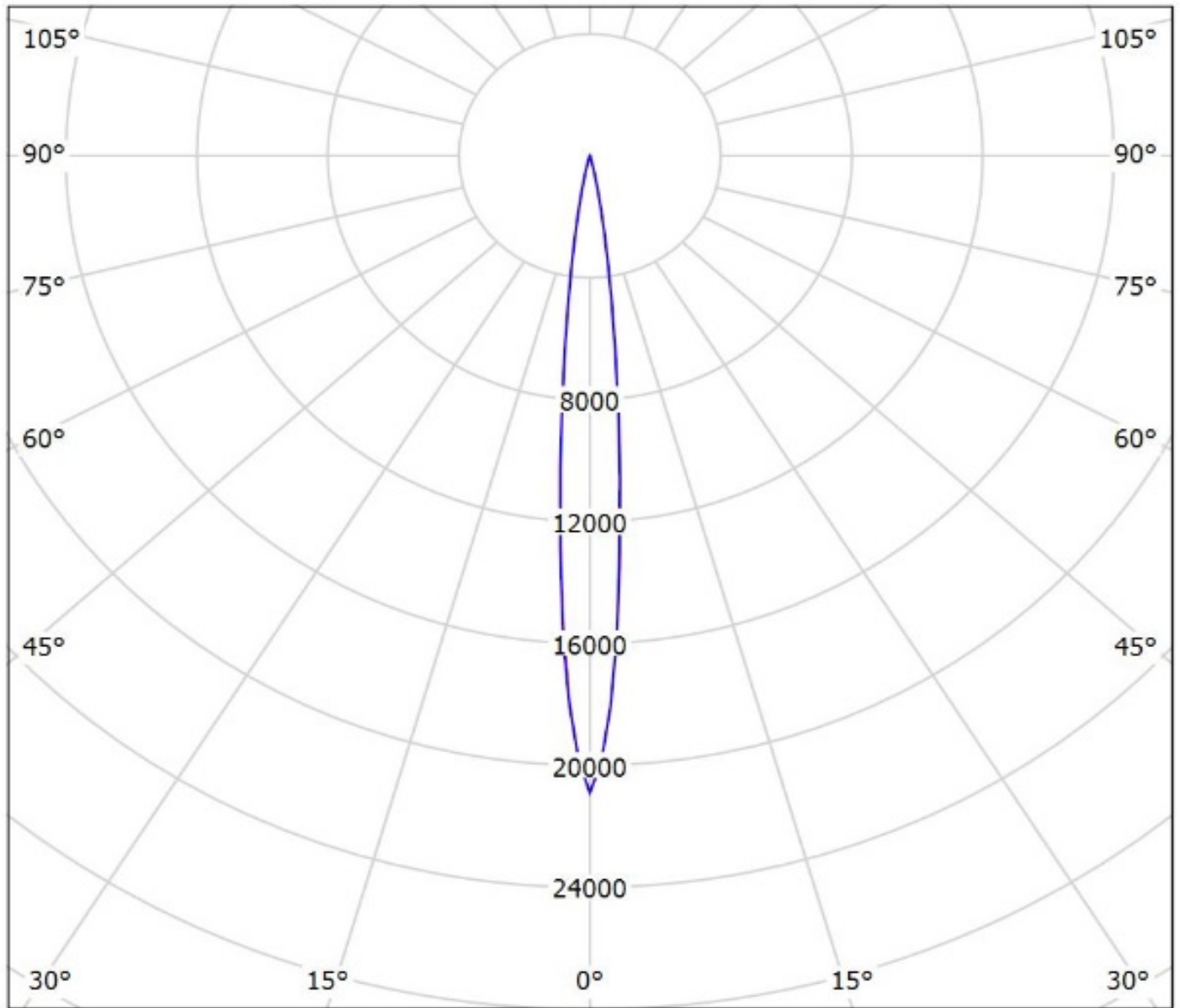


Luminaire: LEDiL Oy C13236\_SANDRA-12-S\_(XP-E2) Eff: 94%  
Lamps: 1 x CREE\_XP-E2\_x12\_1001.3lm@250mA\_P=8.66978W\_I=249.9mA





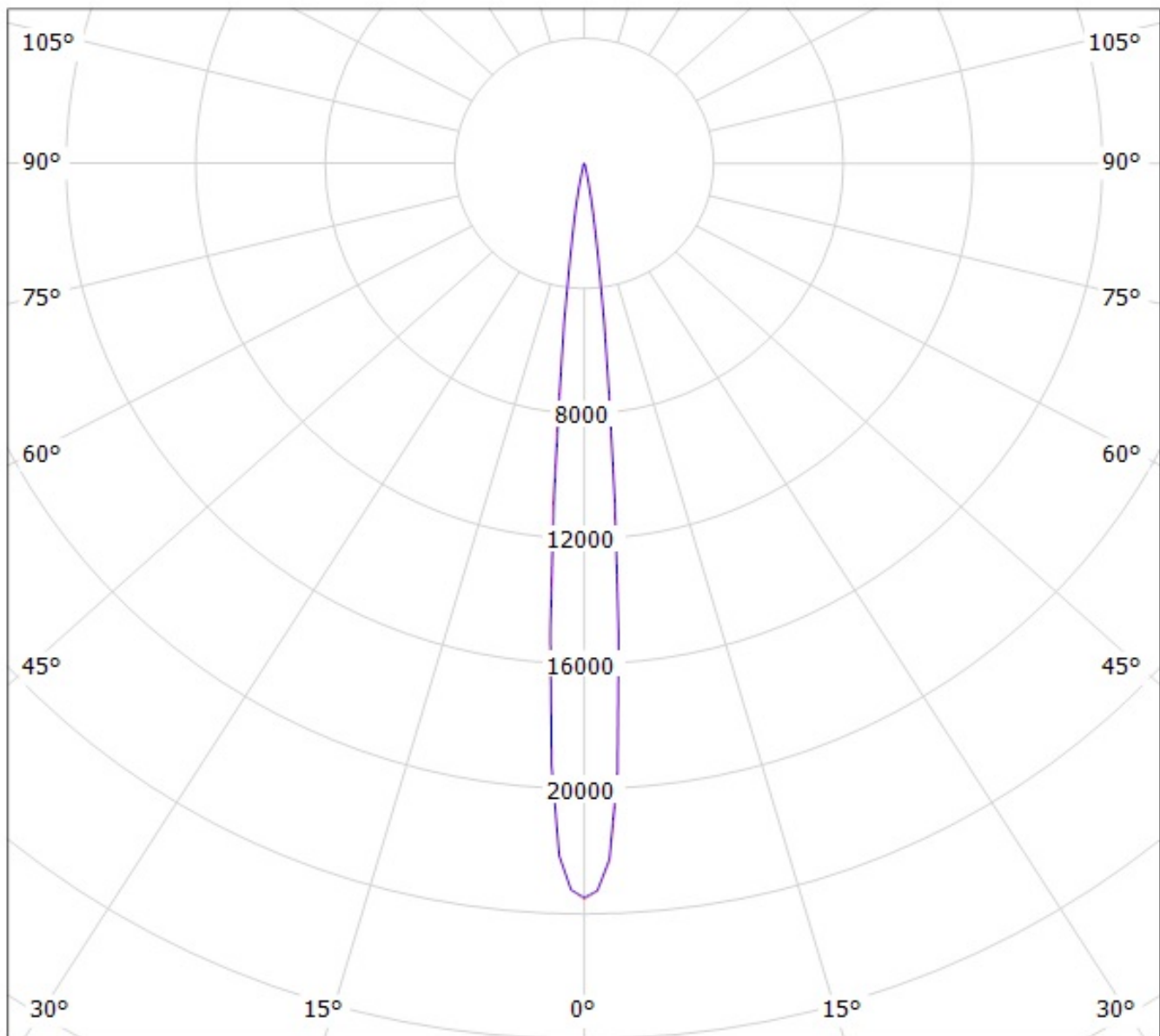
Luminaire: Ledil Oy C13236\_SANDRA-12-S\_(XP-E)\_SIMULATED  
Lamps: 1 x Cree XP-E



cd/klm  
— C0 - C180 — C90 - C270

$\eta = 94\%$

Luminaire: LEDiL Oy C13236\_SANDRA-12-S\_(XP-E2) Eff: 94%  
Lamps: 1 x CREE\_XP-E2\_x12\_1001.3lm@250mA\_P=8.66978W\_I=249.9mA



cd/klm  
— C0 - C180    — C90 - C270

**NOTE: The typical divergence will be changed by different color, chip size and chip position tolerance. The typical total divergence is the full angle measured where the luminous intensity is half of the peak value.**