

**PRODUCT DATASHEET**  
**Emma series**

last update 14/12/2015

**Product number** C13055\_EMMA-360

Family	Emma
Type	Lens
LED	Oslon Square EC
Color	Clear
Diameter	9.9x9.9 mm
Height	5.7 mm
Style	Square
Optic Material	PMMA
Holder Material	-
Fastening	Pin, glue
Status	On production

FWHM	170 degrees
Efficiency	92 %
cd/lm	0.420
Gerber File	Available

Developed especially for side emitting applications

**NOTE: The typical divergence will be changed by different color, chip size and chip position tolerance. The typical total divergence is the full angle measured where the luminous intensity is half of the peak value.**



## PRODUCT DATASHEET

### Emma series

last update 14/12/2015

#### GENERAL INFORMATION

- Product series especially designed & optimized for Oslon Square EC series of LEDs.
- Special care taken to make light distribution as uniform as possible.
- Lens material optical grade PMMA with high UV and temperature resistance. Allows use of high current and temperature conditions.

Please find more information about used material from below:

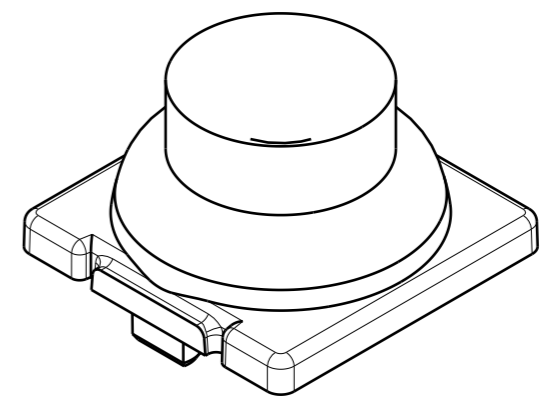
[http://ledil.fi/sites/default/files/Documents/Technical/Material/PMMA%20N%20UL94\\_Yellow%20Card.pdf](http://ledil.fi/sites/default/files/Documents/Technical/Material/PMMA%20N%20UL94_Yellow%20Card.pdf)

<http://ledil.fi/sites/default/files/Documents/Technical/Material/PMMA%20N%20PLEXIGLAS-Datasheet.pdf>

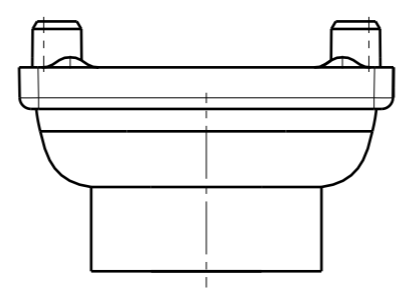
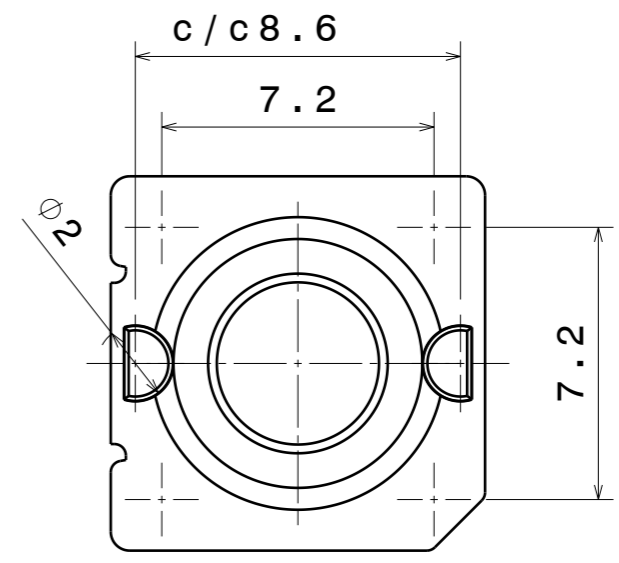
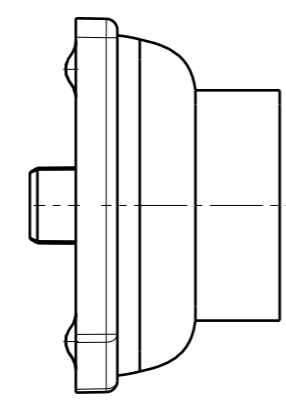
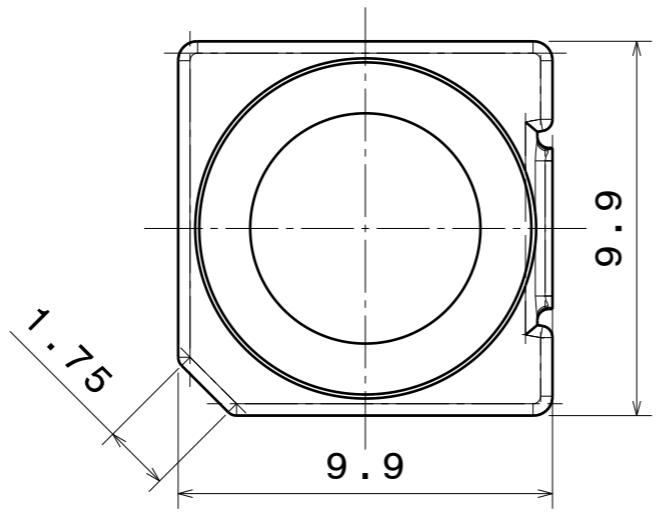
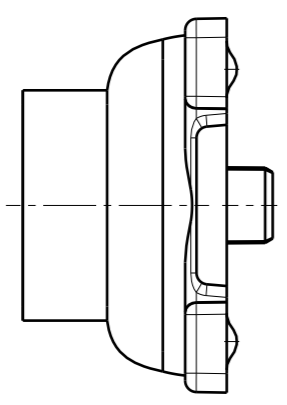
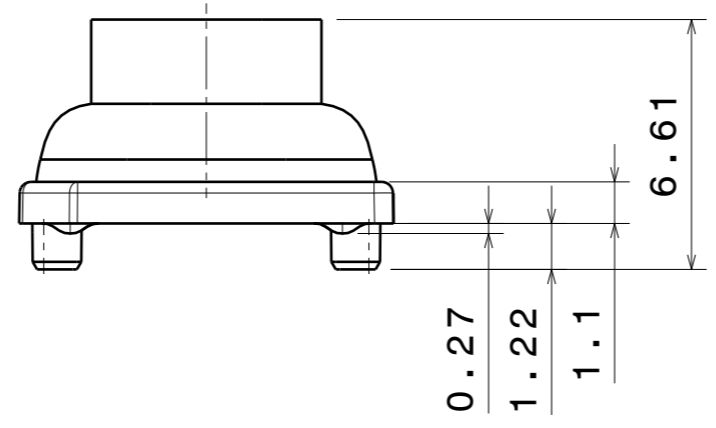
H G F E D C B A

4

4



Isometric view  
Scale: 5:1



3

3

2

2

1

1

INDEX	PART NO	DESCRIPTION	MATERIAL	COLOUR
1	C13055	EMMA-360	PMMA	

Tolerances if not otherwise shown  
According to DIN ISO 2768-1  
Linear measures:  
Up to 30mm class M, otherwise class C.  
According to DIN ISO 2768-2  
Form and position: class L

**LEDiL** LediL Oy  
Salorankatu 10  
FIN 24240 SALO  
Finland

THIRD ANGLE PROJECTION:

DRAWING TITLE  
**C13055\_EMMA-360**

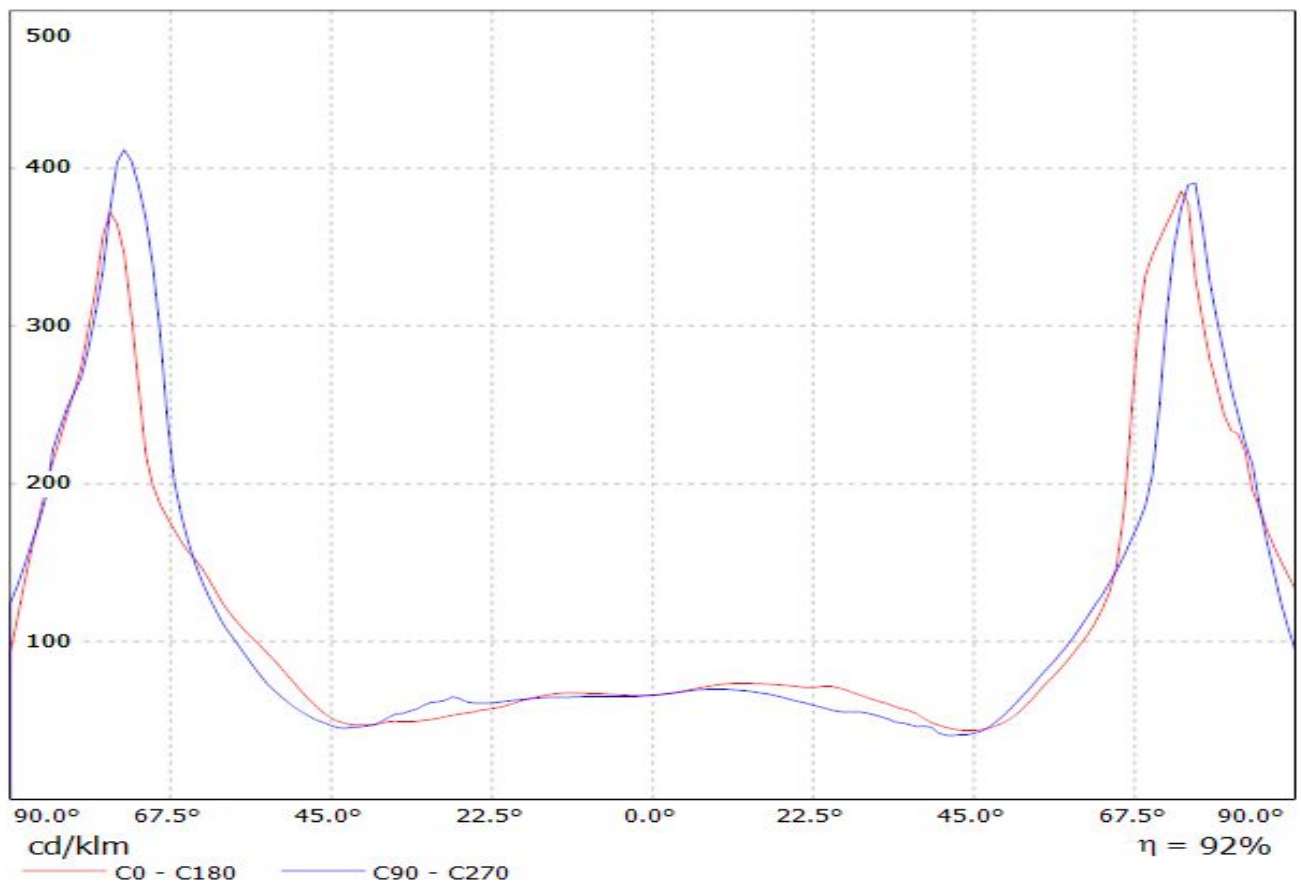
This drawing is the property of LEDiL Oy. It may not be reproduced, copied or communicated without a written agreement with LEDiL Oy."

SIZE	PART NUMBER		
<b>A3</b>	<b>C13055</b>		

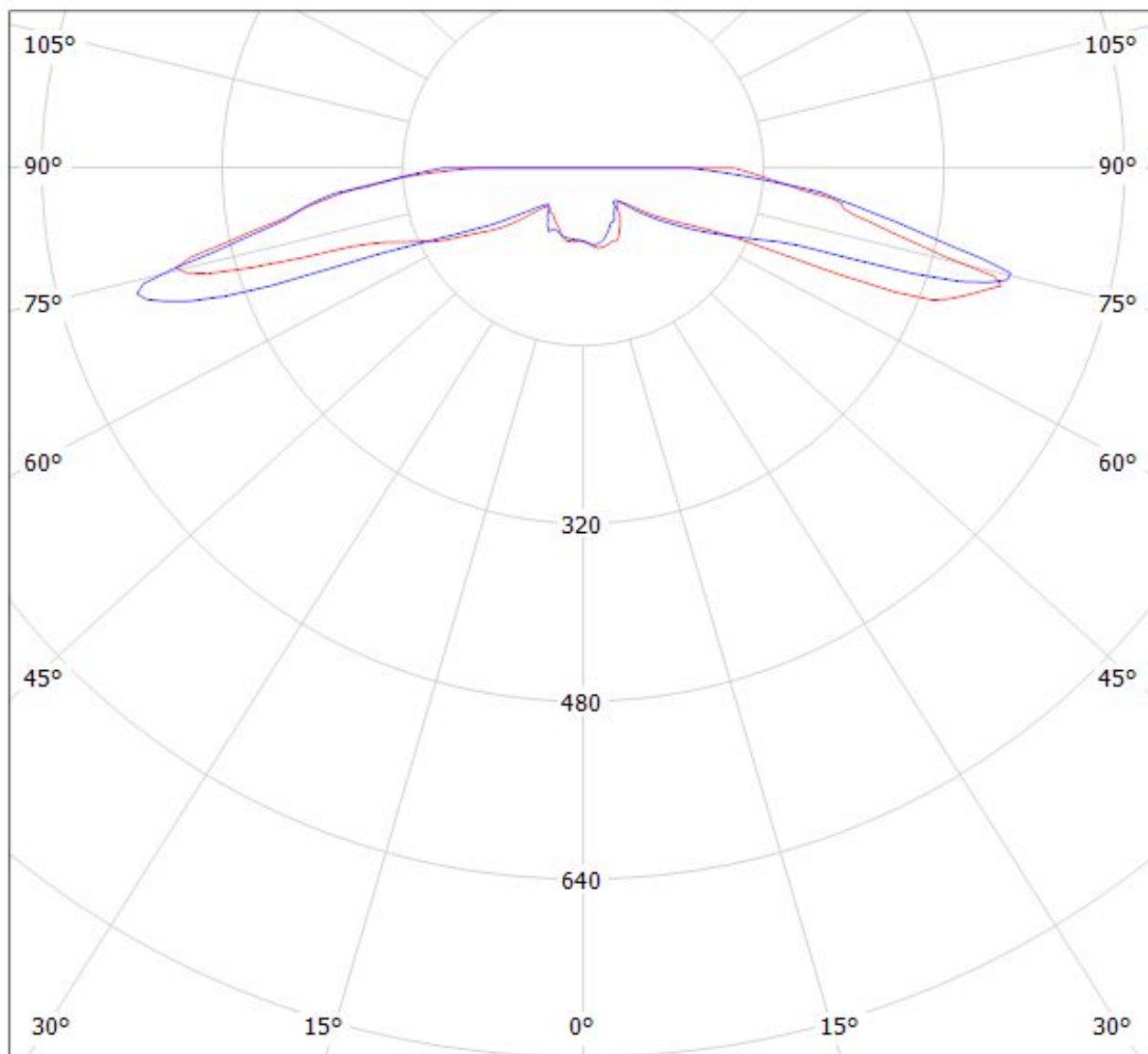
SCALE	5:1	WEIGHT	-	SHEET	1/1
-------	-----	--------	---	-------	-----

H G B A

Luminaire: LEDiL Oy C13055\_EMMA-360\_(SQ-EC) Eff.91.9%  
Lamps: 1 x SQ-EC (67.7108lm@250mA)



Luminaire: LEDiL Oy C13055\_EMMA-360\_(SQ-EC) Eff.91.9%  
Lamps: 1 x SQ-EC (67.7108lm@250mA)



cd/klm

$\eta = 92\%$

— C0 - C180    — C90 - C270