

PHYSICAL DIMENSIONS:

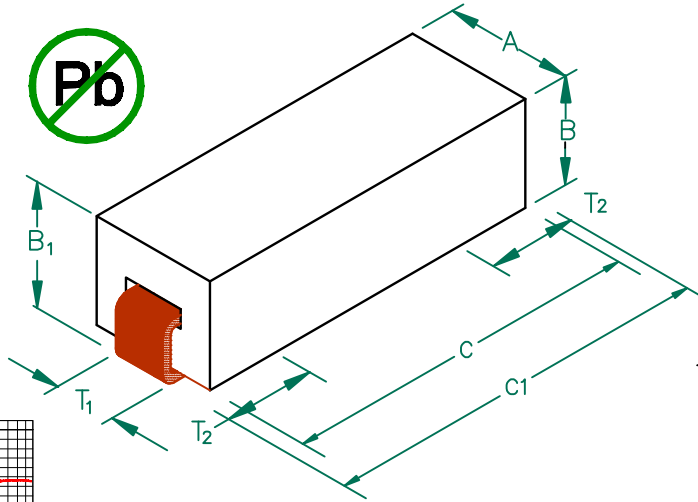
- A 3.05 [.120] + 0.08 [.003]
- B 2.54 [.100] + 0.08 [.003]
- B₁ 3.05 [.120] + MAX
- C 8.51 [.335] + 0.23 [.009]
- C₁ 9.53 [.375] + MAX

WIRE DIMENSIONS:

- T₁ 1.27 [.050] + 0.05 [.002]
- T₂ 1.52 [.060] + 0.51 [.020]

28F0121-1SR-10

UNCONTROLLED DOCUMENT



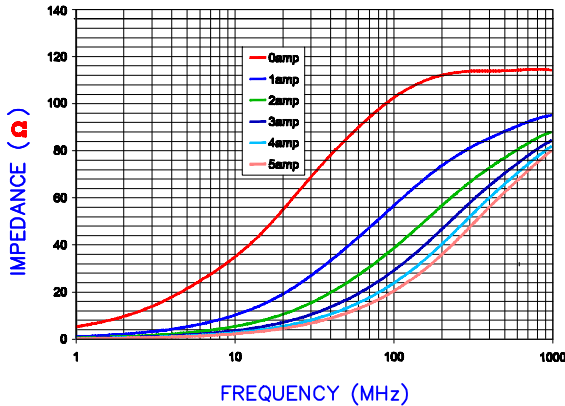
ELECTRICAL CHARACTERISTICS:

Z @ 100MHz (Ω)	DCR (Ω)	Rated Current
Nominal	96	
Minimum	72	
Maximum	120	10,000 mA

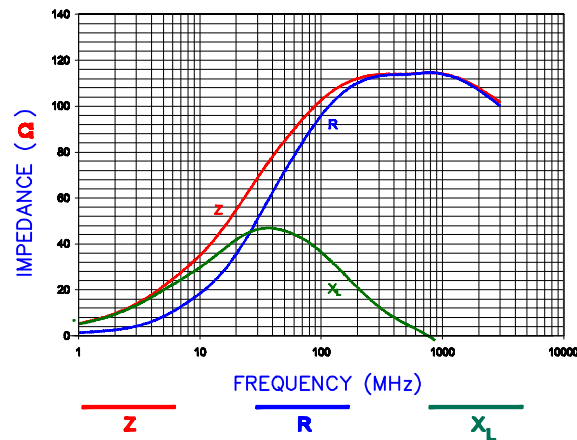
NOTES: UNLESS OTHERWISE SPECIFIED

1. TAPED AND REELED per CURRENT EIA SPECIFICATIONS 13" REELS, 2500 PCS/REEL.
2. COMPONENTS SHOULD BE ADEQUATELY PREHEATED BEFORE SOLDERING.
3. REF. CARRIER TAPE SPECIFICATION # CART121-13.

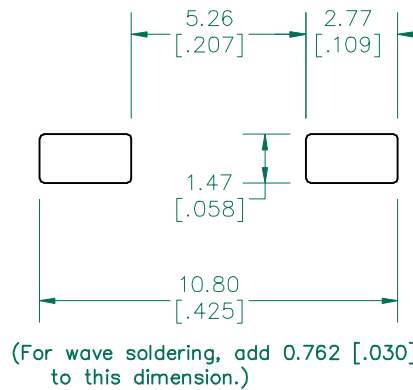
Z vs. FREQUENCY IMPEDANCE UNDER DC BIAS



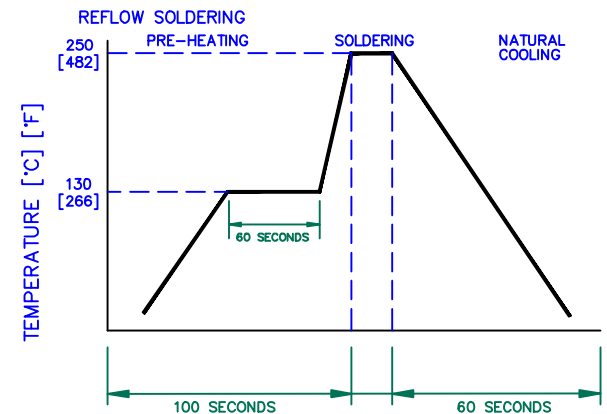
FREQUENCY (MHz) | Z, R, AND X vs. FREQUENCY



LAND PATTERNS FOR REFLOW SOLDERING



RECOMMENDED SOLDERING CONDITIONS



DIMENSIONS ARE IN mm (INCHES).				THIS DOCUMENT CONTAINS INFORMATION WHICH IS PROPRIETARY AND CONFIDENTIAL TO STEWARD. NO PRODUCTION OR PUBLICATION OF THIS DOCUMENT IN WHOLE OR IN PART SHALL BE MADE WITHOUT WRITTEN AUTHORIZATION FROM STEWARD.																							
<table border="1"> <tr> <td>E</td> <td>UPDATE LANDPATTERN ADD ROHS SYMBOL</td> <td>08/09/07</td> <td>JRK</td> </tr> <tr> <td>D</td> <td>UPDATE COMPANY LOGO</td> <td>04/19/07</td> <td>JRK</td> </tr> <tr> <td>C</td> <td>ADD KGS TO WGT&LBS TO PART WGT</td> <td>09/13/05</td> <td>JRK</td> </tr> <tr> <td>B</td> <td>CHANGE RATED CURRENT FROM 5000mA</td> <td>02/17/04</td> <td>JRK</td> </tr> <tr> <td>A</td> <td>ORIGINAL DRAFT</td> <td>10/06/03</td> <td>JRK</td> </tr> </table>				E	UPDATE LANDPATTERN ADD ROHS SYMBOL	08/09/07	JRK	D	UPDATE COMPANY LOGO	04/19/07	JRK	C	ADD KGS TO WGT&LBS TO PART WGT	09/13/05	JRK	B	CHANGE RATED CURRENT FROM 5000mA	02/17/04	JRK	A	ORIGINAL DRAFT	10/06/03	JRK				
E	UPDATE LANDPATTERN ADD ROHS SYMBOL	08/09/07	JRK																								
D	UPDATE COMPANY LOGO	04/19/07	JRK																								
C	ADD KGS TO WGT&LBS TO PART WGT	09/13/05	JRK																								
B	CHANGE RATED CURRENT FROM 5000mA	02/17/04	JRK																								
A	ORIGINAL DRAFT	10/06/03	JRK																								
PROJECT/PART NUMBER:				REV	PART TYPE:	DRAWN BY:																					
28F0121-1SR-10				E	ASSEMBLY	JRK																					
DATE: 10/06/03				SCALE:	NTS	SHEET:																					
CAD # 28F0121-1SR-10-E				TOOL #	-	2 of 3																					
REV	DESCRIPTION	DATE	INT																								