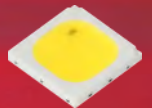


Data Sheet

LL22SE-CBZ50150L51



MJT5050



■ Features & Typical Applications

- High efficiency
- Optimized for uniform effect
- Roadway Lighting
- Anti-glare

■ Table of Contents

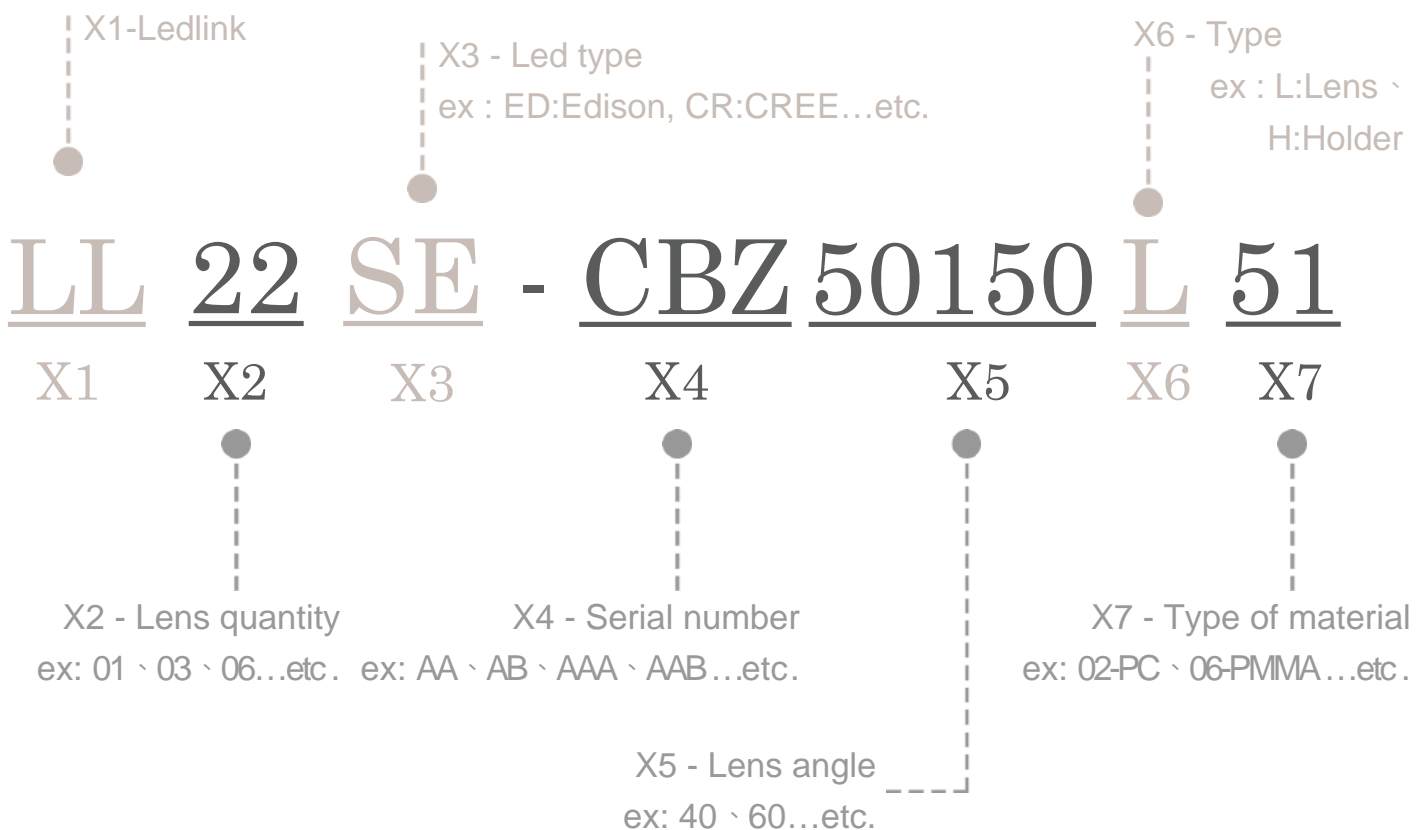
General Information & Product Nomenclature.....	P.2
Optical Specifications	P.3
Mechanical Specifications	P.4
Package Specifications	P.5

LL22SE-CBZ50150L51

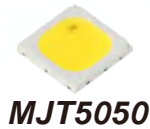
General Information

- Lens Material : PC LEV2200KL
 - Waterproof Rubber : Silicone M40
 - Operating Temperature range $-40^{\circ}\text{C} \sim +110^{\circ}\text{C}$ (upper limit $+120^{\circ}\text{C}$).
 - Storage Temperature range $-40^{\circ}\text{C} \sim +110^{\circ}\text{C}$ (upper limit $+120^{\circ}\text{C}$).
 - * Average transmittance in visible spectrum $400\text{nm} \sim 700\text{nm} > 90\%$.
- Usage and Maintenance:
1. If necessary, clean lenses with mild soap, water and soft cloth.
 2. Never use any commercial cleaning solvents on lenses, like alcohol.
 3. Please handle or install lenses with wearing gloves, skin oils may damage lens or its optical characteristic.

Product Nomenclature



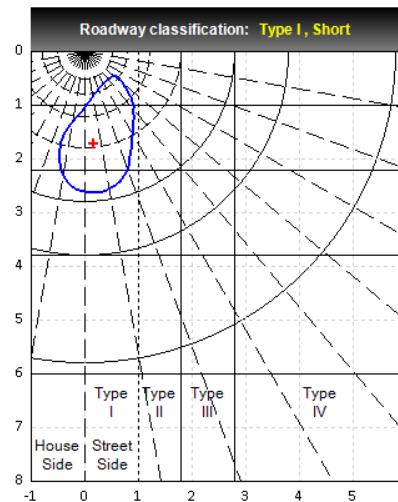
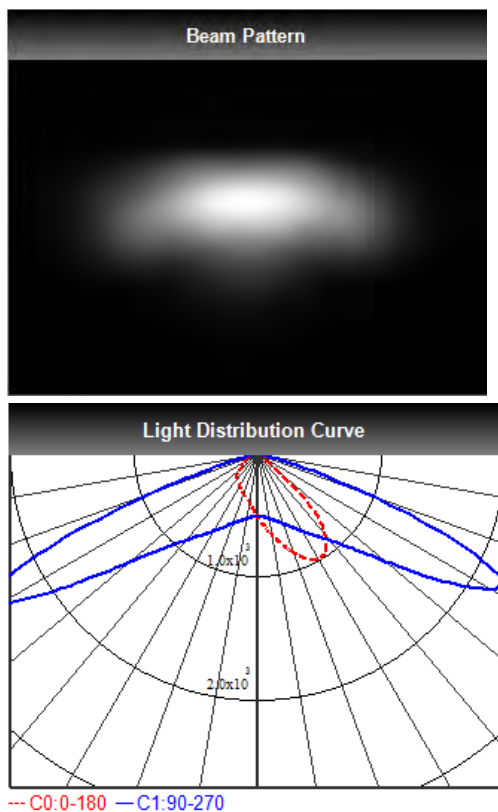
LL22SE-CBZ50150L51 Optical Specifications



Note: (1) All the results of analysis are based on 0 degrees of elevation.
 (2) Tolerance: $\pm 10\%$.
 (3) Led Luminous Flux(lm): 2770($\pm 5\%$).

IES File: [Download](#)

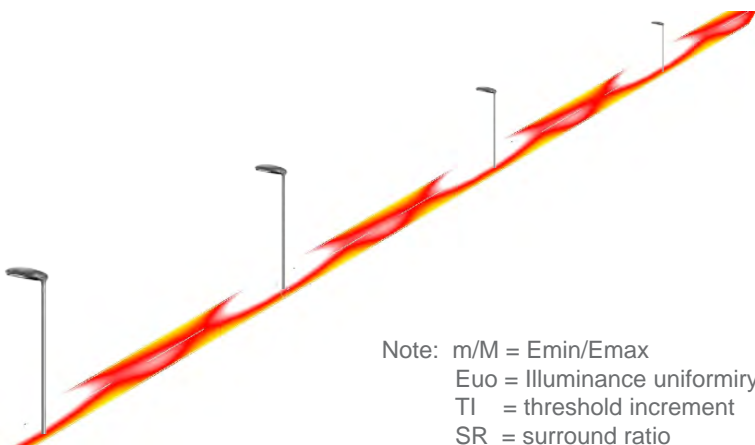
@elevation 0°



Elevation	Roadway Classification
0°	Type I, Short
5°	Type II, Short
10°	Type II, Short
15°	Type II, Short
20°	Type III, Short

DIALux Simulation Result

Analyzed file: [Download](#)



Recommend configuration condition	
Height	= 10m
Distance	= 35m
Roadwidth	= 7m
Elevation	= 0degree
Overhang	= 1m
Result	
m/M	= 0.58
E _{uo}	= 0.74
TI	= 7%
SR	= 0.62

*The results would be similar if the configuration conditions are equally magnified or minified.

*This testing result is obtained through testing the popular rank LED samples which provided by the original manufacturer. Hence, the testing results would be varied as the users choose same LED model but different rank.

*The analyzed file require DIALux v4.12 and above to open.

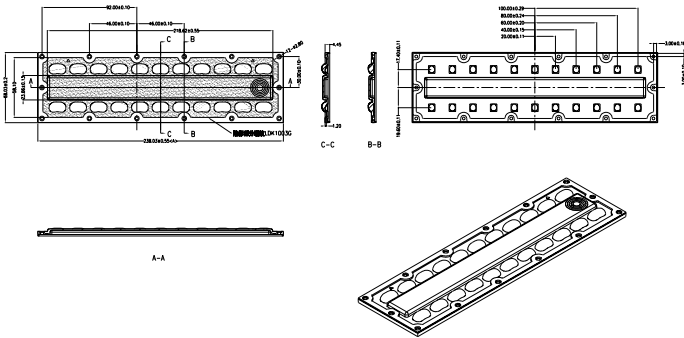
LL22SE-CBZ50150L51 Mechanical Specification

1. Fixing method

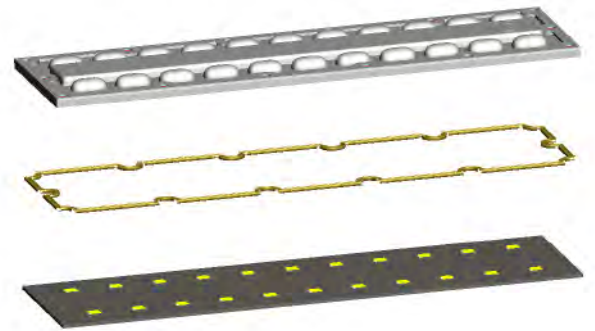
- Glue
 Screw
 Tape
 Fixing-ring
 Frame

Note: (1) All dimensions are in mm.
 (2) All measurements are ± 0.15 mm unless otherwise indicated.

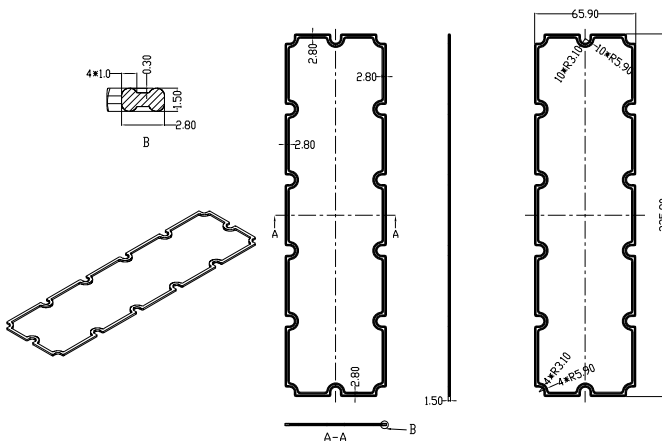
2. Lens dimension



3. Lens + Waterproof Rubber + MCPCB assembly instruction



4. Rubber dimension



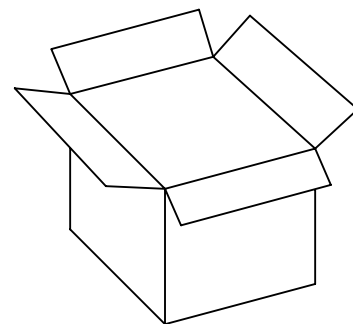
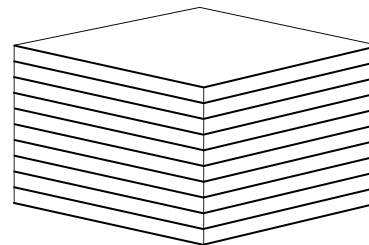
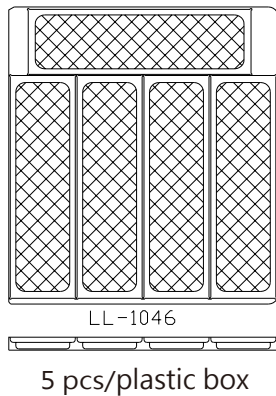
5. View assembly lens with MCPCB:



Waterproof Rubber Number : LL01A0XRVRX2

LL22SE-CBZ50150L51 Package Specifications

Item	Quantity	Total	Size(L*W*H)	G.W
plastic box	5 pcs/plastic box	5 pcs	32*29*1.4 cm	50g
outer box	15 plastic box/outer box	75 pcs	35*31*21 cm	



75 pcs/outer box



Note: