

Data Sheet

LL01SP-ASOxxR49

CITIZEN
Micro HumanTech



■ Features & Typical Applications

- High efficiency
- Available with 4 beam angles
- Optimized Uniformity
- Reflectors with Connector
- Downlight
- Architectural Lighting
- Commercial Lighting

■ Table of Contents

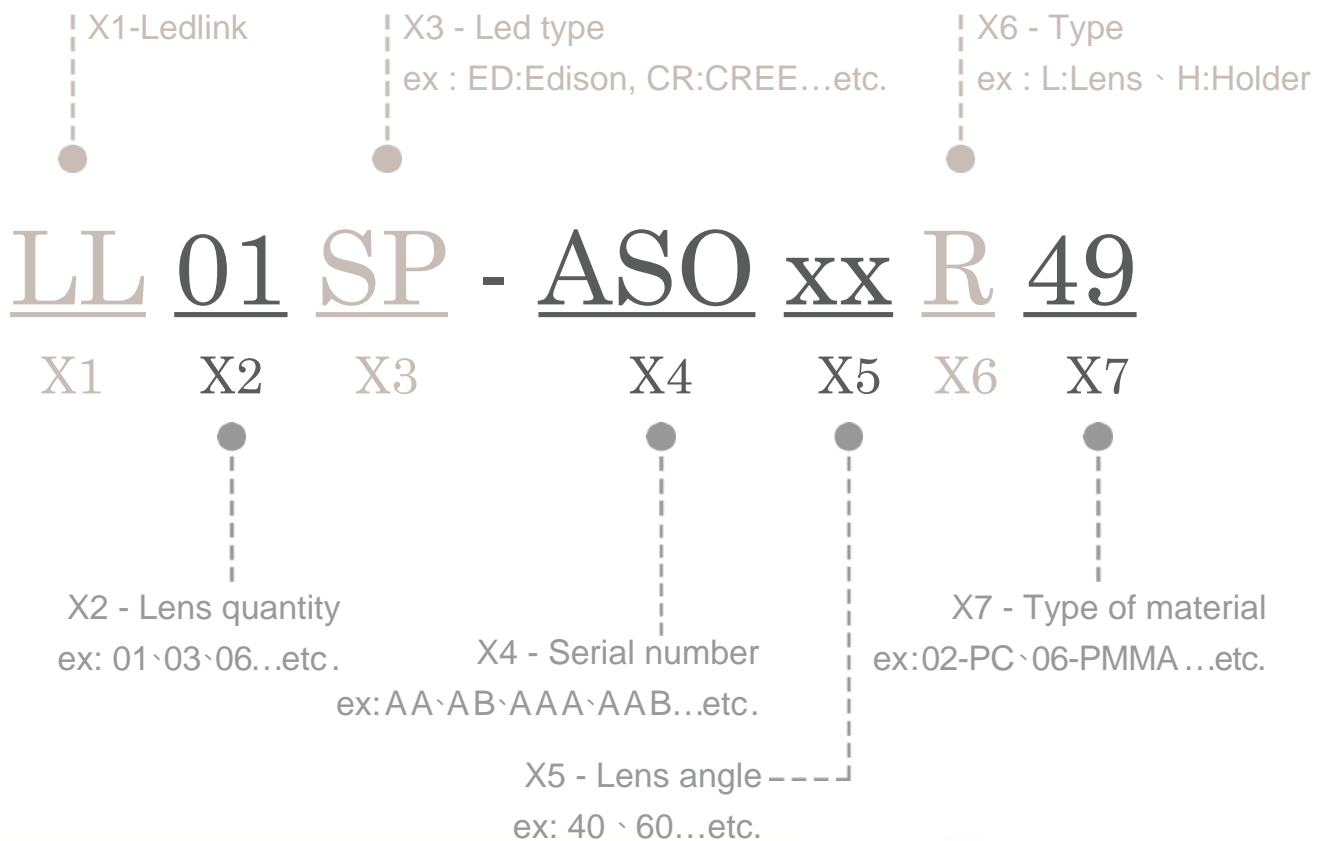
General Information & Product Nomenclature.....	P.2
Optical Specifications	P.3
Mechanical Specifications.....	P.5
Package Specifications.....	P.6

LL01SP-ASOxxR49

General Information

- Reflector Material : Aluminum
- Connector Material : PBT4815
- Reflector surface anodized.
- Operating Temperature range -40°C~+110°C(upper limit +120°C).
- Storage Temperature range -40°C~+110°C(upper limit +120°C).
- Usage and Maintenance:
 1. If necessary, clean reflectors with mild soap, water and soft cloth.
 2. Never use any commercial cleaning solvents on reflectors, like alcohol.
 3. Please handle or install reflectors with wearing gloves, skin oils may damage reflector or its optical characteristic.

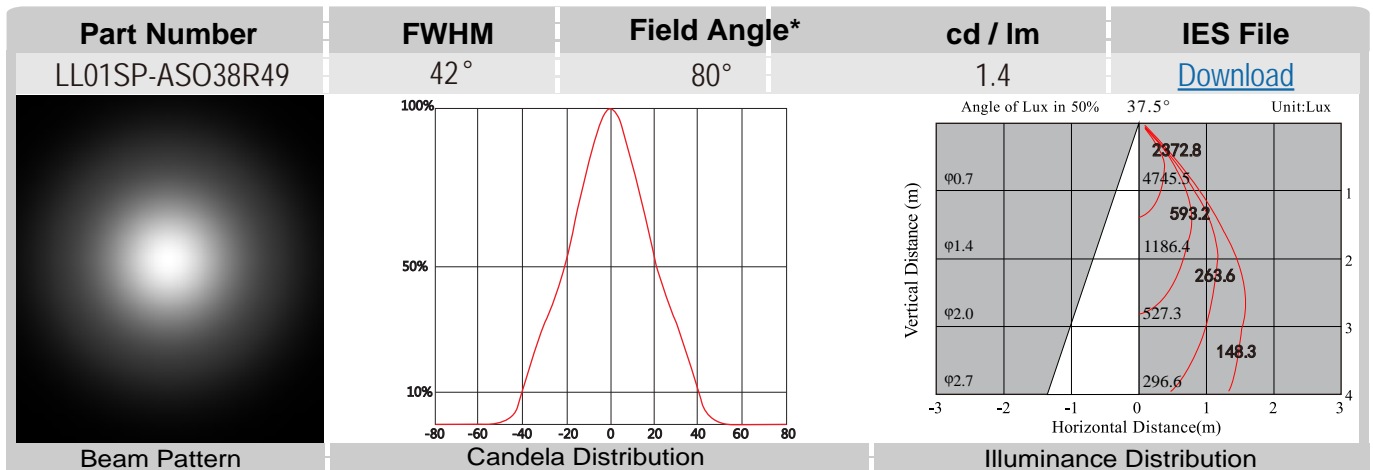
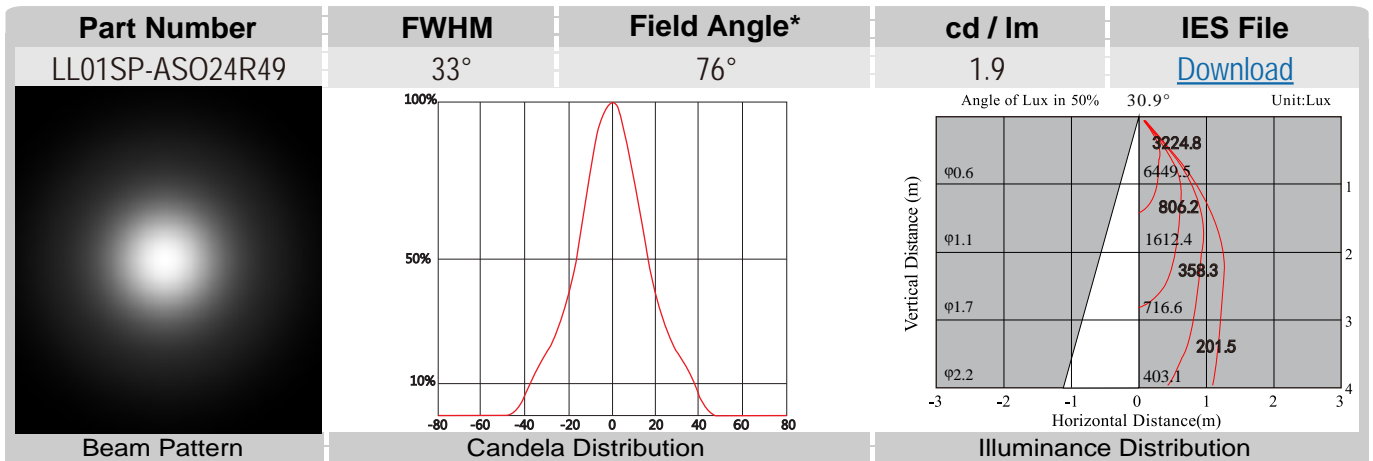
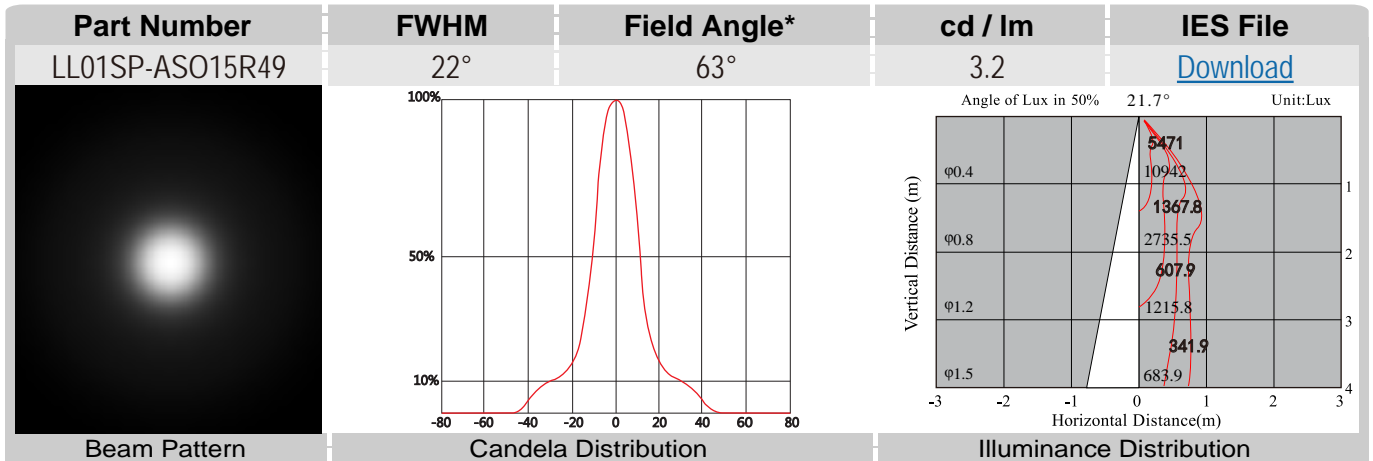
Product Nomenclature



LL01SP-ASOxxR49 Optical Specifications

CITIZEN
 Micro HumanTech


Note: (1) All the results of analysis are based on 0 degrees of elevation.
 (2) Tolerance: $\pm 10\%$.
 (3) Led Luminous Flux(lm): 3395($\pm 5\%$).



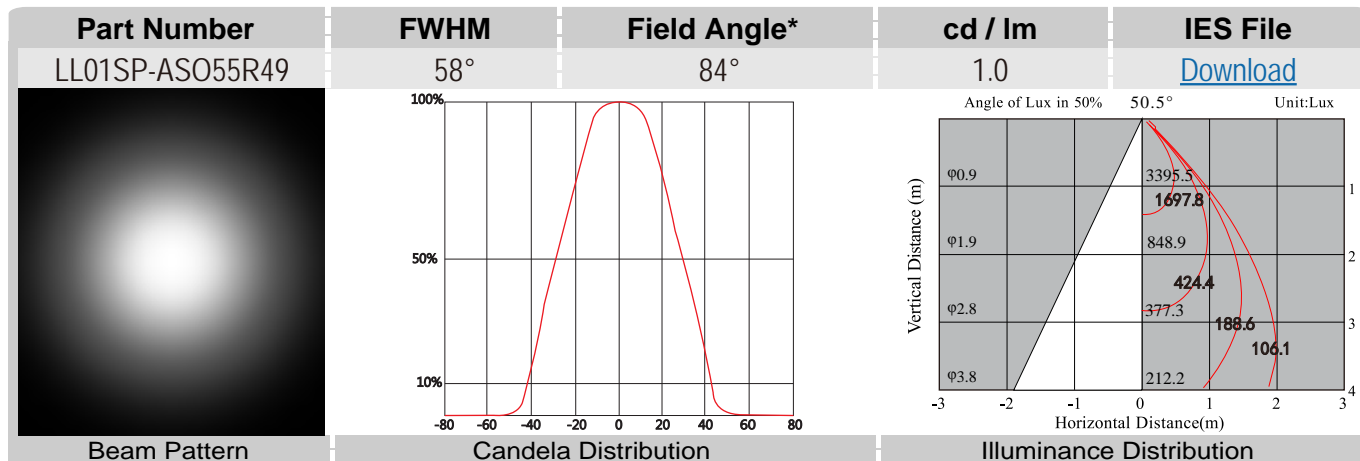
LL01SP-ASOxxR49 Optical Specifications

CITIZEN
Micro HumanTech



CLL040

Note: (1) All the results of analysis are based on 0 degrees of elevation.
(2) Tolerance: $\pm 10\%$.
(3) Led Luminous Flux(lm): 3395($\pm 5\%$).



The Field Angle is the angle between the two directions opposed to each other over the beam axis for which the luminous intensity is 10% that of the maximum luminous intensity. This testing result is obtained through testing the popular rank LED samples which provided by the original manufacturer. Hence, the testing results would be varied as the users choose same LED model but different rank.

LL01SP-ASOxxR49 Mechanical Specification

1. Fixing method

 Glue

 Screw

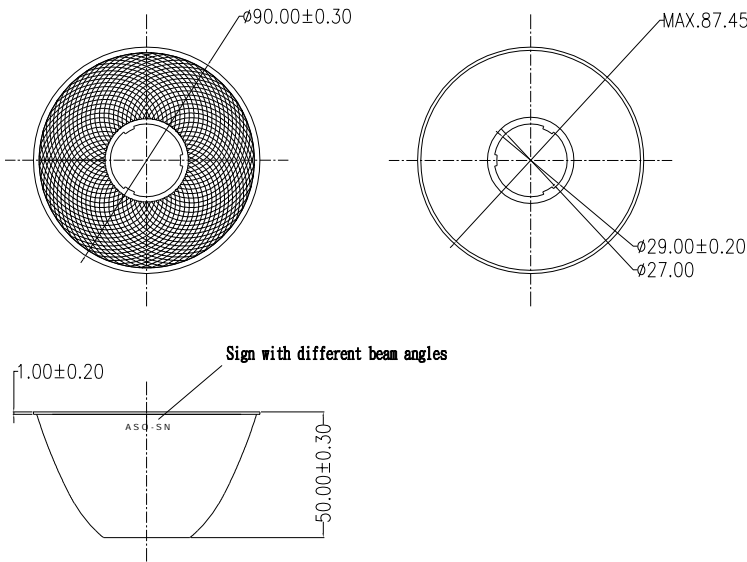
 Tape

 Fixing-ring

 Frame

Note: (1) All dimensions are in mm.
 (2) All tolerance are ± 0.15 mm unless otherwise specified.

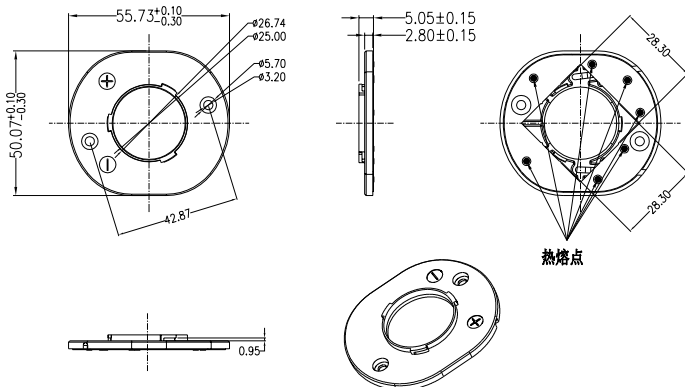
2. Reflector dimension



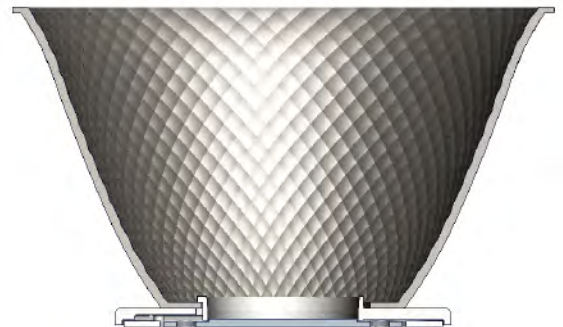
3. Reflector + Connector + Leds assembly instruction



4. Connector dimension



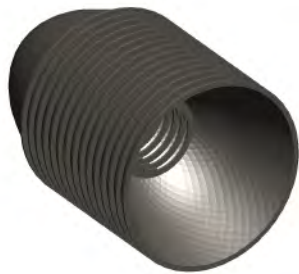
5. View assembly Reflector with LED:



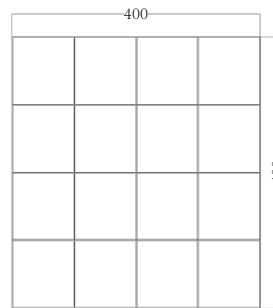
LL01A27BUYM2-M2

LL01SP-ASOxxR49 Package Specifications

Item	Quantity	Total	Size(L*W*H)	G.W
EPE stack	26 pcs/EPE stack	26 pcs		45g
outer box	16 stack/outer box	416 pcs	40*40*21 cm	



26 pcs/EPE stack



416 pcs/outer box



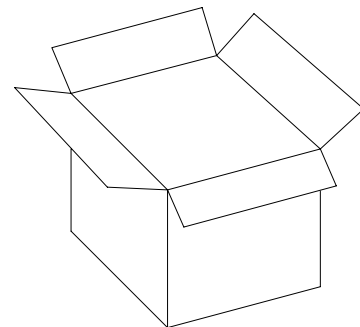
Note:

LL01A27BUYM2-M2 Package Specifications

Item	Quantity	Total	Size(L*W*H)	G.W
Outer bag	50 pcs/plastic bags	50 pcs	23*24 cm	5.3g
Outer box	12 plastic bags/box	600 pcs	40*37*21 cm	



50pcs/Plastic bag



600pcs/Outer box

Note: