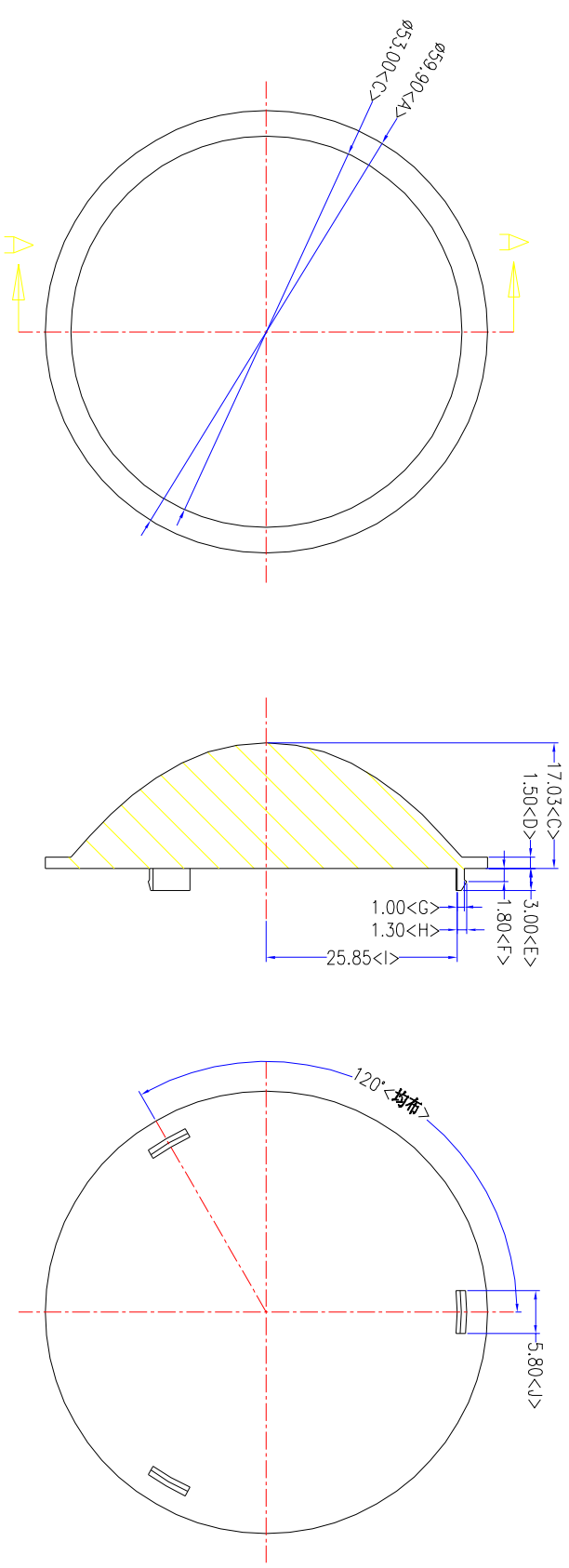
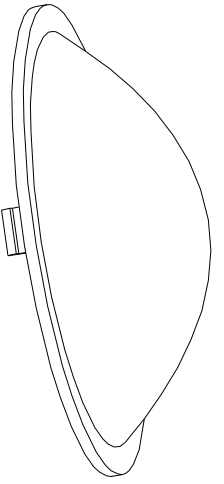
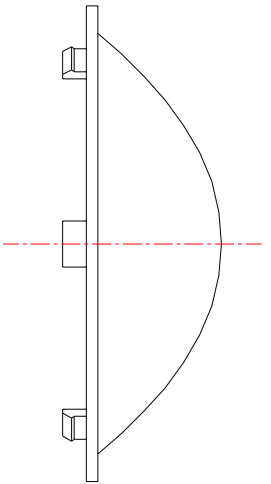


DRAW	REV	DATE	DESCRIPTION



SECTION A-A



GENERAL TOLERANCES (UNLESS STATED)		Crucial point		UNIT	MATERIAL	DATE
LINEAR	ANGULAR	Expect mark	TITLE			
X ± 0.25	X $\pm 1^\circ$	LL01ED-A160L	LL01ED-A160L	MM	PMMA	2008/06/19
XX ± 0.20	X.X $\pm 0.5^\circ$	CHECK	APPROVED	REV	1.0	
XXX ± 0.10	X.XX $\pm 0.1^\circ$	DRAWING	吕一鸣	SCALE	FIT	Third Angle Projection

 **Ledlink LEDLINK INDUSTRIAL CO.,LTD.**
Lighting Solutions for the Smart World

