

Data Sheet

LL01CT-AOFxxL06-M2

CITIZEN
Micro HumanTech



CLL020



■ Features & Typical Applications

- High efficiency
- Available in 2 beam Patterns
- Optimized for uniform effects
- Lens with Housing
- Downlight
- Architectural Lighting
- Commercial Lighting

■ Table of Contents

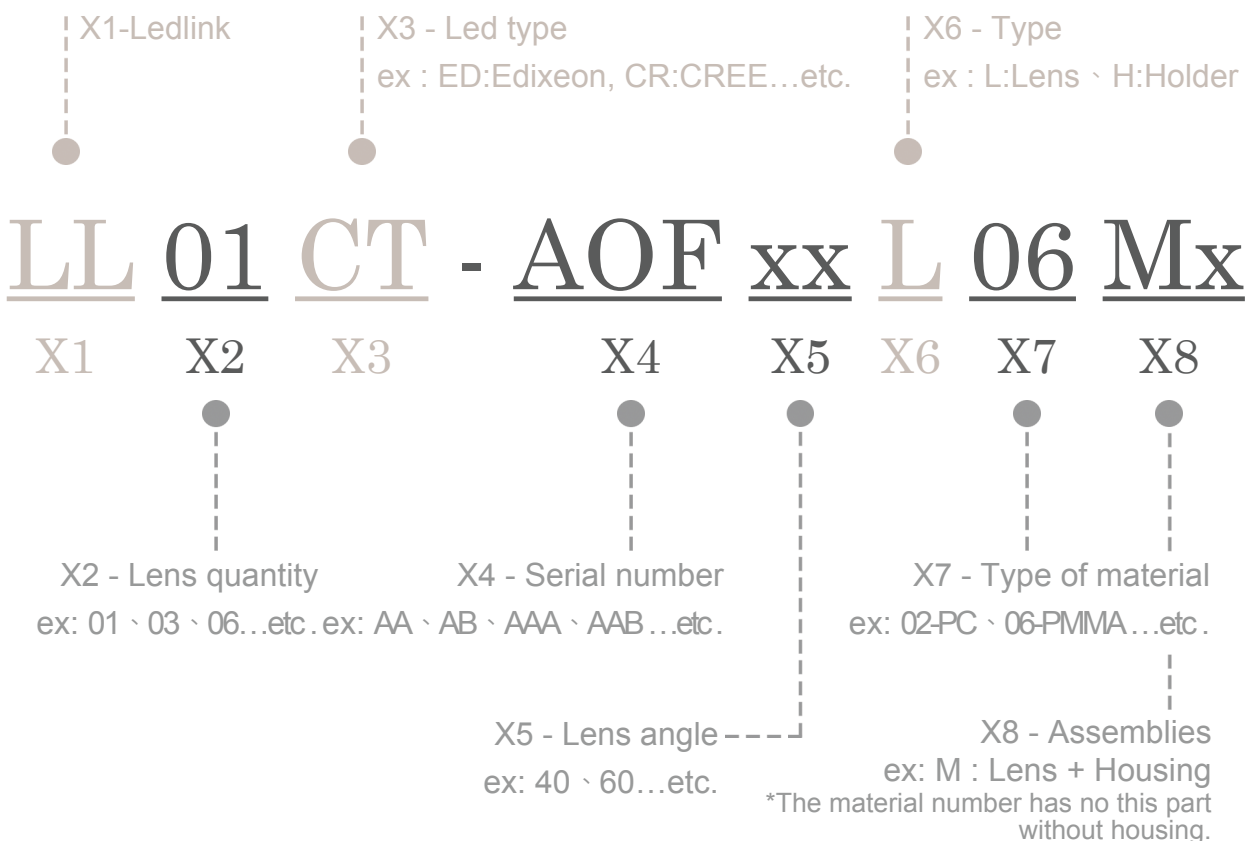
General Information & Product Nomenclature.....	P.2
Optical Specifications	P.3
Mechanical Specifications	P.4

LL01CT-AOFxxL06-M2

General Information

- Lens Material Optical Grade PC
- Operating Temperature range -40°C~+70°C(upper limit +80°C)
- Storage Temperature range -40°C~+70°C(upper limit +80°C)
 - * Average transmittance in visible spectrum 400nm~700nm>90%
- Usage and Maintenance:
 1. If necessary, clean lenses with mild soap, water and soft cloth.
 2. Never use any commercial cleaning solvents on lenses, like alcohol.
 3. Please handle or install lenses with wearing gloves, skin oils may damage lens or its optical characteristic.

Product Nomenclature




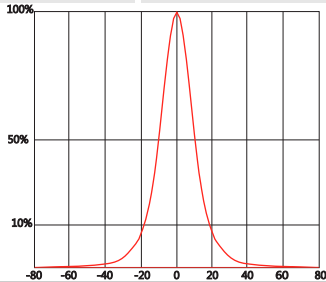
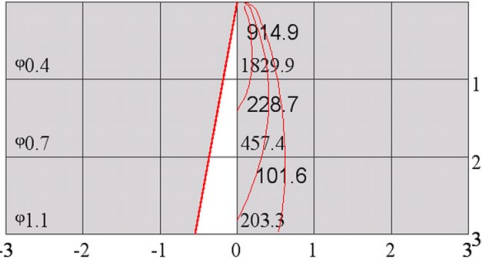

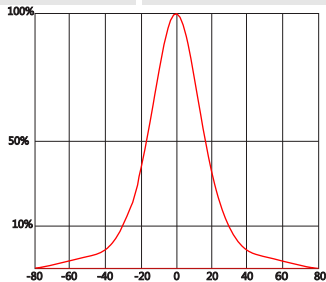
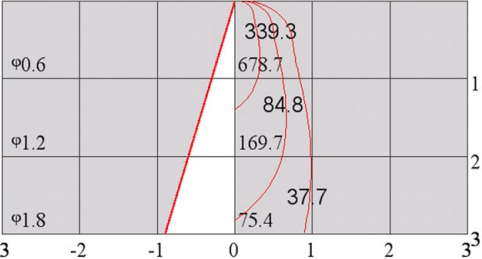
LL01CT-AOFxxL06-M2

Optical Specifications

CITIZEN
 Micro HumanTech

CLL020

Note: (1) All the results of analysis are based on 0 degrees of elevation.
 (2) Tolerance: $\pm 10\%$.
 (3) Led Luminous Flux(lm): 513($\pm 5\%$).

Part Number	FWHM	Field Angle*	cd / lm	IES File
LL01CT-AOF24L06-M2	23°	51°	3.6	Download
				
Beam Pattern	Light Distribution Curve	Illuminance Distribution		
Part Number	FWHM	Field Angle*	cd / lm	IES File
LL01CT-AOF38L06-M2	37°	81°	1.3	Download
				
Beam Pattern	Light Distribution Curve	Illuminance Distribution		

*The Field Angle is the angle between the two directions opposed to each other over the beam axis for which the luminous intensity is 10% that of the maximum luminous intensity.
 *This testing result is obtained through testing the popular rank LED samples which provided by the original manufacturer. Hence, the testing results would be varied as the users choose same LED model but different rank.

LL01CT-AOFxxL06-M2

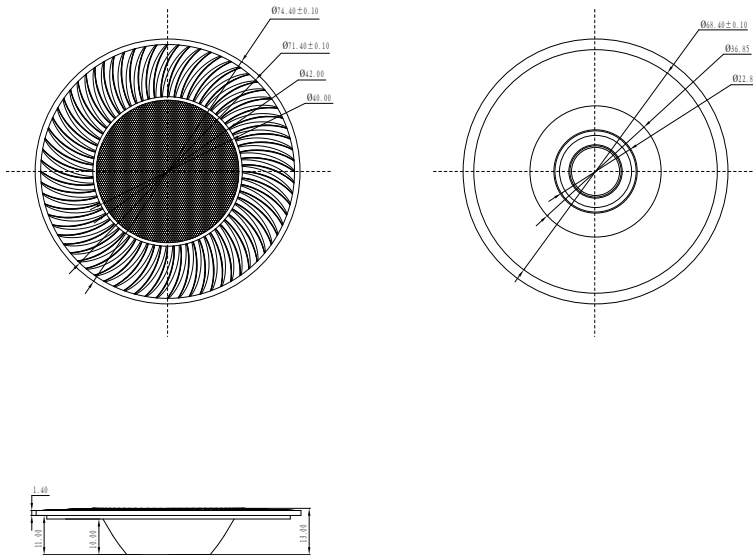
Mechanical Specification

1. Fixing method

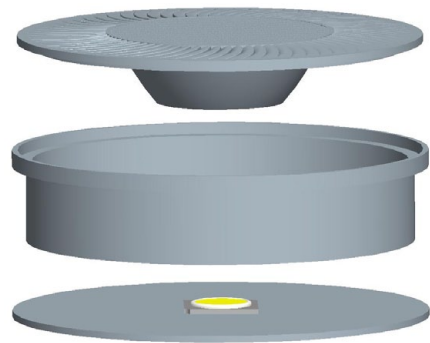
- Glue
 Screw
 Tape
 Fixing-ring
 Frame

Note: (1) All dimensions are in mm.
 (2) All measurements are ± 0.15 mm unless otherwise indicated.

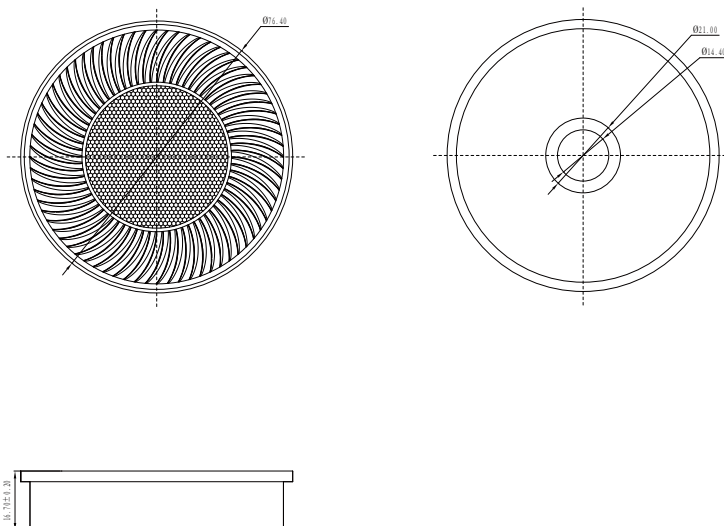
2. Lens dimensions



3. Lens + Leds + MCPCB assembly instruction



4. Lens assembly dimensions



5. View assembly lens with MCPCB:

