

Data Sheet

LL01CR-BZT80140L83-Mx



▶ LED Solution Provider



CXA15xx



Similar Products(Brightness Uniformity, Assymetry, Elevation needed)

■ Features & Typical Applications

- High efficiency
- Optimized Uniformity
- Roadway Lighting
- Lens with Holder

■ Table of Contents

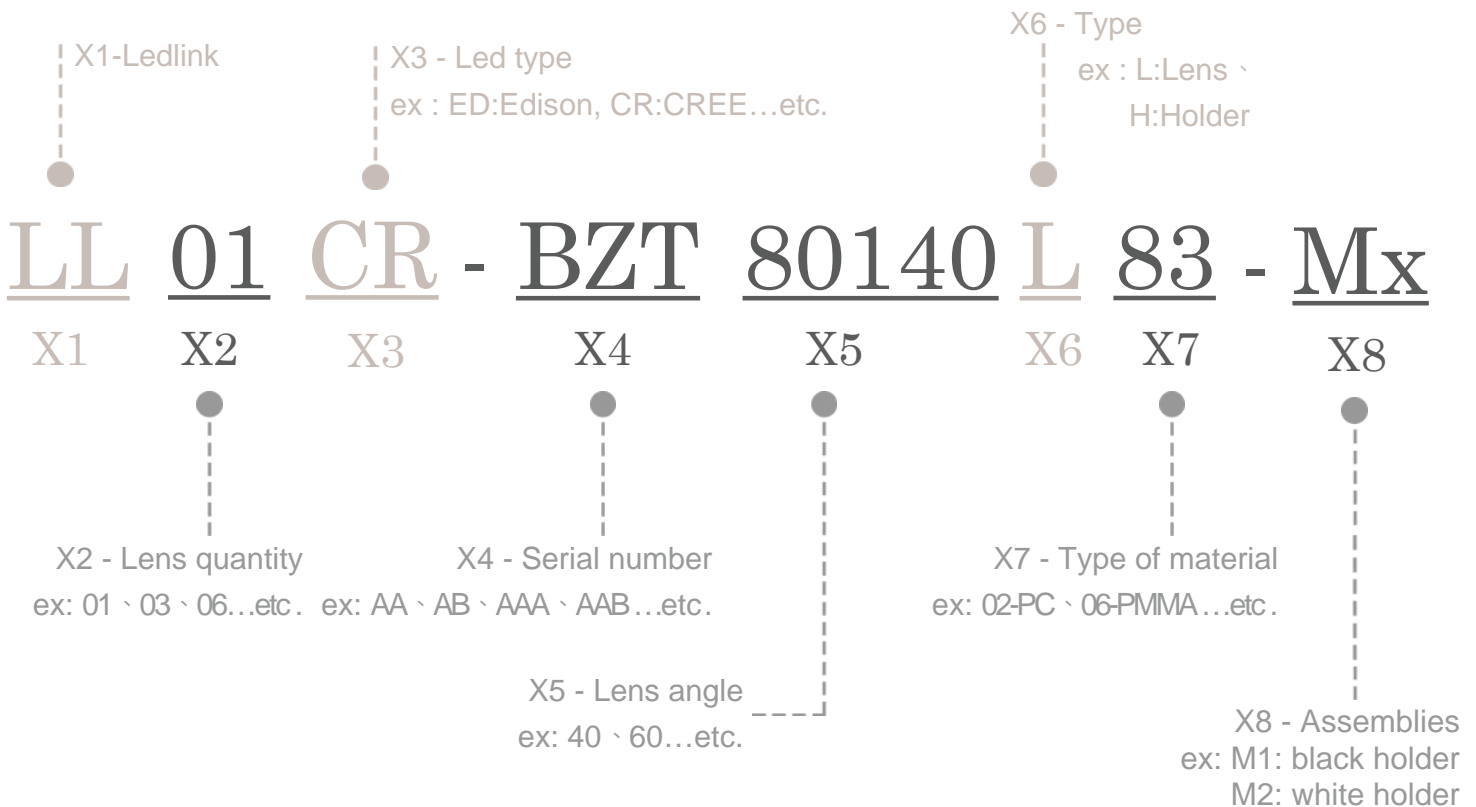
General Information & Product Nomenclature.....	P.2
Optical Specifications	P.3
Mechanical Specifications	P.4
Package Specifications	P.5

LL01CR-BZT80140L83-Mx

General Information

- Lens Material : Silicone MS1002
- Holder Material : (Black)PBT-G15V0/(White)PBT4815
- Operating Temperature range -40°C~+200°C(upper limit +220°C).
- Storage Temperature range -40°C~+200°C(upper limit +220°C).
 - * Average transmittance in visible spectrum 400nm~700nm>90%.
- Usage and Maintenance:
 1. If necessary, clean lenses with mild soap, water and soft cloth.
 2. Never use any commercial cleaning solvents on lenses, like alcohol.
 3. Please handle or install lenses with wearing gloves, skin oils may damage lens or its optical characteristic.

Product Nomenclature



LL01CR-BZT80140L83-Mx Optical Specifications

CREE 
LED Solution Provider

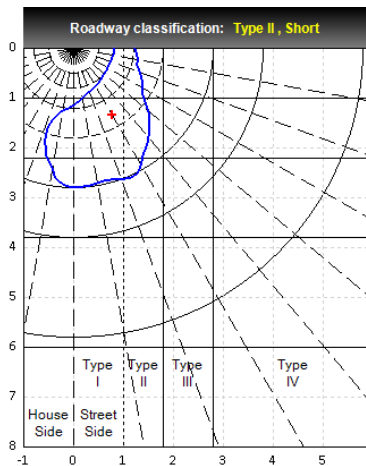
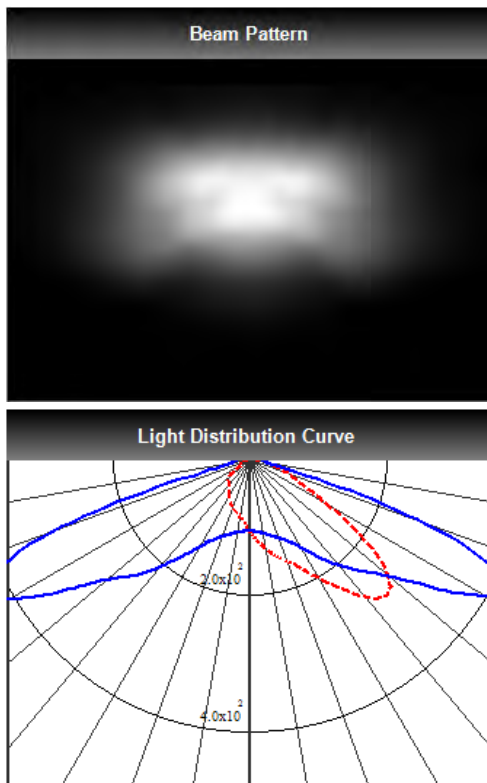


CXA15xx

Note: (1) All the results of analysis are based on 15 degrees of elevation.
(2) Tolerance: $\pm 10\%$.
(3) Led Luminous Flux(lm): 815($\pm 5\%$).

IES File: [Download](#)

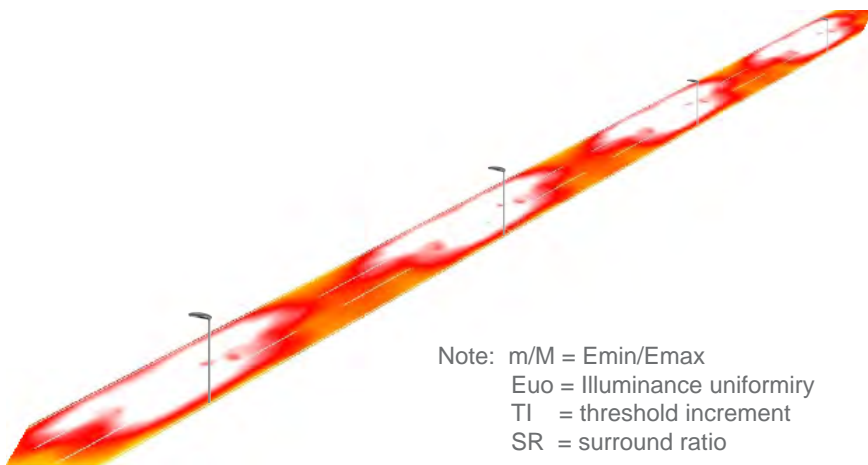
@elevation 15°



Elevation	Roadway Classification
0°	Type I, Short
5°	Type II, Short
10°	Type II, Short
15°	Type II, Short
20°	Type III, Short

DIALux Simulation Result

Analyzed file: [Download](#)



Note: $m/M = E_{min}/E_{max}$
 E_{uo} = Illuminance uniformity
 TI = threshold increment
 SR = surround ratio

Recommend configuration condition

Height	=	10m
Distance	=	35m
Roadwidth	=	10.5m
Elevation	=	15degree
Overhang	=	1m

Result

m/M	=	0.7
E_{uo}	=	0.8
TI	=	13%
SR	=	0.6

*The results would be similar if the configuration conditions are equally magnified or minified.

*This testing result is obtained through testing the popular rank LED samples which provided by the original manufacturer. Hence, the testing results would be varied as the users choose same LED model but different rank.

*The analyzed file require DIALux v4.12 and above to open.

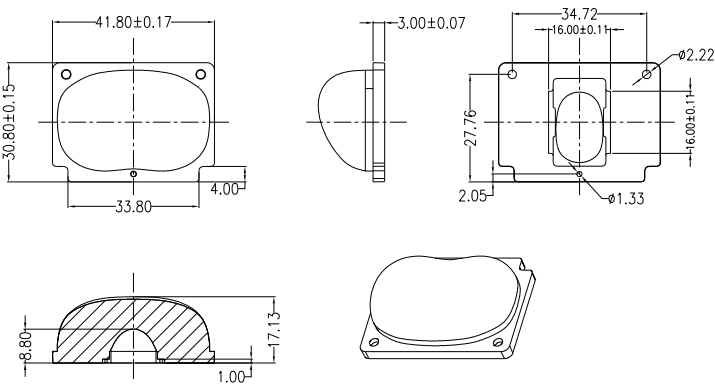
LL01CR-BZT80140L83-Mx Mechanical Specification

1. Fixing method

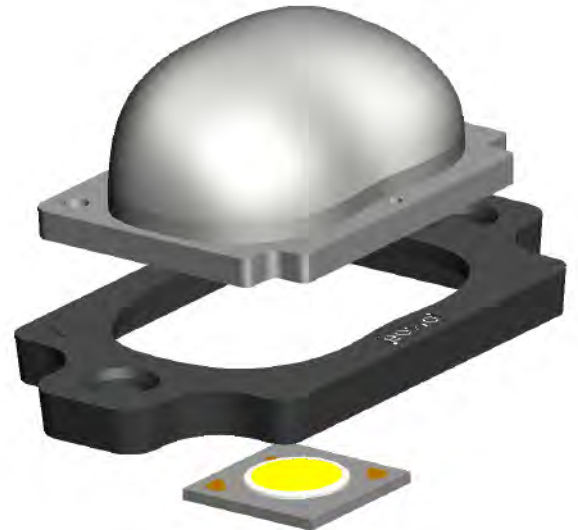
- Glue
 Screw
 Tape
 Fixing-ring
 Frame

Note: (1) All dimensions are in mm.
 (2) All measurements are ± 0.15 mm unless otherwise indicated.

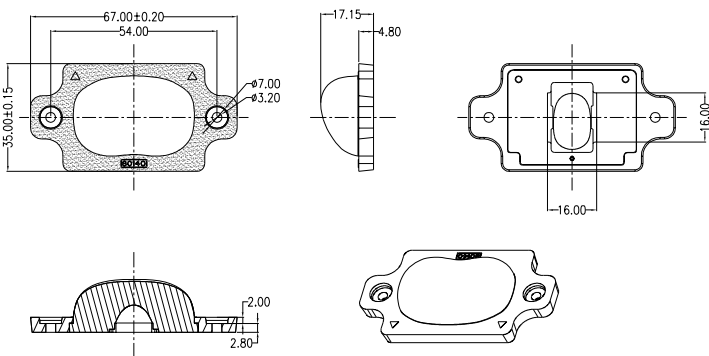
2. Lens dimension



3. Lens + Holder + Leds assembly instruction



4. Assembly dimension



5. View assembly lens with LED:



Holder part number : LL01CRTP80140Hx

LL01CR-BZT80140L83-Mx Package Specifications

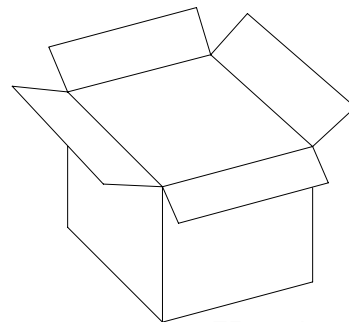
Item	Quantity	Total	Size(L*W*H)	G.W
Plastic film	1pcs/Plastic film	1pcs	26*8.02*1.17cm	17.3g
Outer layer	5pcs/Layer	5pcs		
Outer box	15 layer/Outer box	75pcs	40*37*21 cm	



1 pcs/Plastic film



5 pcs/Layer
Each layer separated by card board



75pcs /Outer box



Note: