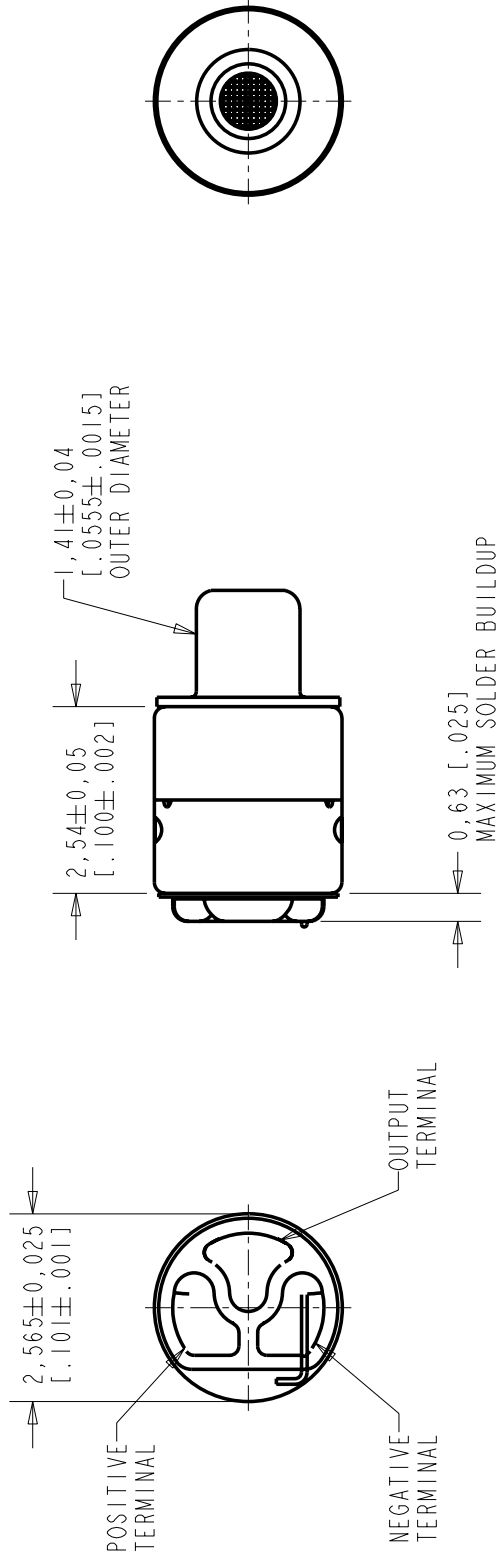


FG-3652-C36
SHT 1.1



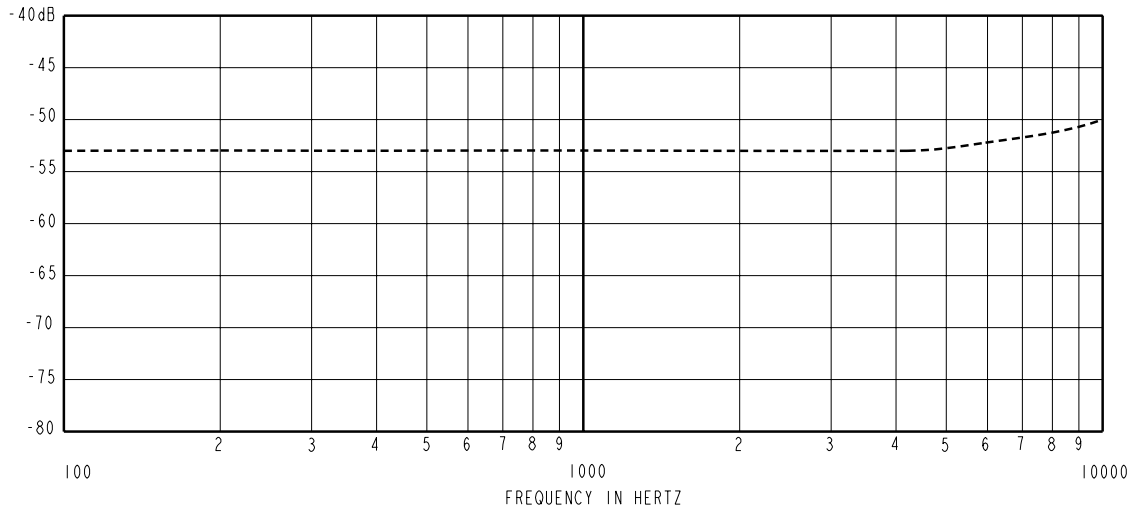
Revision	C.O. #	Implementation Date	RELEASE LEVEL	REVISION
A	M10100424	2-10-05	Released	A

SCALE: 10:1		DR. BY: MMM	DATE: 2-10-05
DO NOT SCALE DRAWING		CHK. BY: GJP	DATE: 2-15-05
TITLE: MICROPHONE		APP. BY: GJP	DATE: 2-15-05
OUTLINE DRAWING		SHT 1.1	

DIMENSIONS IN MILLIMETERS [INCHES]

KNOWLES ELECTRONICS
ITASCA, ILLINOIS U.S.A.

SENSITIVITY IN dB RELATIVE TO 1.0 VOLT/0.1 Pa (N/M²) FOR CONDITIONS SHOWN BELOW.



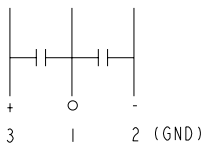
FREQUENCY	SENSITIVITY			DEVICE CONFORMITY	
	MIN.	NOM.	MAX.	RANGE OF DEVIATION FROM 1KHz	
100	---	-53.0	---	-3.0	+3.0
1000	-56.0	-53.0	-50.0	0.0	0.0
10000	---	-50.0	---	0.0	+6.0

- NOTES:
1. CASE CONNECTED TO NEGATIVE TERMINAL.
 2. MICROPHONE TO BE FUNCTIONAL WITH 1.6 VDC SUPPLY.
 3. TYPICAL SENSITIVITY TO HUMIDITY AT 1000Hz IS 0.06 dB/%RH
 4. SENSITIVITY AND NOISE VALUES INDICATED ON THIS SPECIFICATION ARE VALID AT 50% HUMIDITY.

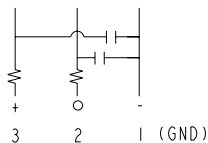
DC SUPPLY	AMPLIFIER CURRENT DRAIN	SENSITIVITY CHANGE ON REDUCING SUPPLY TO 0.9VDC	"A" WEIGHTED NOISE (1 kHz EQUIV. SPL)	OUTPUT IMPEDANCE OHMS			CAPACITANCE ±50%	
				MIN.	NOM.	MAX.	1-2	1-3
1.3V	50 µA MAX.	3 dB MAX.	28.0 dB MAX.	2800	4400	6800	33pF	33pF

CAPACITANCE PROBE POINTS

"C" VERSION ONLY



CX VERSION



Revision	C.O. #	Implementation Date	RELEASE LEVEL	REVISION
			Released	A
A	M10100424	2-10-05		
WHEN TEST LIMITS ARE USED TO ESTABLISH INCOMING INSPECTION ACCEPTANCE/REJECTION CRITERIA, CORRELATION OF TEST EQUIPMENT WITH KNOWLES IS ALSO REQUIRED FOR ELIMINATION OF EQUIPMENT AND TEST METHOD VARIATION				
TITLE: MICROPHONE			FG-3652-C36	DR. BY DATE MMM 2-10-05
PERFORMANCE SPECIFICATION			SHT 2.1	CK. BY DATE GJP 2-15-05
				APP. BY DATE GJP 2-15-05

KNOWLES ELECTRONICS
ITASCA, ILLINOIS U.S.A.