

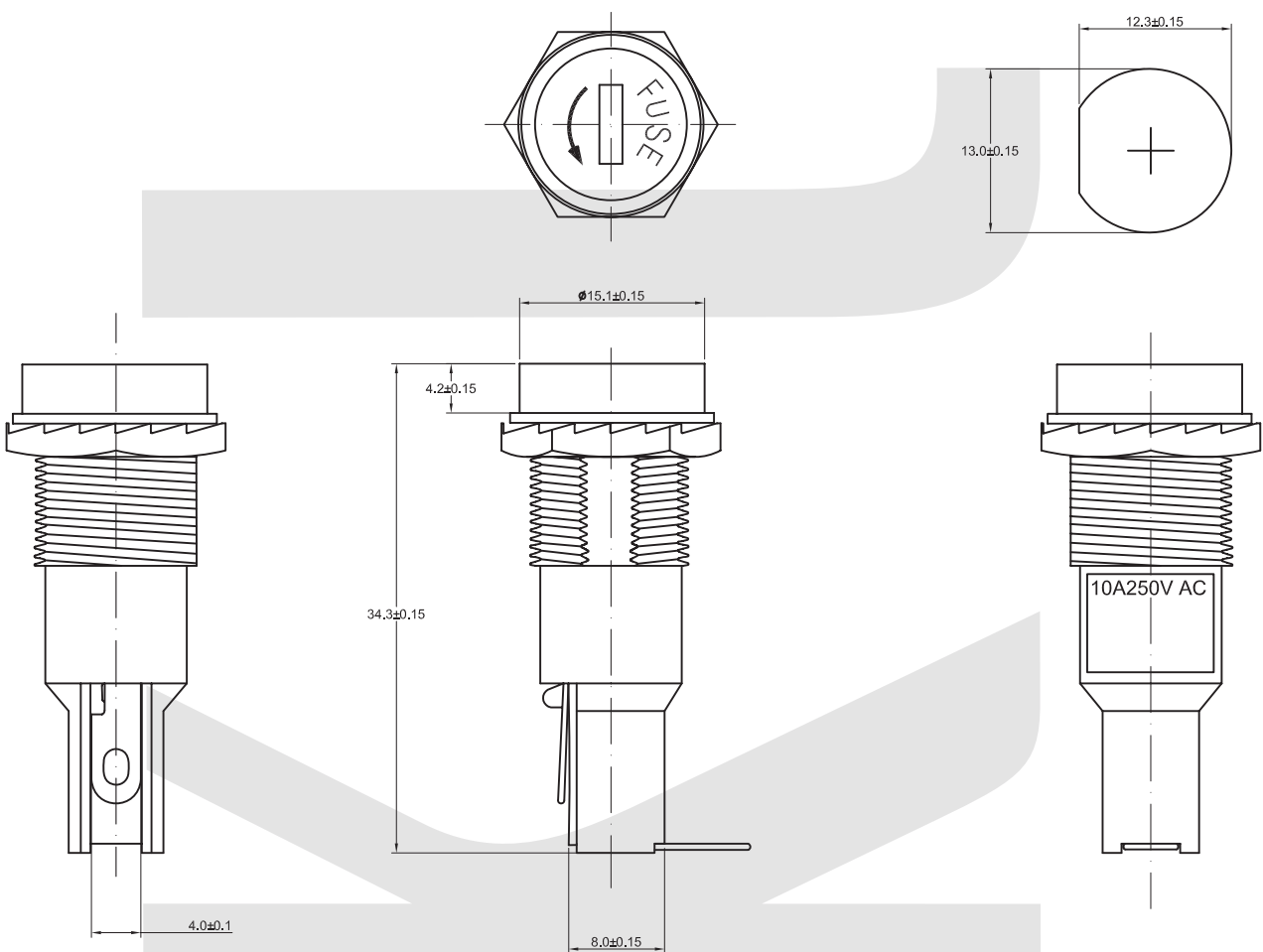
FUSE AND FUSE HOLDER

Fuse holder Series



Suitable fuse: $\phi 5.2 \times 30\text{mm}$
Maximum rated value: 10A.250V.AC
Holder: High temperature resisting flame-retarded plastic
Pole: Silver-plating brass

KLS5-FH101



FUSE AND FUSE HOLDER

Fuse holder Series

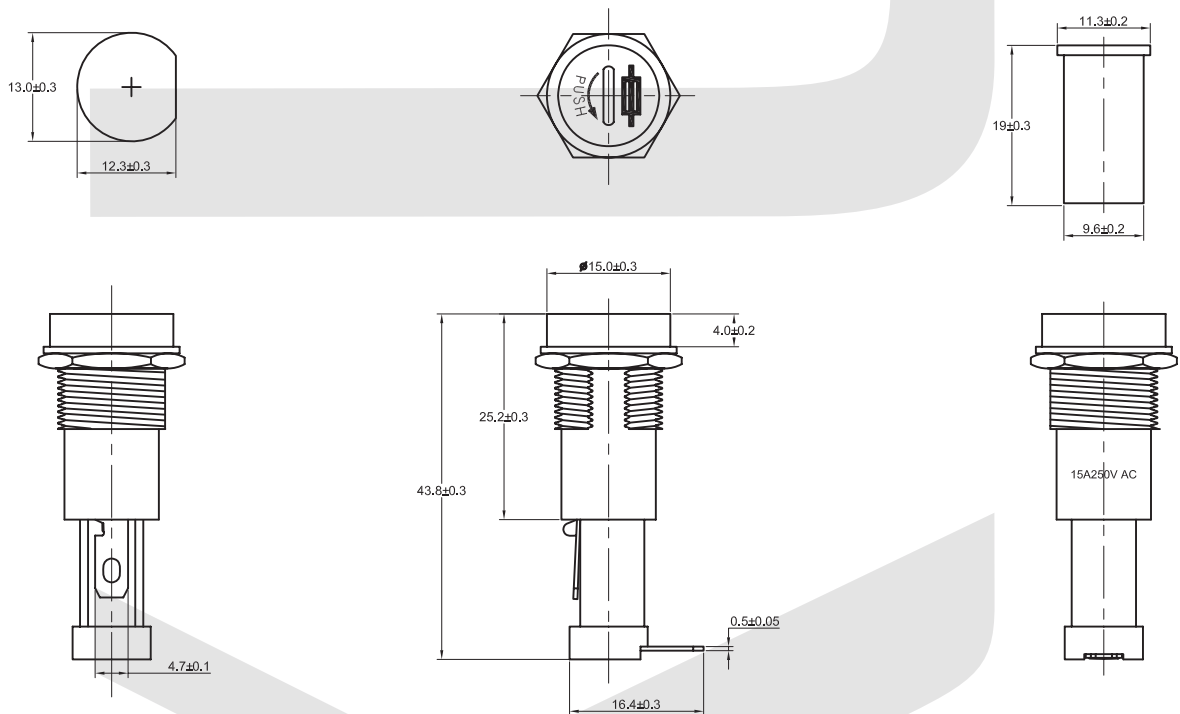


Suitable fuse: $\phi 6.35 \times 30\text{mm}$
Maximum rated value: 15A.250V.AC
Holder: High temperature resisting flame-retarded plastic
Pole: Silver-plating brass



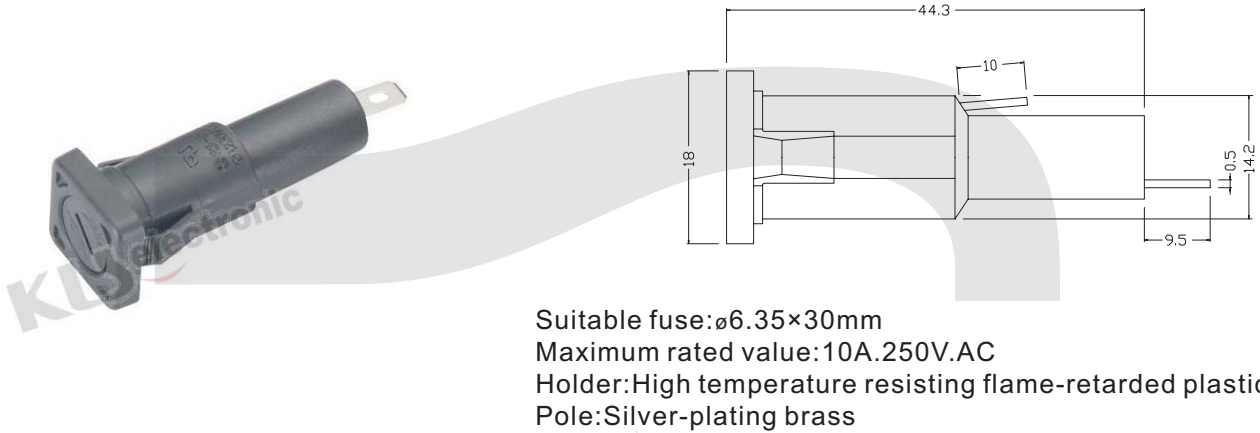
KLS5-FH102

Recommend hole sizes



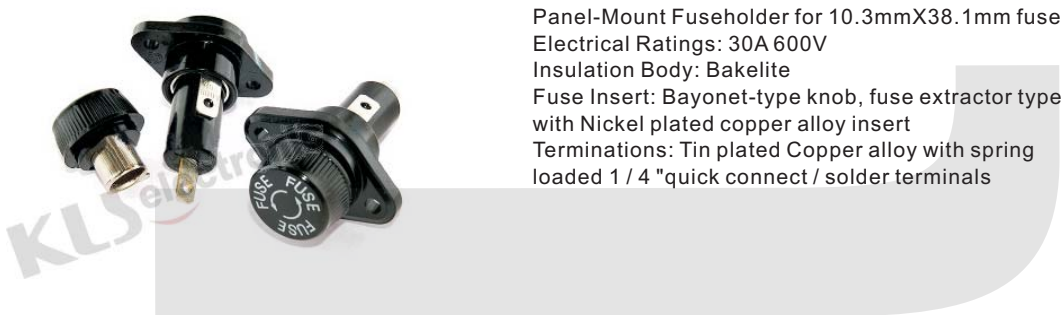
FUSE AND FUSE HOLDER

Fuse holder Series



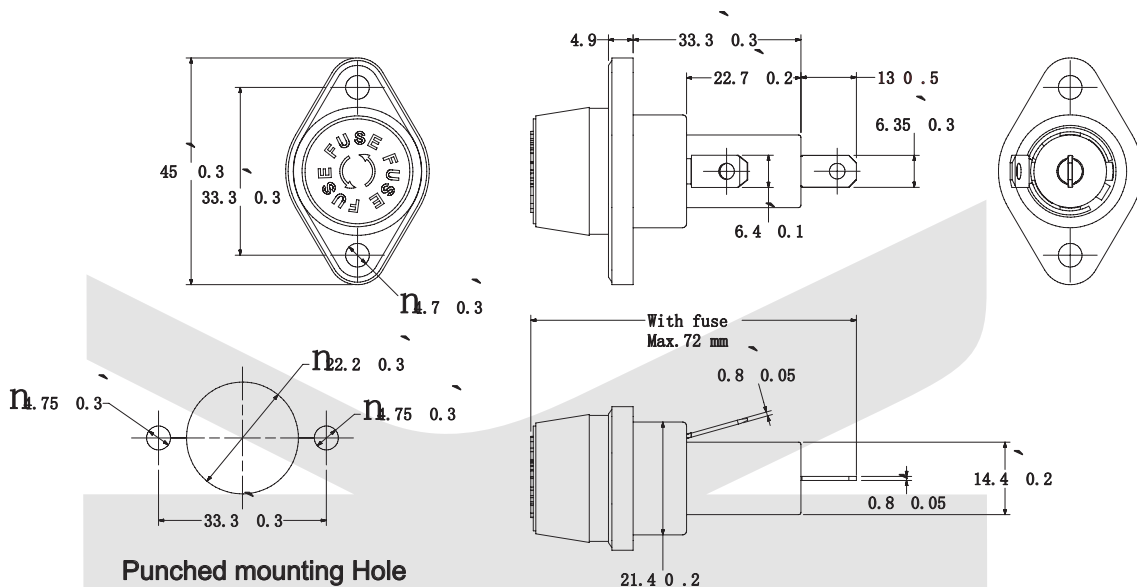
Suitable fuse: $\phi 6.35 \times 30 \text{mm}$
 Maximum rated value: 10A.250V.AC
 Holder: High temperature resisting flame-retarded plastic
 Pole: Silver-plating brass

KLS5-108



Panel-Mount Fuseholder for 10.3mmX38.1mm fuse
 Electrical Ratings: 30A 600V
 Insulation Body: Bakelite
 Fuse Insert: Bayonet-type knob, fuse extractor type with Nickel plated copper alloy insert
 Terminations: Tin plated Copper alloy with spring loaded 1/4 "quick connect / solder terminals

KLS5-109



Punched mounting Hole

FUSE AND FUSE HOLDER

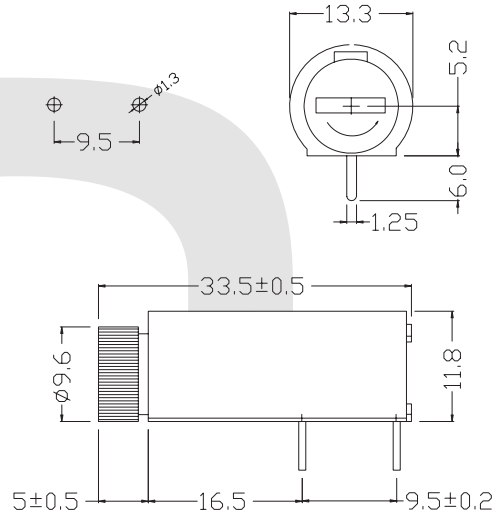


Fuse holder Series



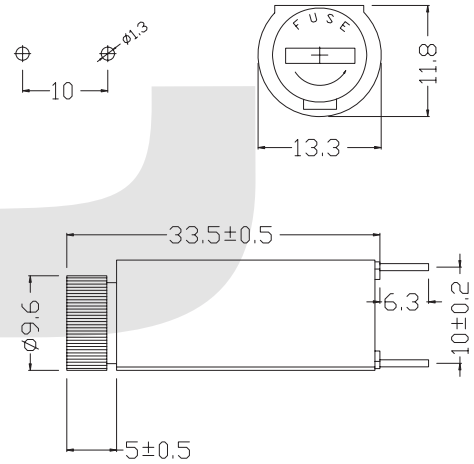
KLS5-110

Suitable fuse: $\phi 5.2 \times 20\text{mm}$
 Maximum rated value: 10A.250V.AC
 Holder: High temperature resisting flame-retarded plastic
 Pole: Silver-plating brass



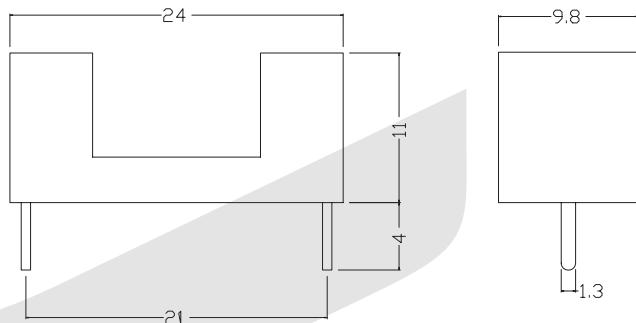
KLS5-111

Suitable fuse: $\phi 5.2 \times 20\text{mm}$
 Maximum rated value: 10A.250V.AC
 Holder: High temperature resisting flame-retarded plastic
 Pole: Silver-plating brass



KLS5-242

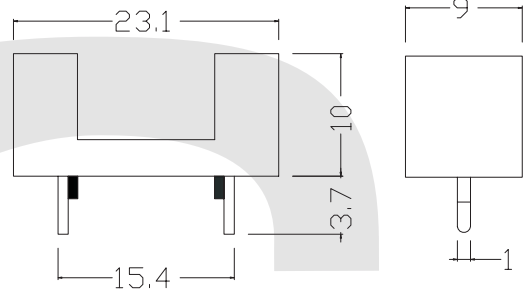
Suitable fuse: $\phi 5.2 \times 20\text{mm}$
 Maximum rated value: 6A.250V.AC
 Holder: High temperature resisting flame-retarded plastic
 Clip pole: Silver-plating brass



FUSE AND FUSE HOLDER

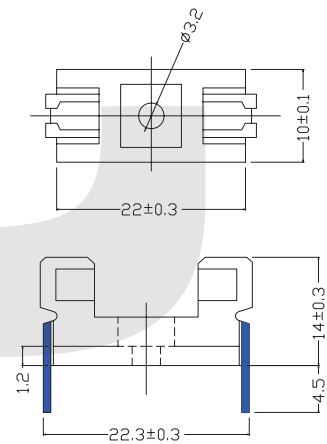
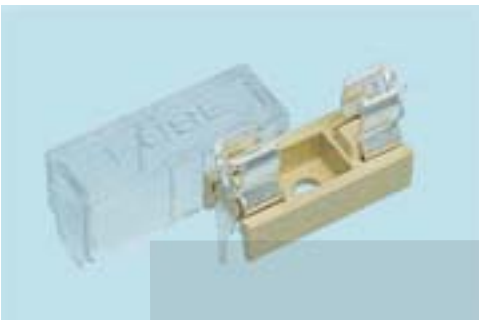


Fuse holder Series



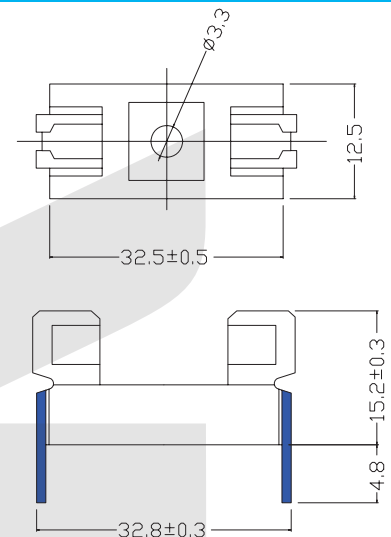
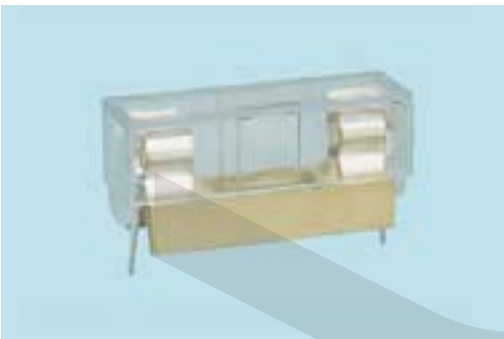
KLS5-1098

Suitable fuse: $\phi 5.2 \times 20\text{mm}$
Maximum rated value: 6A.250V.AC
Holder: High temperature resisting flame-retarded plastic
Clip pole: Silver-plating brass



KLS5-243

Suitable fuse: $\phi 5.2 \times 20\text{mm}$
Maximum rated value: 6A.250V.AC
Holder: High temperature resisting flame-retarded plastic
Clip pole: Silver-plating brass



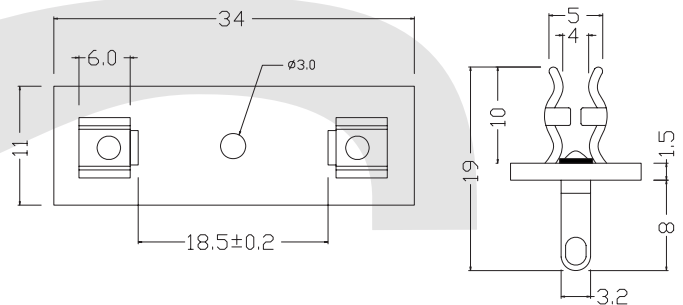
KLS5-244

Suitable fuse: $\phi 6.35 \times 30\text{mm}$
Maximum rated value: 6A.250V.AC
Holder: High temperature resisting flame-retarded plastic
Clip pole: Silver-plating brass

FUSE AND FUSE HOLDER

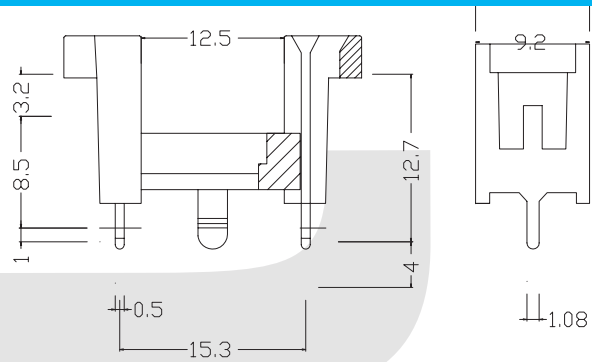
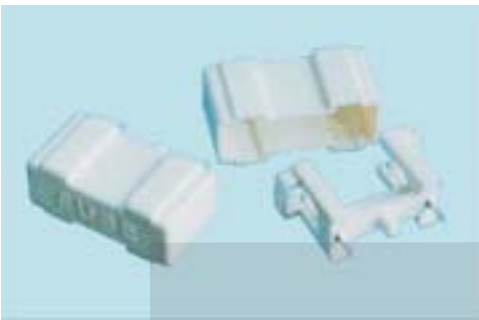


Fuse holder Series



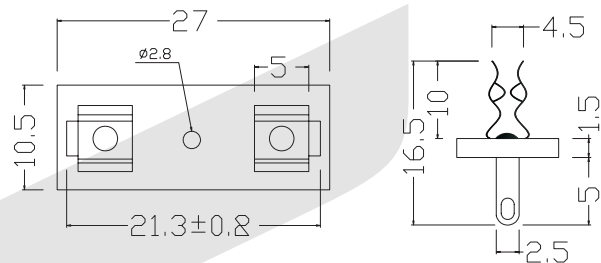
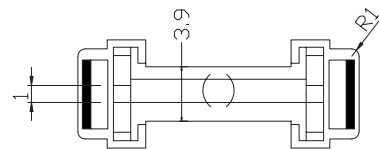
KLS5-249

Suitable fuse: $\phi 6.35 \times 30$ mm
Maximum rated value: 6A.250V.AC
Holder: Epoxy plate
Clip pole: Silver-plating brass



KLS5-251

Suitable fuse: $\phi 5.2 \times 20$ mm
Maximum rated value: 6A.250V.AC
Holder: High temperature resisting flame-retarded plastic
Clip pole: Silver-plating brass



KLS5-248

Suitable fuse: $\phi 5.2 \times 20$ mm
Maximum rated value: 6A.250V.AC
Holder: Epoxy plate
Clip pole: Silver-plating brass

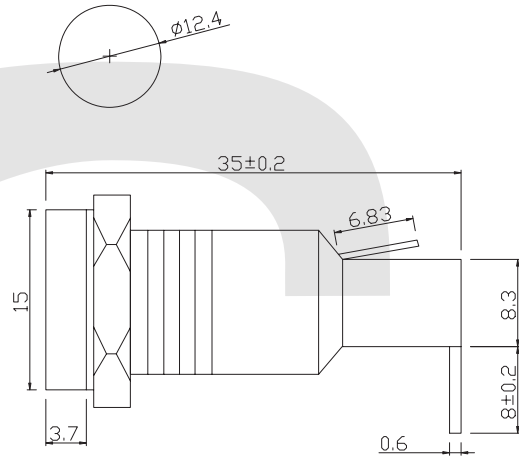
FUSE AND FUSE HOLDER

Fuse holder Series



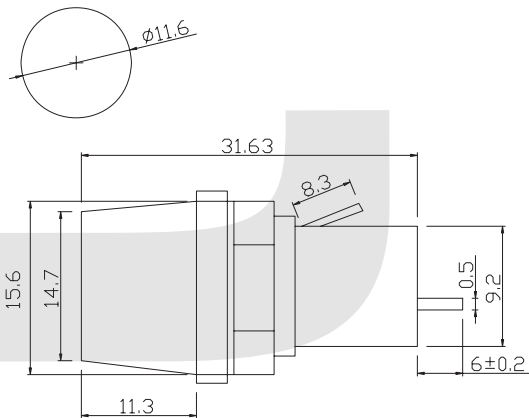
KLS5-258

Suitable fuse:5.2×20mm
Maximum rated value:15A.250V.AC
Casing:High temperature resisting flame-retarded plastic
Pole:Silver-plating brass



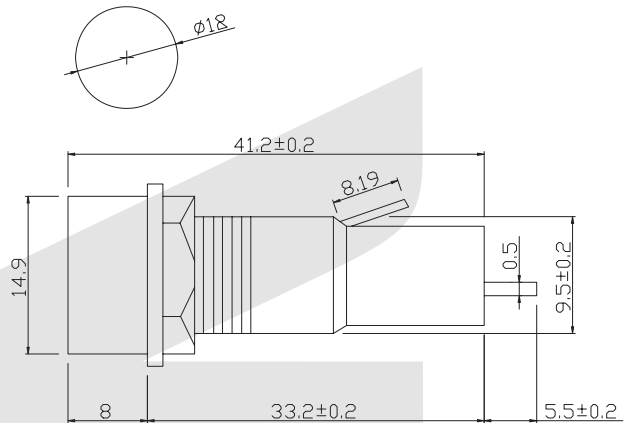
KLS5-259

Suitable fuse:5.2×20mm
Maximum rated value:30A.250V.AC
Casing:Bakelite
Pole:Silver-plating brass



KLS5-260

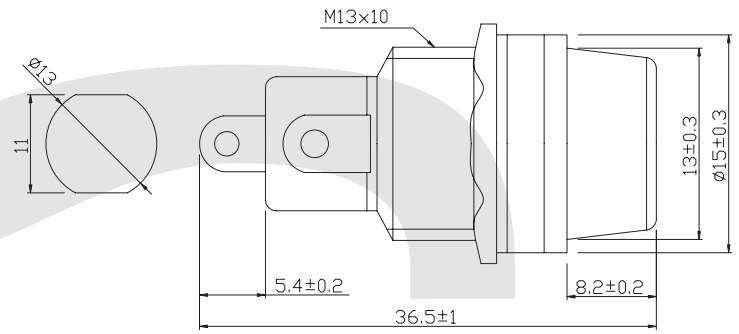
Suitable fuse:5.2×20mm
Maximum rated value:30A.250V.AC
Casing:Bakelite
Pole:Silver-plating brass



FUSE AND FUSE HOLDER

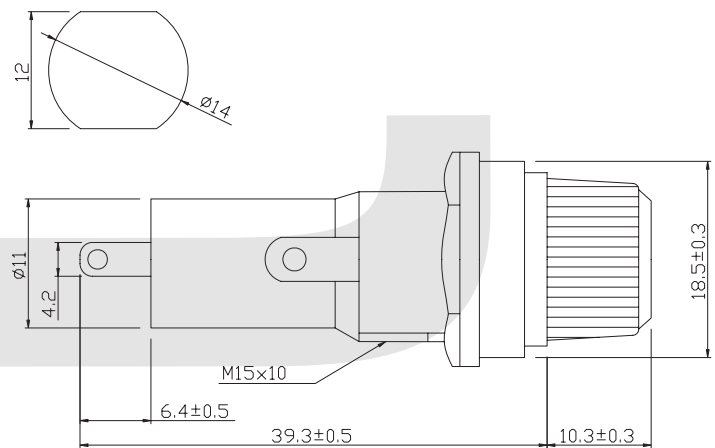


Fuse holder Series



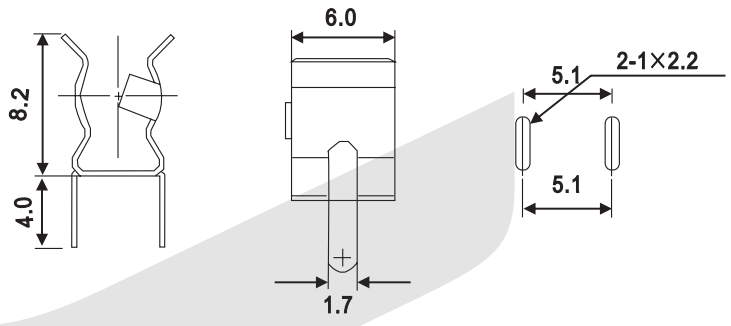
KLS5-254

Suitable fuse: $\phi 5.2 \times 20\text{mm}$
 Maximum rated value: 10A.250V.AC
 Casing: High temperature resisting flame-retarded plastic
 Pole: Silver-plating brass



KLS5-255

Suitable fuse: $6.35 \times 30\text{mm}$
 Maximum rated value: 6A.250V.AC
 Casing: Bakelite
 Pole: Silver-plating brass

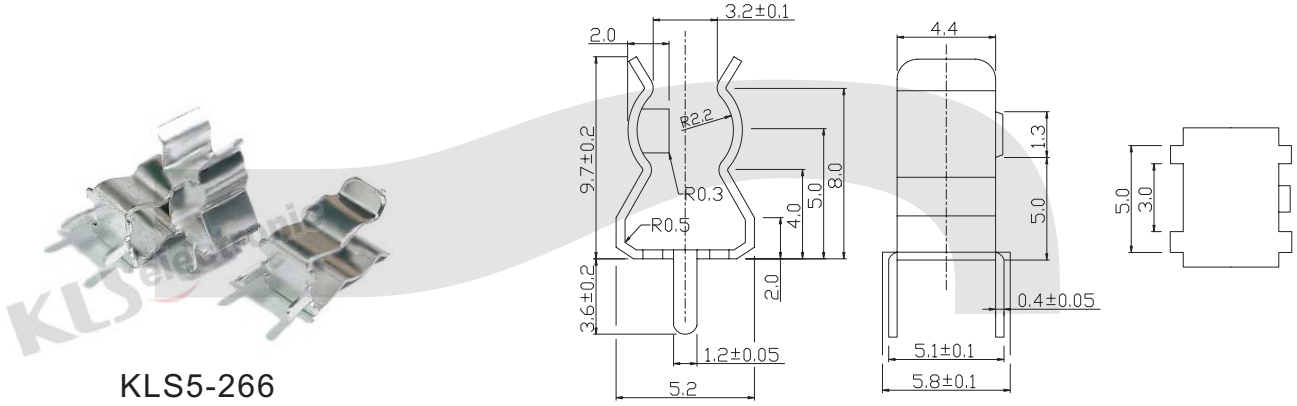


KLS5-001

Suitable fuse: $\phi 5.2 \times 20\text{mm}$
 Maximum rated value: 10A. 250V. AC
 Material: Silver-plating(nickel-plating)copper(spring copper)

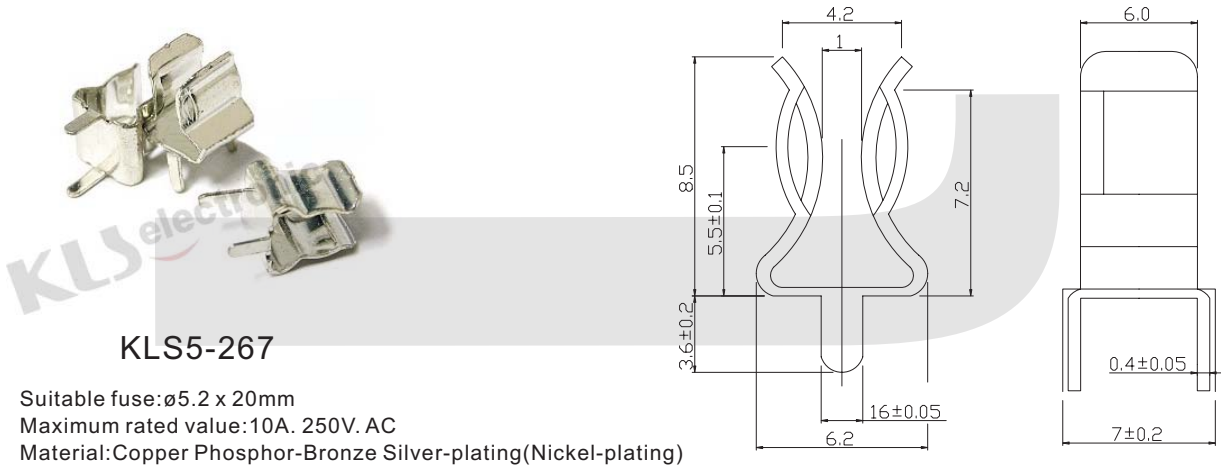
FUSE AND FUSE HOLDER

Fuse holder Series



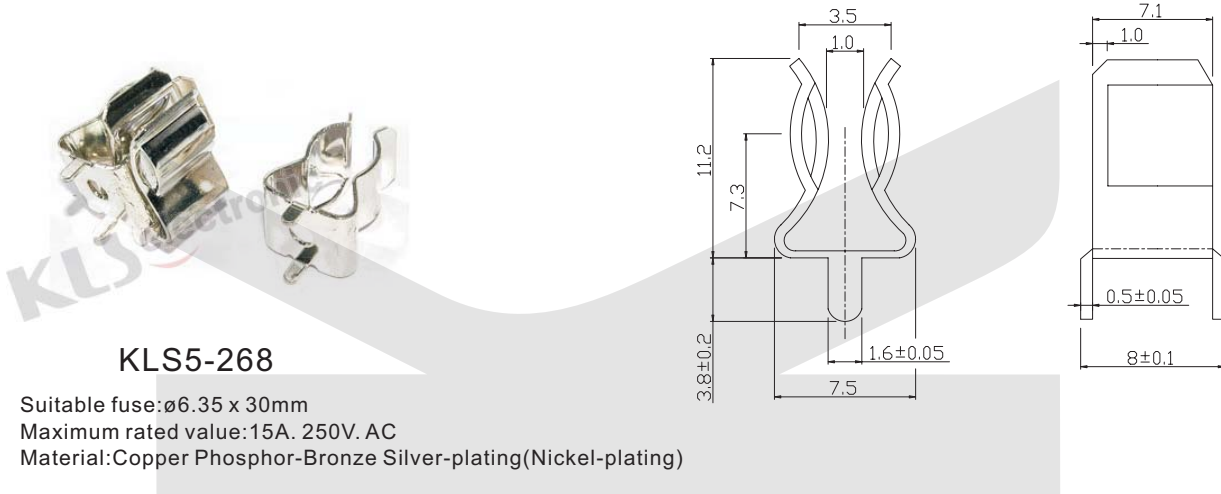
KLS5-266

Suitable fuse: $\phi 5.2 \times 20\text{mm}$
 Maximum rated value: 10A, 250V, AC
 Material: Copper Phosphor-Bronze Silver-plating(Nickel-plating)



KLS5-267

Suitable fuse: $\phi 5.2 \times 20\text{mm}$
 Maximum rated value: 10A, 250V, AC
 Material: Copper Phosphor-Bronze Silver-plating(Nickel-plating)



KLS5-268

Suitable fuse: $\phi 6.35 \times 30\text{mm}$
 Maximum rated value: 15A, 250V, AC
 Material: Copper Phosphor-Bronze Silver-plating(Nickel-plating)

