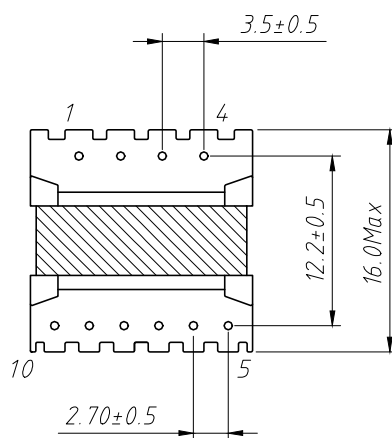
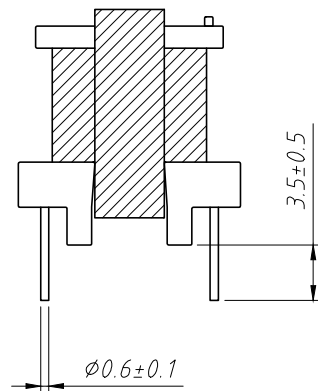
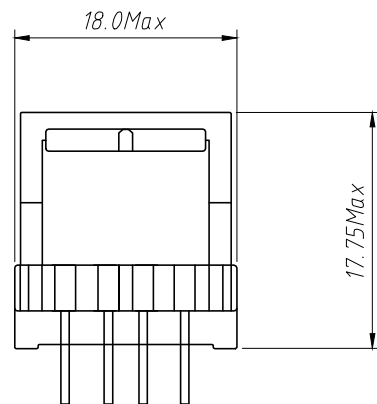
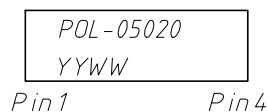


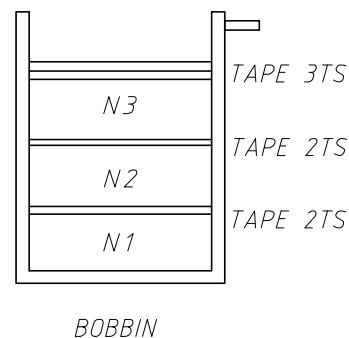
RoHS Compliance



Top Marking



Winding Construction:



Winding:

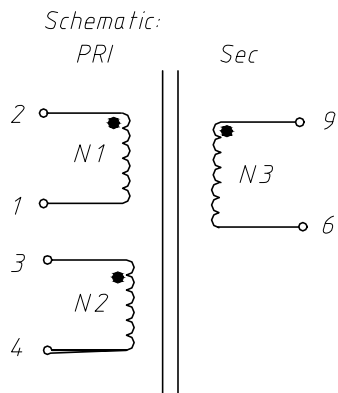
Wdg	Terminal	Wire Size	Turns	Tape	Remarks
N1	2-1	2UEW $\phi 0.17 \times 1P$	74 TS	2TS	
N2	3-4	2UEW $\phi 0.35 \times 1P$	18 TS	2TS	
N3	9-6	TIW $\phi 0.45 \text{mm} \times 1P$	8 TS	3TS	

Technical Parameter

NO.	Item	Measured Point	Technical Data	Testcondition & Instrument
1	Inductance	L 2-1	500uH $\pm 10\%$	100KHz, 0.3V
2	HI-POT	Pri to Sec	1.5KV5mA, 60s	epe 7112
		Coil to Core	1.0KV5mA, 60s	

Material List:

NO.	Item	Materials	Rating	Remarks
1	Bobbin	Phenolic T375J	130°C	
		UL Rating: 94 V-0		
2	Core	PC40 EE16	
3	Wire	2UEW	130°C	
		T.1.W		
4	Tape	PZ-280	130°C	
5	Varnish	T4260A	130°C	



ANGLE TOLERANCE	PROJECTION	Description:
$\pm 3^\circ$		Flyback Transformer
GENERAL TOLERANCE	UNITS	mm
x.x ± 0.30	SHEET SIZE	A4
x.xx ± 0.20	Draw:	Daniel
x.xxx ± 0.10	Check:	Daniel



NingBo KLS ELECTRONIC CO.,LTD.