

RoHS Compliance

REV	SYM	Revision Record	Appr.	Date
V0	KLS07133	New Version Release	Jenny	2016-8-2
V1.0	①	Process Improvement	Jenny	2023-8-1

Material:

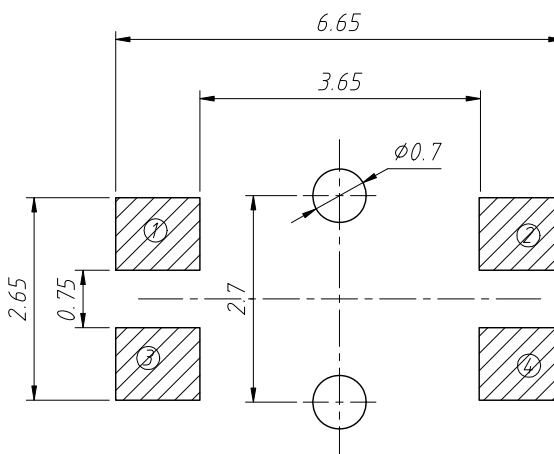
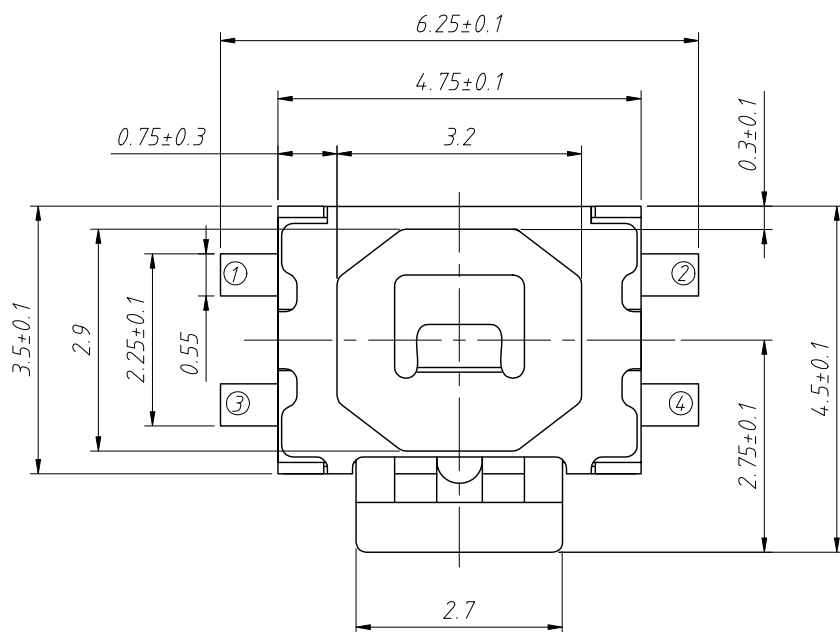
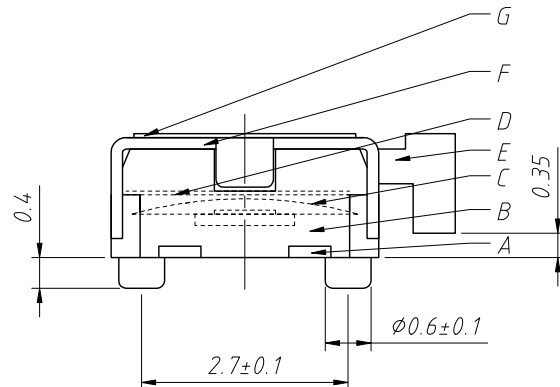
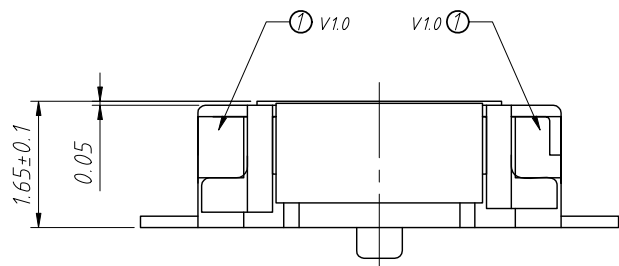
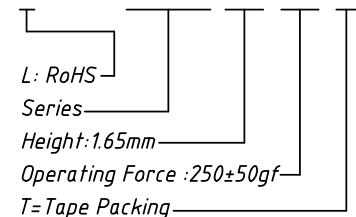
- A Card: Phosphor Copper 0.15, Silver Plating
- B Base: PPA, Black
- C Reed: Imported stainless steel coated with silver
- D Dustproof film: Polyimide
- E Button: PA46, Gray
- F Cover plate: Stainless steel 0.15, Pickling
- G Outer dust-proof: Polyimide

Electrical Specification:

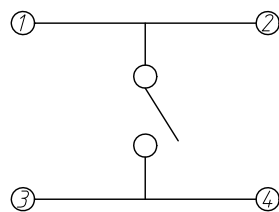
- Current Rating: 50mA, 12V DC
- Contact Resistance: 200mΩ Max.
- Insulation Resistance: 100MΩ 1min, 100V DC
- Dielectric voltage proof: 250V for 1min
- Operating Force: 250±50gf
- Solder temperature: 260±5℃
- Average fault-free life: 30000 Cycles
- Operating Temperature Range: -20℃~70℃

Order Information:

L-KLS7-TS6617-1.65-250-T



Installation reference diagram



Schematic diagram

ANGLE TOLERANCE	PROJECTION	Description:
±3°		SMD Tactile Switch
GENERAL TOLERANCE	UNITS	mm
x.x ±0.30	SHEET SIZE	A4
x.xx ±0.20	Draw:	Jenny
x.xxx ±0.10	Check:	Daniel

L-KLS7-TS6617-1.65-250-T



NingBo KLS ELECTRONIC CO.,L.TD.