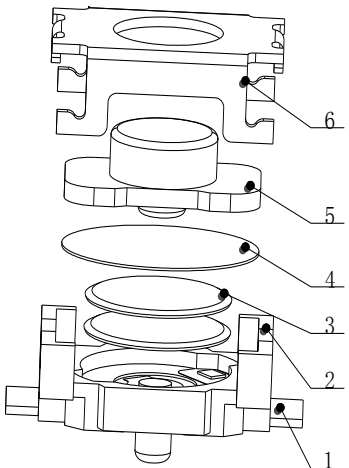
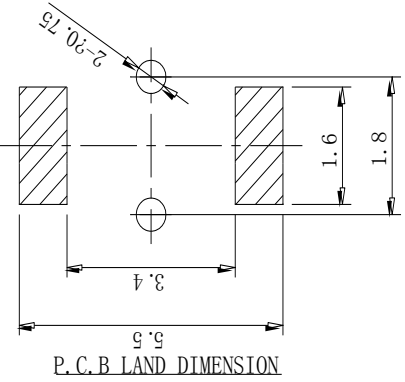
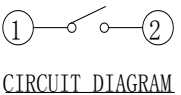


REV (版本)	MARK (标记)	DESCRIPTION (描述)	DATE (日期)	APPROVED (批准)



- SPECIFICATION
1. Rating:DC 12V 50mA Max
 2. Contact resistance: 100mΩ MAX
 3. Insulation resistance: 100MΩ Min
 4. Dielectric strength: 250VAC/min
 5. Operating force: 180gf±30gf
 6. Operating life: 100,000 cycles

L-KLS7-TS3404-2.0-180-T

NINGBO KLS ELECTRONIC CO.,LTD

NO (序号)	PART NAME (部件名)	QTY (数量)	MATERIAL (材料)	REMARK (备注)
6	COVER (盖板)	1	SUS304	—
5	STEM (按钮)	1	LCP	BLACK
4	TAPE (防尘胶)	1	PI	—
3	CONTACT FORM (弹片)	2	SUS301	Silver coated
2	HOUSING (基座)	1	LCP	BLACK
1	TERMINAL (端子)	1	PHOSPHOR BRONZE (C5191Y)	Ag plating

UNSPECIFIED TOLERANCE 未指定的公差	DRAWN 制图	DATE 日期	SCALE: 10:1 比例	ITEM 产品类型	TACT SWITCH 轻触开关
ANGULAR (角度) ±0.5°	CHKD 审核	QW. HONG	2011. 10. 14	VIEW:	PART NO 型号
16 < L ≤ 63 ±0.4	APVD 批准	XK. WANG	2011. 10. 14	UNIT: mm 单位	DWG. NO 图号
4 < L ≤ 16 ±0.3		GJ. ZHAO	2011. 10. 14		
L ≤ 4 ±0.2					