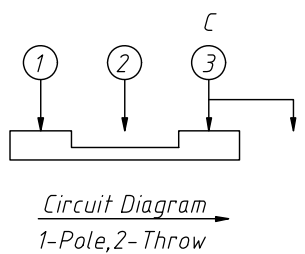
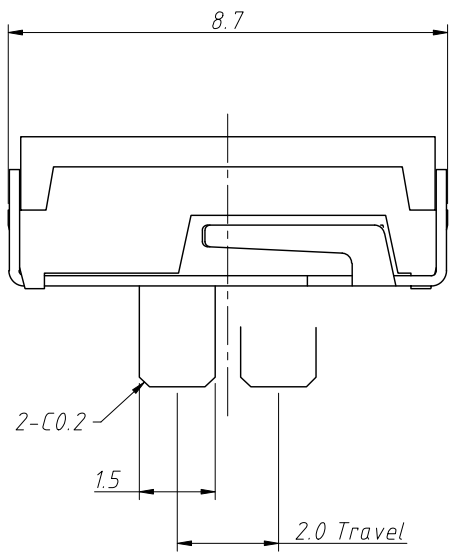
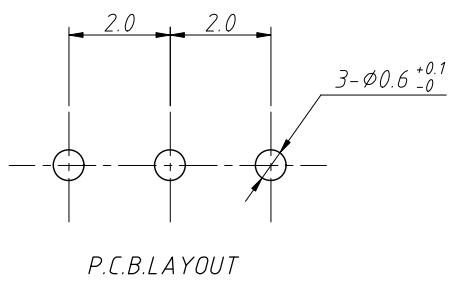
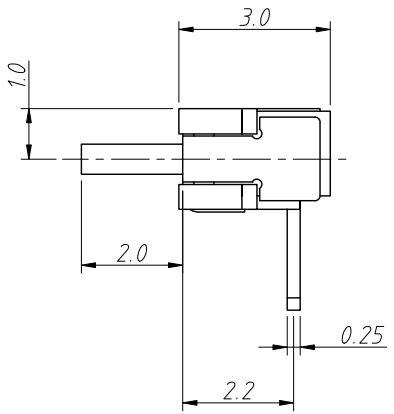
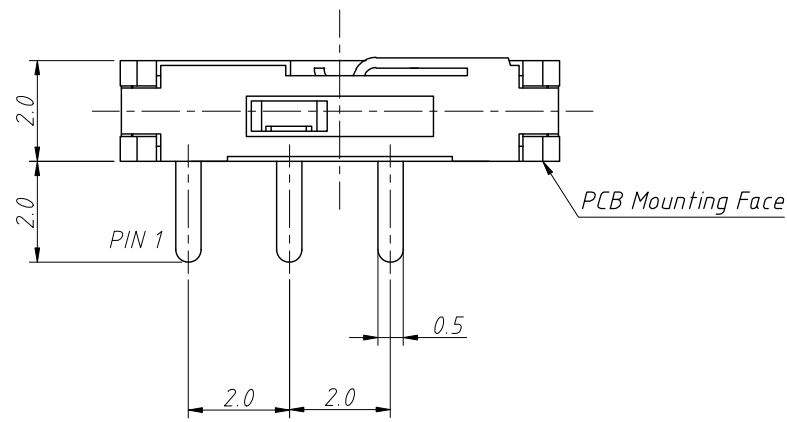


1
RoHS Compliance

6	7	8
REV	SYM	Revision Record
V0	KLS07053	New Version Release
		Appr. Song
		Date 2023-12-26



Notes:
 1.Material:
 Knob:Nylon PA46,Black
 Metal Cover:Stainless Steel ,Natural
 Housing:Nylon PA46,Coffee
 Terminal:Brass C2680,Ag Plated
 Contact Clip:PBS C5210-EH, Ag Clad



ANGLE TOLERANCE	PROJECTION	Description:	Mini Slide Switch	
$\pm 3^\circ$				
GENERAL TOLERANCE	UNITS	mm	KLS P/N:	L-KLS7-MSK-12D18
x.x ± 0.30	SHEET SIZE	A4		
x.xx ± 0.20	Draw:	Song	2023-12-26	NingBo KLS ELECTRONIC CO.,L TD.
x.xxx ± 0.10	Check:	Daniel	2023-12-26	