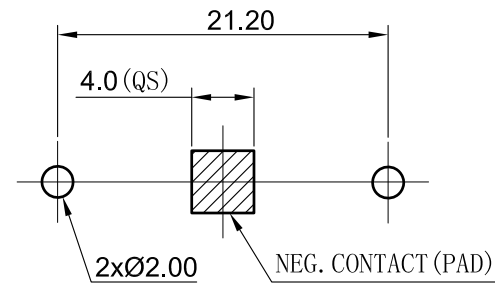
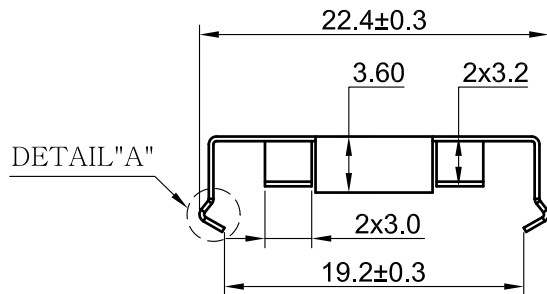
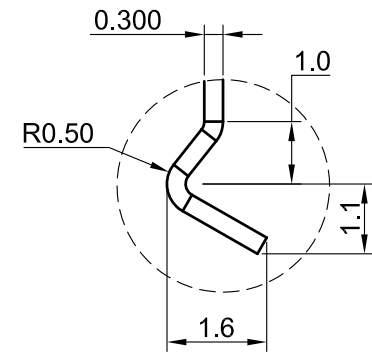
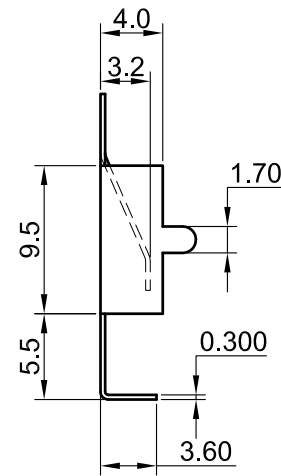
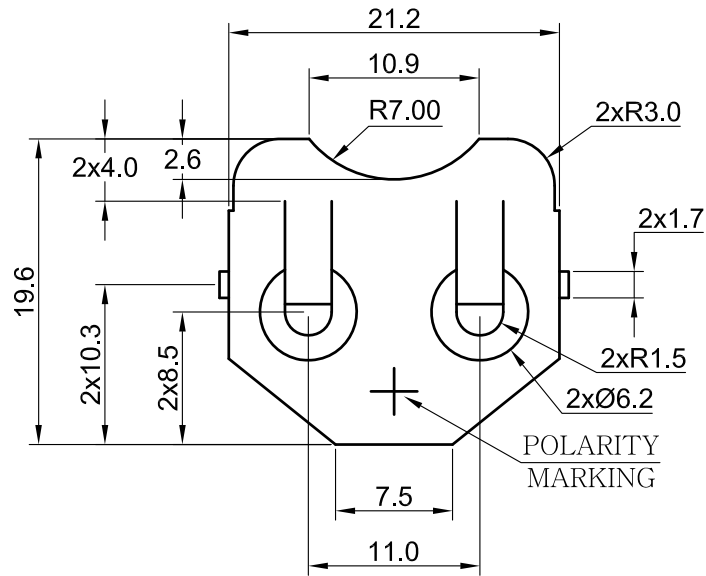


REV	DESCRIPTION	DATE
A0	INITIAL RELEASE	2014-08-10



PCB Mounting Layout

NOTES:

1. MATERIAL:
 - a. 0.25MM THICK PHOSPHOR BRONZE NICKEL PLATED
2. ELECTRIC:
 - a. CURRENT RATING : 3A (AC/DC)
 - b. DIELECTRIC VOLTAGE: 500V AC ONE SEC LEVEL
 - c. CONTACT RESISTANCE: 30 MILLIOHMS MAX
 - d. INSULATION RESISTANCE: 100 MILLIOHMS MIN
 - e. OPERATING TEMPERATRUE: -40° ~ +105°
 - f. HUMIDITY: 40° C AND 90-95% RH FOR 48 HOURS
3. RoHS COMPLIANT

NINGBO KLS ELECTRONIC CO.,LTD			
UNLESS OTHERWISE SPECIFIED TOLERANCES		MATERIAL: SEE NOTES	DESIGN BY Zhang jianbing 2014/08/08
DECIMALS		FINISH: SEE NOTES	CHECKED BY Wang quchun 2014/08/09
ANGLES		APPROVED BY Zhu changyan 2014/08/10	
X : ±0.30	X : ±3°	TITLE BATTERY CLIP	
X.X : ±0.25	X.X : ±1°	DWG NO. L-KLS5-CR203-09B	
X.XX : ±0.20		REVISION A0	
X.XXX : ±0.10		UNIT MM	SCALE 2:1
		SHEET 1 OF 1	

these drawings and specifications are the property of MQC, are Issued in strict confidence and shall not be reproduced, or copied, or used as the basis for the manufacture, or sale of apparatus without prior written permission