

Product Specification

Number: L-KLS22-AV-F9225MSD12-L700

Name: DC 92*92*25 FAN

Specification: _____

Customer: B36

Date: 2021-04-22

Customer Signature:



NINGBO KLS ELECTRONIC CO; LTD

Tel : 0086-574-86828566

Fax : 0086-574-86824882

ADD : NO. 8-1, RONGXIA RD. XIAPU SHANQIAN
INDUSTRIAL ZONE BEILUN NINGBO ZHEJIANG.

Compile	Check	Review	Approval
Jenny	Jack.C		

规格说明书 Specifications

1. 机构 Mechanical:	
1-1. 外观尺寸 External dimension	参考附图 Refer to drawing
1-2. 重量 Weight	86g/pcs
1-3. 轴承 Bearing	双滚珠轴承 Ball bearing
2. 电气特性 Electrical characteristics (在通风及额定电压条件下 in free air at rated voltage)	
2-1. 额定电压 Rated voltage	12V
2-2. 额定电流 Rated current	0.14±0.02 A
2-3. 额定输入功率 Rated input power	1.68W
3. 效率 Efficiency	
3-1. 风扇转数 Rated speed	3000RPM±10%
3-2. 最大风量 Maximum air flow	51.23CFM
3-3. 最大静压 Maximum static air pressure	0.15Inch-H2O
4. 特性规格 Characteristics	
4-1. 操作电压 Operating voltage range	10-14V
4-2. 起动电压 Starting voltage	6V (ON/OFF)
4-3. 锁定电流 Locked current	0A
4-4. 操作温度 Operating temperature	-10°C~+60°C
4-5. 储存温度 Storage temperature	-30°C~+70°C
4-6. 环境湿度 Environment humidity	10% (RH) 45°C for24 hours & 98%(RH) 45°C for24 hours
4-8. 绝缘阻抗强度 Insulation resistance	在本体与两条导线间加 500V 直流电压之绝缘阻抗在 10M Ω 以上 At least 10MΩ at 500VDC between housing and both lead wires.
4-9. 绝缘耐压强度 Dielectric strength	必须能抵抗在本体与两线间加 500V 交流电压 1 分钟 1mA。 Withstand 500 VAC 1 minute 1mA between housing and both lead wires.
4-10. 预期寿命 (MTBF): 指在额定电压及正常温度 (25°C), 湿度条件下连续运转 Life expectance: continuous operation at rated voltage and normal temperature & humidity	
4-10-1 滚珠轴承预期寿命: 50000 小时 50000hrs at 40°C 相对湿度 15%~65%RH	

规格说明书
Specifications

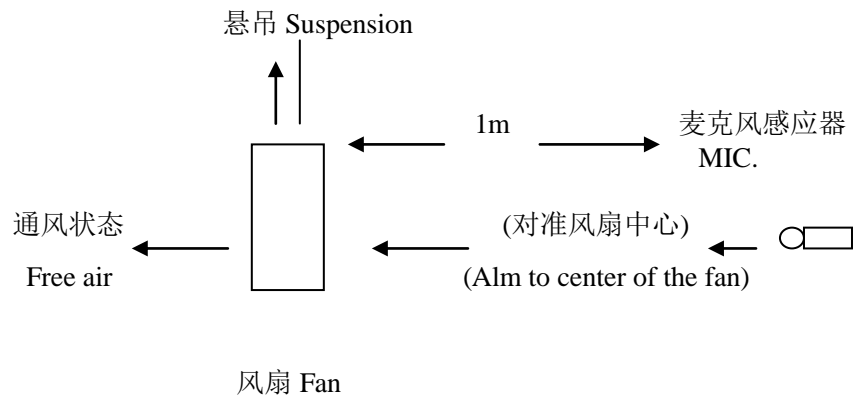
4-11 端子抗拉强度 Tensile strength of connector

端子以 1 公斤的拉力拉扯 15 秒不会脱落
Connector will not be any broken at 1kg for 15seconds per piece.

4-12.噪音分贝 Acoustic sound level

34.0dBA (Max)

4-12-1.噪音测试说明 Acoustic sound level test descriptions
以额定电压在噪音实验室中测试（背景噪音 14.9 分贝以内）
At rated voltage in sound proofroom
Background noise:14.9dBA



4-13. 特性定义 Characteristics

4-13-1. 额定电流 & 额定转速 & 额定操作功率，须在额定电压下；马达连续转 5 分钟达到规格下限，10 分钟达到正常值

Rated current, rated speed, and rated input power shall reach bottom line of specification after 5 minutes Continuous rotation at rated voltage and reach standard specification after 10 minutes continuous voltage.

6-13-2. 起动电压是指突然通电后能够使风扇起动之最低电压

Starting voltage is the least voltage that enables to start the fan by sudden power on

5. 保护功能 Protection

5-1. 后向电压测试：以电源电压作反向导电测试 5 分钟均不转动，再正向导电仍可正常转动

Reversal voltage test: We took 200Vpcs for reversal voltage test at power supply for 5 minutes and all remain still..Fans work normally after corrected voltage.

规格说明书
Specifications

6. 原材料 Material

项次 Item	主要元件 Major components	材质或型式 Material & Specification	等级 Grade	供应商 Suppliers	备注 Remark
6-1	支架 Fan housing	PBT 70% +Fiber 30% 黑色	94V-0		
6-2	扇叶 Fan blade	PBT 70% +Fiber 30% 黑色	94V-0		
6-3	轴心 Stator core	不锈钢 Stainless steel (SUS42012)			
6-4	轴承 Bearing	滚珠轴承或含油铜轴承 Ball bearing or sleeve bearing (Cu+GLY)-2100			滚轴轴承 Ball Bearing
6-5	橡胶磁铁 Rubber magnet	铁锶粉末化合物 Strontium ferrite (BQB14W)			
6-6	矽钢片 Silicon steel strip	(H23) (H-8)			
6-7	漆包线 Enameled copper wires	去膜直径 0.11mm Material & specification 0.11mm	MW-2 UEW		耐热 Heat resistance 120 °C 0.11*140T
6-8	印刷线路板 Printed CircuitBoard	单层印刷线路板 Wiring printed single layer board	94V-0		CAM-1 Tl0.8mm
6-9	电源线 Lead wires	聚乙烯氯化物包铜线 Polyvinyl Chloride enameled Copper wirer (AWG#26)	94V-0		红线: 正极 黑线: 负极 Red wire+polarity Black wire:-polarity
6-10	贴纸 Label	多元脂 Polyester			
6-11	端子线长度 Connector housing	1007#24AWG, 总长 700±5mm 红 (+) 黑 (-)	94V-0		裸线剥皮浸锡 5mm

7. 出货检验程序 Product inspection procedure

本公司出货检验程序均依照下列步骤实施 Inspection procedures below are extremely followed.

7-1.100%生产线上电性;死角,扇叶拉拔.

100%Electric;rotating,dead spot,fan blade fasten, and primary noise test on production line.

7-2.100%生产线上以示波器作正常电流波形筛检

100% Current wave test with scope on production line.

7-3.100%以手敲击测试及静音室异音过滤

100% Strick test by hand and noise filter in quiet room.

7-4.10cm 落地试验依 MIL-STD-105E 作抽样

10cm drop test at random in accordance with MIL-STD-105E standard

7-5 出货抽样检验依 MIL-STD-105E 作允退判定

Random inspection in accordance with MIL-STD-105E standard.

7-6 允退标准如下 P

加严 Critical AQL:0.4

正常 Major AQL:0.65

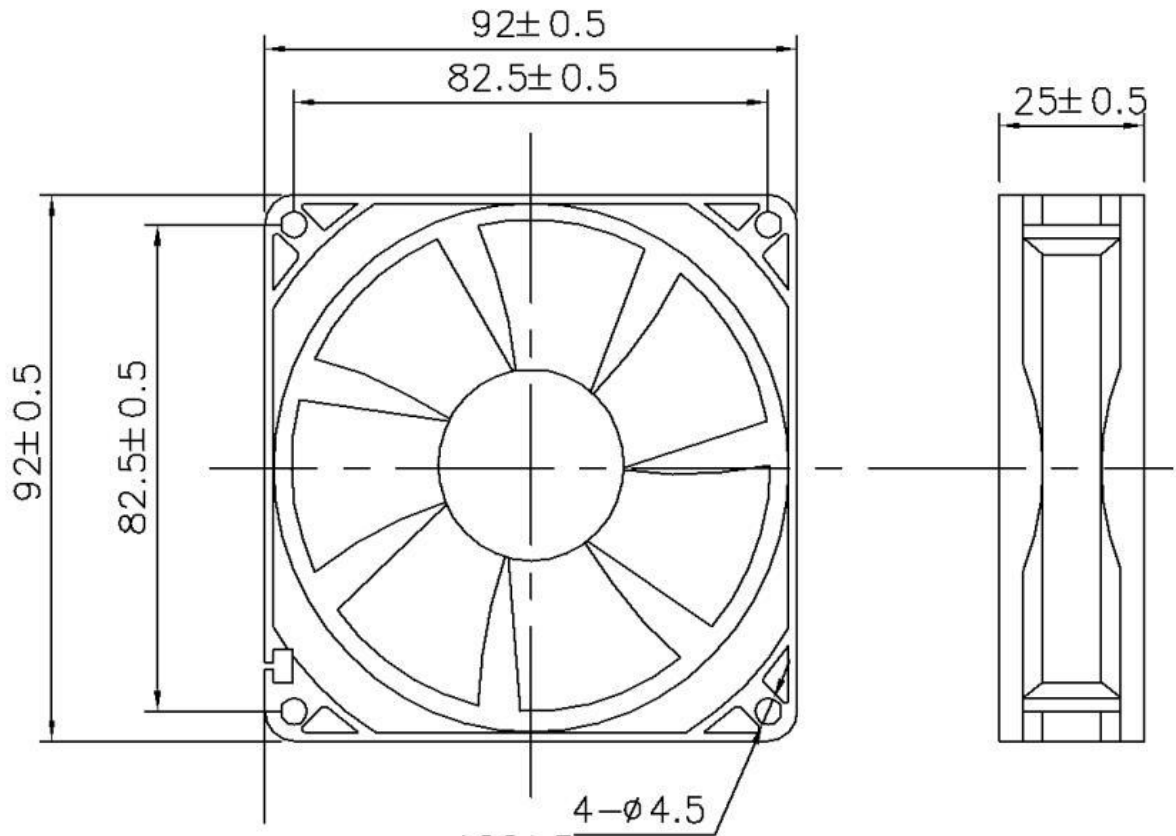
宽松 Minor AQL:1.0

规格说明书 Specifications

8. 注意事项 (Notes)

- 8-1. 使用时请勿超出本规格所规定之极限，否则我们不保证此产品。
We,JYD Co;LTD will not guarantee the products if the application of our products are exceeded the Limitation which is specified on the specification.
- 8-2. 倘若要变更此份文件的任何规格，请务必事先提出要求
In case of changes of the specification specified on this document. A WRITTEN NOTICE IS REQUESTED IN ADVANCE.
- 8-3. 请勿触压着叶片以及电源线缠绕着风扇或用力拉扯电源线，如此轴心与电源线将会被损坏
please do not touch the impeller with the pressure and never bring the fan with lead wire .The bearing and lead wire may be damaged.
- 8-4. 本产品不保证因粉尘、水滴、小虫进入，而影响寿命与不良产生
No guarantee on the products against the safety problem or failure caused by powder dust, drop of water or insect.
- 8-5. 如有任何资料及文件与此份不同，将以此份资料为主要参考
If there is any data or related documentation different from this data sheet.This data sheet is the principle Reference
- 8-6. 请勿在可燃性气体与任何有害环境中使用
Please do not use the fan in the environment of corrosive gas or liquid or any detrimental gas
- 8-7. 请于六个月内使用，否则风扇存放在很高温或很低温及湿度很高的室温中，风扇于六个月后将可能会有漏电流产生。
Please do not store the fan in the environment of high/low temperature, high humidity or detrimental gas
Please store within six months ,every six months , shall be a leakage of electric current to the fan even Though the fan is stored in room temperature.
- 8-8. 当风扇于运转中，请勿企图将风扇锁死特别长的时间。如此，会因连续停止不转，产生高热而烧毁风扇
While the fan is in operation, please do not lock the fan intentionally for a long period of time,since the Continuous stoppage will result in overheat and thus burnt out the fan.
- 8-9. 组装风扇时，请特别注意，因共振或振动产生的噪音
During the installation of the fan , please pay substantial attention to possible noise caused by resonance
Vibration and shock.
- 8-10. 当搬运或作业中，风扇如从 60cm 的高度落下，将会对叶片的平衡产生若干影响，特别是滚珠轴承避免掉落。
It is very important to notify that avoid to drop from 60cm height when in any movement or operation, it Will impact the balance of blade . Especially ball bearing structure is avoided to drop down.
- 8-11. 锁外壳之螺丝扭力不得超 4kg/f.
The torque of the screw that locked the frame should not exceed4kg/f.

尺寸图:



92*92*25/B 12V $0.14 \pm 0.02A$ 3000RPM $\pm 10\%$