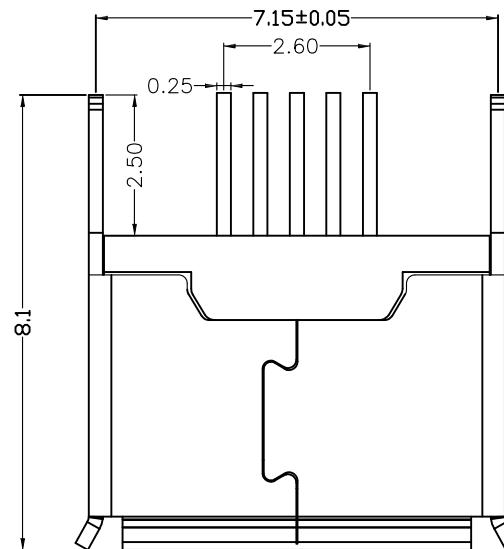
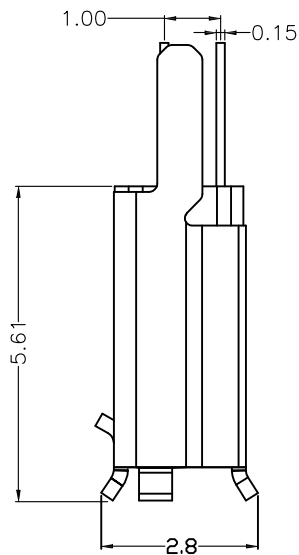
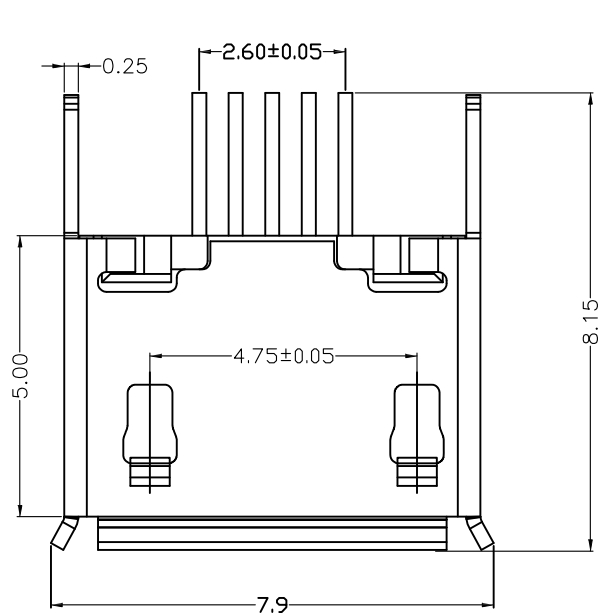
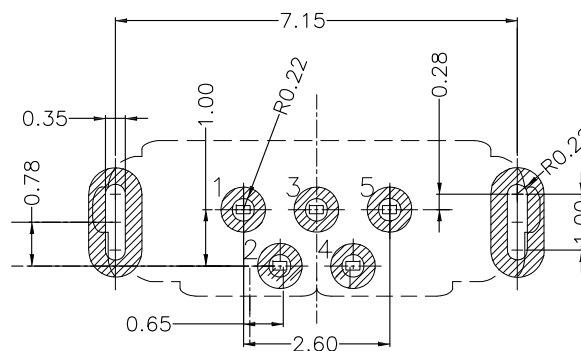
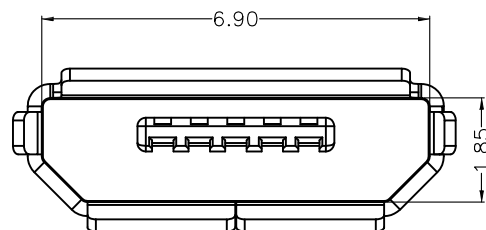


1 RoHS Compliance



Material:
 Housing:LCP,UL 94V-0
 Terminal: C2680,Nickel base, gold plated 1u"
 Shell:SUS

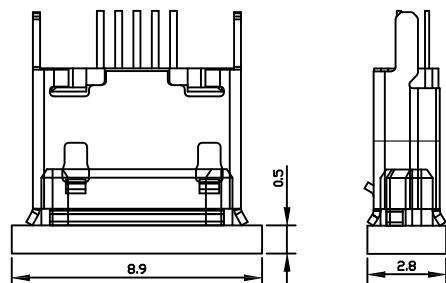
Electrical:
 1.Insertion force:35N Max.
 2.Pull out force:10N Min.
 Initial 8-20N After 10000 Cycles
 3.Current Rating:1.0A
 4.Voltage Rating:30V DC
 5.Durability:10000 Cycles Min.
 6.Withstanding Voltage:100 Vac/Min.
 7.Contact Resistance:30mΩ Max.
 Initial 40mΩ After 10000 Cycles
 8.Insulation Resistance:100MΩ Min.
 9.Operating Temperature: -30°C To +80°C



Recommended PCB Layout

Order Information:
 L-KLS1-2233E-B-R
 L: RoHS
 Micro USB
 Color:B=Black
 R-Reel packing

CAP Diagrammatic Sketch (SCA 2:1)



| | | | |
|-------------------|------------|-----------------------------------|---------------------------|
| ANGLE TOLERANCE | PROJECTION | Description: | |
| ±3° | | CONN RCPT 5POS MICRO USB Straight | |
| GENERAL TOLERANCE | UNITS | mm | KLS P/N: L-KLS1-2233E-B-R |
| x.x ±0.30 | SHEET SIZE | A4 | |
| x.xx ±0.20 | Draw: | Daniel 2020-11-11 | |
| x.xxx ±0.10 | Check: | Daniel 2020-11-11 | |

NingBo KLS ELECTRONIC CO.,L TD.