

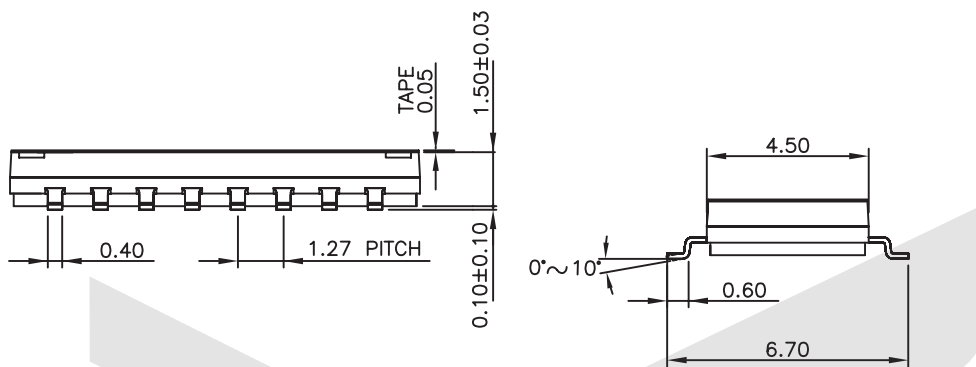
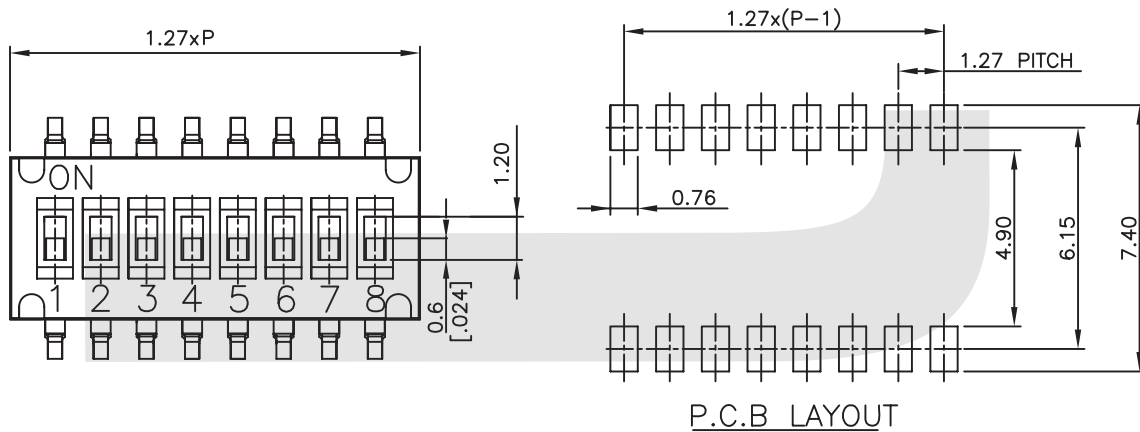
DIP Switch Series

KLS7-KPR SMT Type DIP Switch Series

SPECIFICATIONS

- Mechanical life: 2000 operations per switch
- Operation Force : $\leq 9.8\text{N}$ max.
- Stroke: 2.0mm
- Operation Temp: $-20^{\circ}\text{C} \sim +70^{\circ}\text{C}$
- Electrical life: 2000 operations per switch-24 VDC, 25mA
- Contact Resistance: 50m max. at initial
- Non-Switching Rating: 100mA, 50VDC
- Switching Rating: 25mA, 24VDC
- Circuit: Single pole single throw

Soldering and Cleaning Processes
Keep all switch contacts in their "OFF" position for all operations



ORDER INFORMATION

KLS7-KPR-XX-N-00

- Part Number
- KPR: Recessed Type Dip Switch
- Number of Pos.: 02~12 Pos.
- Packaging: 0=Tube 1=Tube
- 0: Non-sealed
- 1: With sealed
- Color: N=Black