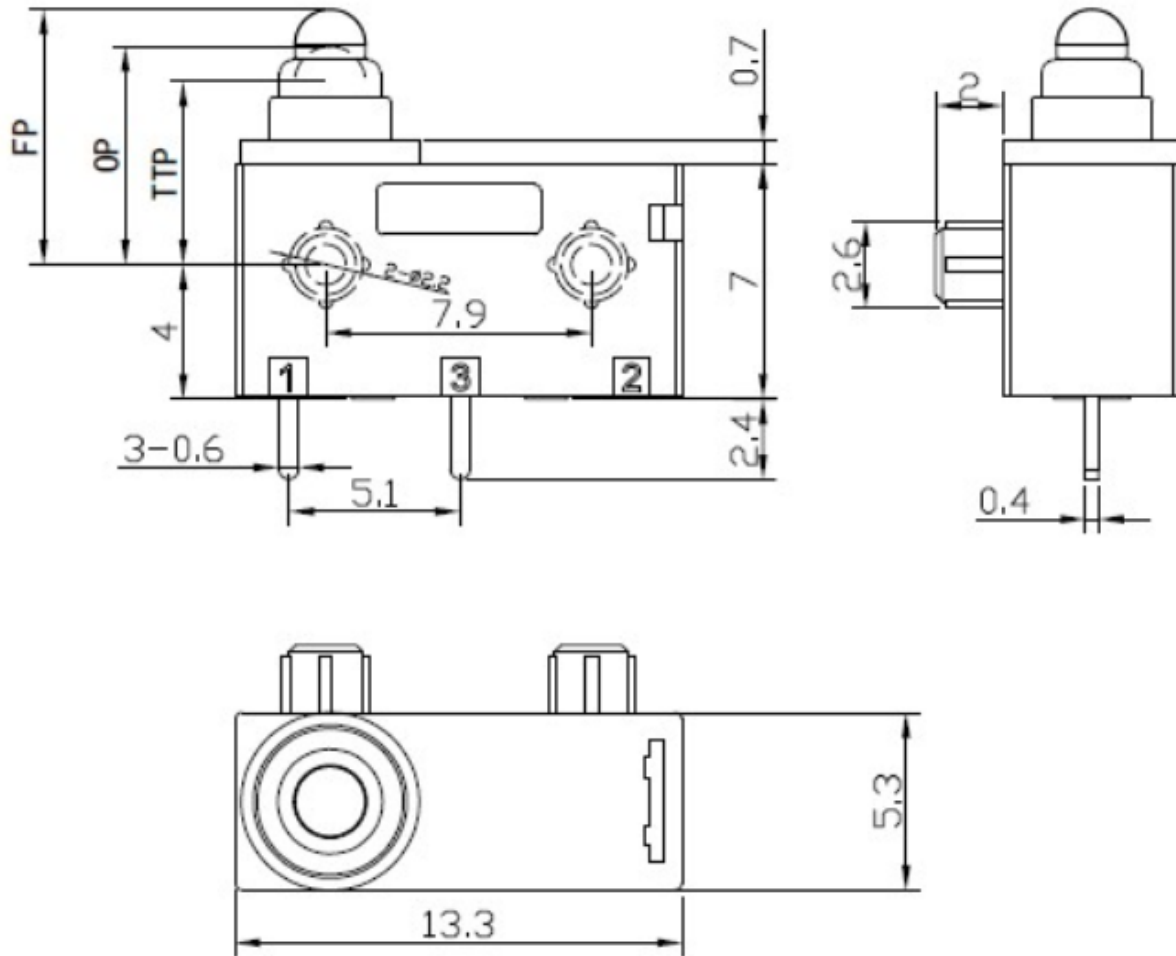



RoHS Compliance



| ANGLE TOLERANCE   |       | PROJECTION |        | Description:              |  |
|-------------------|-------|------------|--------|---------------------------|--|
|                   |       |            |        | Waterproof Micro Switches |  |
| GENERAL TOLERANCE |       | UNITS      | mm     | KLS P/N:                  |  |
| x.x               | ±0.30 | SHEET SIZE | A4     | KLS7-G304-150P00DR3       |  |
| x.xx              | ±0.20 | Draw:      | Daniel | 2022-04-01                |  NingBo KLS ELECTRONIC CO.,LTD. |
| x.xxx             | ±0.10 | Check:     | Daniel | 2022-04-01                |  |