



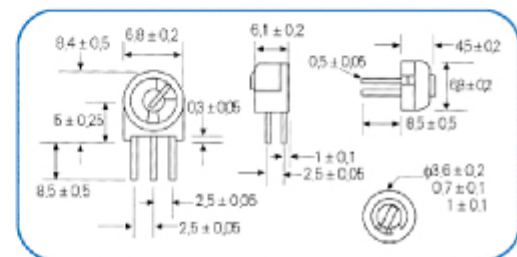
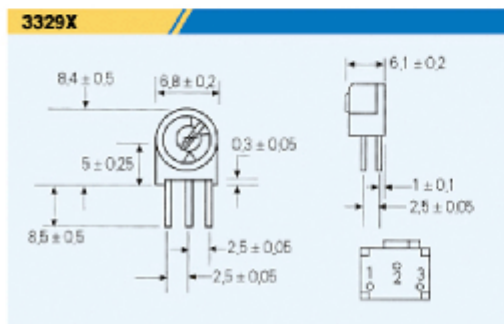
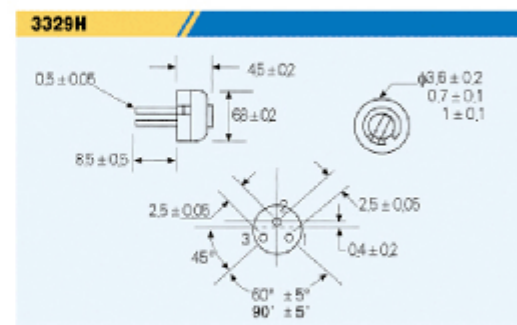
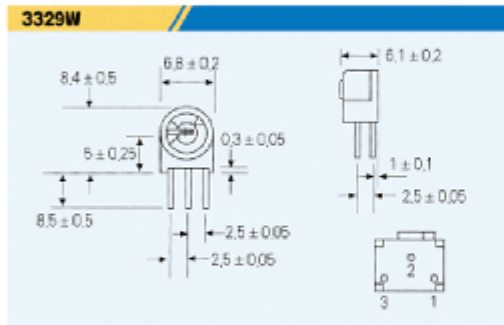
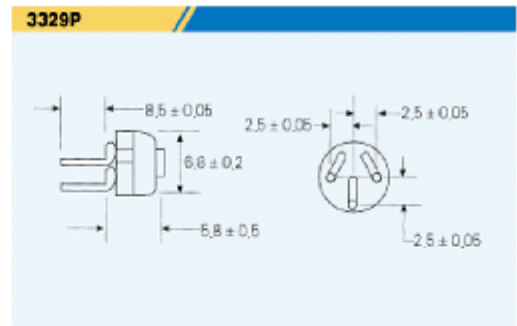
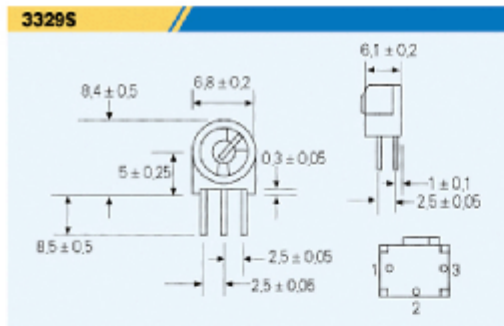
How To Order

EX: KLS4-3329H-103

3329: Model

H: Style

103: Resistance Code



Electrical characteristics

Resistance nominal resistance	0.05W 0.1W 0.2W 0.5W 1W J-OW 125ж
Temperature range	J55ж-ЎСЖ125ж
Resistance tolerance	±A10П
Temperature Coefficient	±A250ppm/ЎжJ-ЎA100ppm/Ўж
Vibration	390m/S2, 4000cyclesжчРЎБ50%R
Terminal resistance	ЎL1%R OR 2 ë
Temperature range	-55ж,30min,+100ж,30min
Contact resistance variation	ЎRЎЎЎA5%R, Ў(Uab/Uac) ЎB5%R Insulation Resistance ЎA300R OR 3R
Insulation resistance	10 ~ 500Hz, 0.75mm, 6h Ў100% Electrical interruption ЎB100% RЎУ2 ë(100Vdc)
Withstand voltage	140Vdc
Climate category	PC68-2-2 Meet IEC68-2-2 etc. жчРЎЎA10%R, жчR1ЎB100 M ë
Maximum operating current	0.5W 1000 M ë ЎRЎЎЎA10%R, жчCRVЎЎ3%R»т5 ë

Environmental characteristics	
Rated Power	0.5W 70% J-OV 125%
Temperature range	J55% J125%
Temperature Coefficient	A250ppm/J J-A100ppm/J
Vibration	390m/S ² , 4000cycles 50%R
Temperature range	-55%, 30min, +100%, 30min
5 cycle	5%R, (Uab/Uac) 5%R
Vibration	10 ~ 500Hz, 0.75mm, 6h 100s Electrical interruption 5%R, (Uab/Uac) 7.5%R 5%R, (Uab/Uac) 5%R
Climate category	IEC68-2-2 Meet IEC68-2-2 etc. 10%R, R1 100 M
70% Electrical endurance	0.5W, 1000 M 10%R, CRV 3%R 5
Mechanical endurance	200cycles 10%R, CRV 3%R 5
Steady damp heat	IEC68-2-3, Ca, 96h 10%R, R1 100 M

Physical characteristics

Total mechanical travel	250A10
-------------------------	--------

电刷 Wiper 订购指南 How To Order

1(a) 2(b) 3(c)

顺时针 Clockwise

3329H-103

型号 Model

式样 Style

阻值代码 Resistance Code

阻值(Ω)表 Resistance(Ω)	阻值代码 Resistance Code
10	100
20	200
50	500
100	101
200	201
500	501
1,000	102
2,000	202
10,000	502
20,000	103
50,000	203
100,000	503
200,000	104
500,000	204
1,000,000	504
2,000,000	105
	205

Starting torque	35mNm
-----------------	-------

ŷŷ