

BUZZER

III

Piezo Buzzer Series

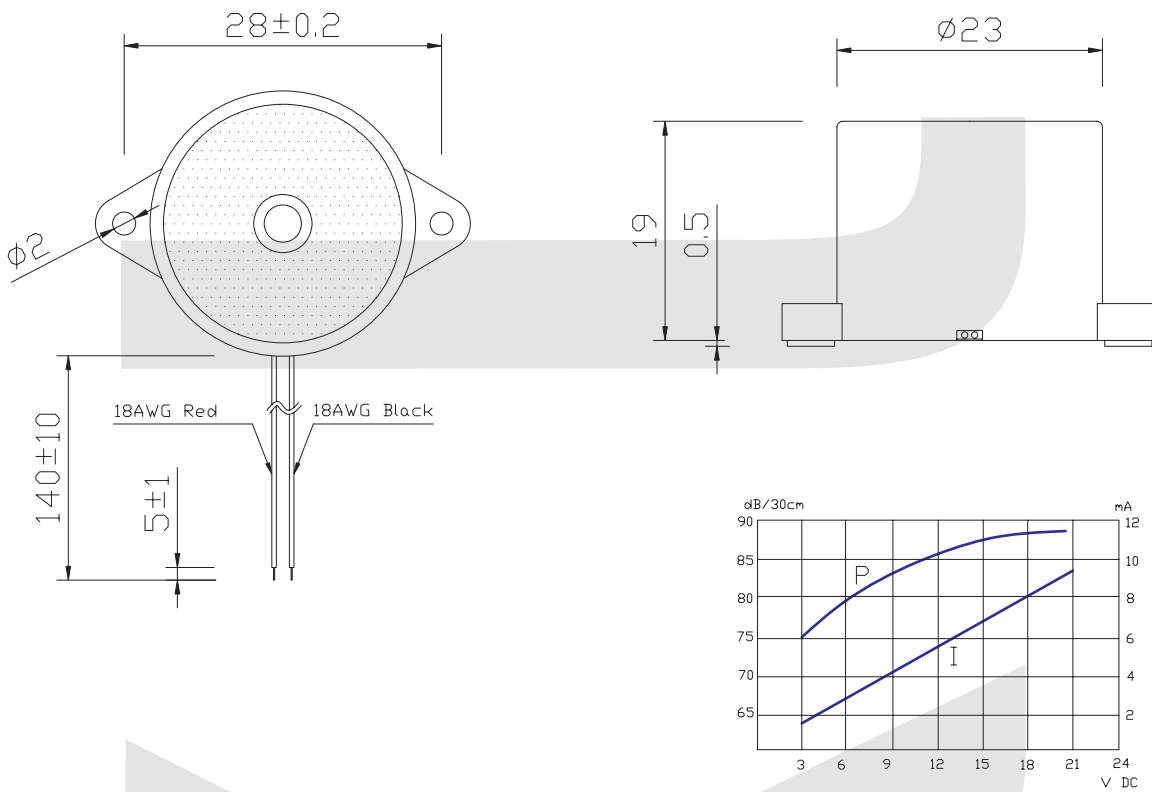
KLS3-LPB-23*19 With Circuit Piezo Buzzer Series

SPECIFICATION

Rated Voltage:	12V _{DC}
Operating Voltage:	8-15V _{DC}
Max. Rated Current:	15mA at 12V _{DC}
Min. S.P.L. (@30cm):	88dB at 12V _{DC}
Resonant Frequency:	3.3 ± 0.5KHz
Tone Nature:	Continuous
Operating Temp:	-20~+80°C
Weight:	8g



Dimensions (Unit:mm)



ORDER INFORMATION

Product NO.: KLS3- LPB - 23*19

Part Number _____ Order Code _____
Piezo Buzzer Series _____