

TERMINAL BLOCK Connector

PCB Series

KLS2-340-3.81 Series Pitch=3.81mm

Electrical :

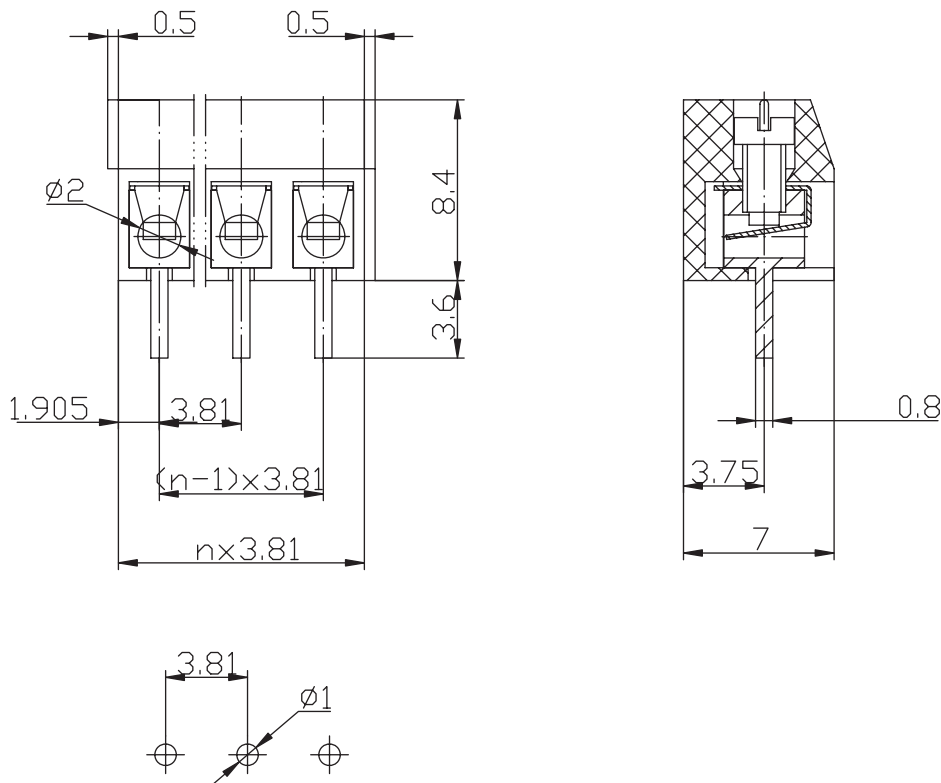
Rated voltage: 250V
Rated current: 10A
Contact resistance: 20mΩ
Insulation resistance: 5000MΩ/1000V
Withstanding Voltage: AC1500V/1Min
Wire range: 24-18AWG, 1.0mm²

Material

Screws: M2 steel Zinc plated
Wire guard: phosphor bronze Ni plated
Pin header: Brass, Tin plated
Housing: PBT

Mechanical

Temp. Range: -40°C~+105°C
MAX Soldering: 250°C for 5 Sec.
Torque: 0.2Nm
Strip length: 5-6mm



ORDER INFORMATION

Product No.: KLS2-340-3.81-XXP-X X

Pos. No. _____

Series No. _____

Pitch: 3.81=3.81mm _____

Number of Pole _____

Screw: C=Cross Screw
S=Slot Screw

Color: 1=Gray 2=Blue 3=Black
4=Green 5=Orange 6=Red
7=Transparent 8=Yellow 9=White