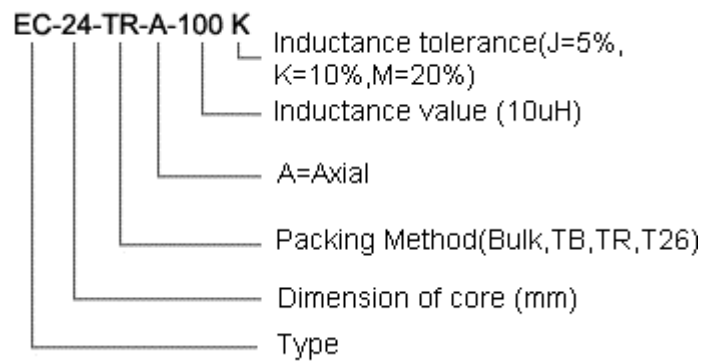


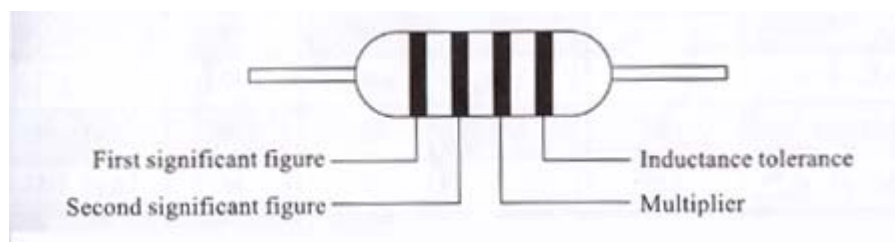
KLS18-EC



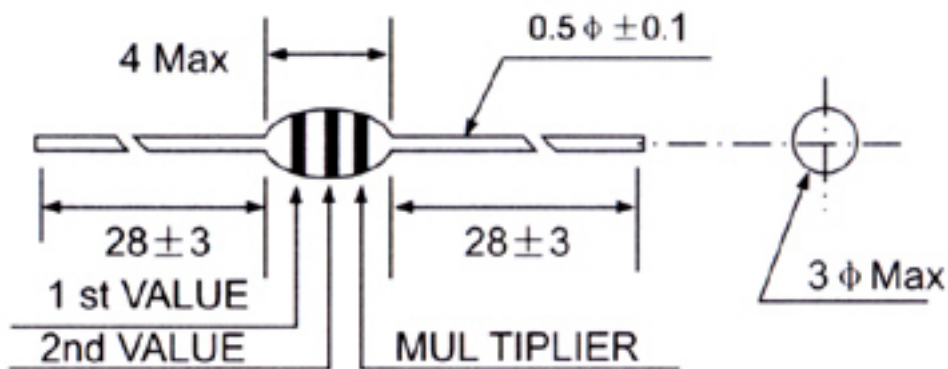
• FEATURES

- (1) Axial lead type, small lightweight design.
- (2) Special magnetic core structure contributes to high-Q and self-resonant frequencies.
- (3) Treated with epoxy resin coating for humidity resistance to ensure longer life.
- (4) Heat-resistant adhesives and special structural design for effective open-circuit measurement.

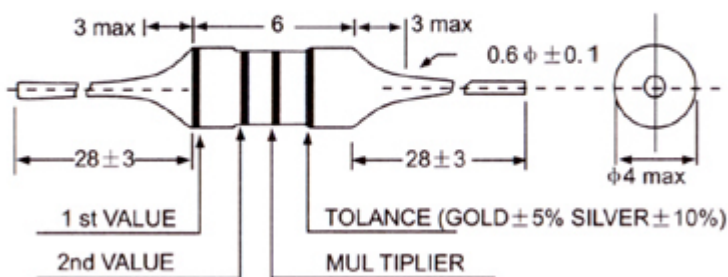
• SHAPES & DIMENSIONS



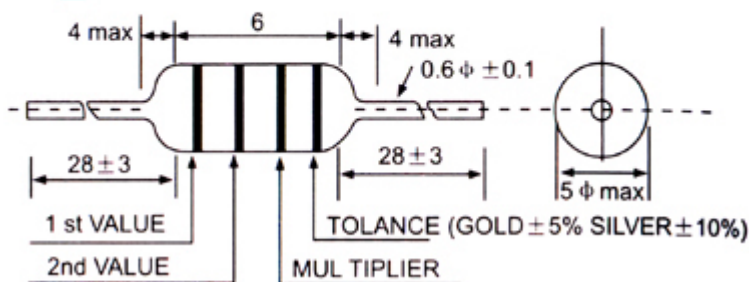
(AL0204)EC-22-XXX-XXXK



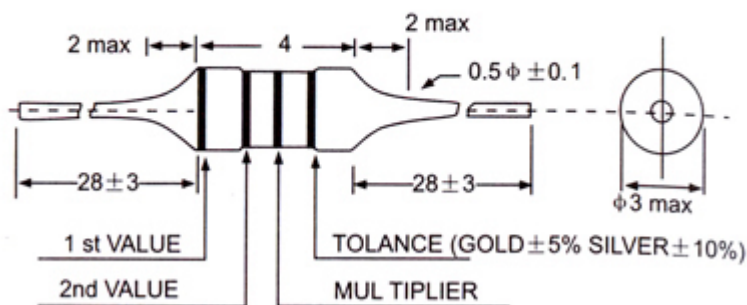
(AL0410)EC-36-XXX-XXXK



(AL0510)EC-46-XXX-XXXK



(AL0307)EC-24-XXX-XXXK



Color Code	Significant	figure	Multiplier Inductance tolerance(%)
Black	0	1	-
Brown	1	10	-
Red	2	100	-
Orange	3	1000	-
Yellow	4	-	-
Green	5	-	-
Blue	6	-	-
Violet	7	-	-
Gray	8	-	-
White	9	-	-
Black	-	-	±A20
Silver	-	0.01	±A10
Gold	-	0.10	±A5

PART NO.	INDUCTANCE (μMH)	TEST FREQ (MHz)	SRF (min) (MHz)	Q MIN	DCR (MAX) (Ω)	IDC(mA) (MAX)
EC22-R10M	0.10	25.2	250	50	0.030	700
EC22-R12M	0.12	25.2	230	55	0.035	660
EC22-R15M	0.15	25.2	200	55	0.040	620
EC22-R18M	0.18	25.2	180	55	0.045	600
EC22-R22M	0.22	25.2	160	55	0.050	400
EC22-R27M	0.27	25.2	150	50	0.065	380
EC22-R33M	0.33	25.2	150	50	0.075	370
EC22-R39M	0.39	25.2	150	50	0.080	350
EC22-R47M	0.47	25.2	150	60	0.085	330
EC22-R56M	0.56	25.2	150	60	0.090	320
EC22-R68M	0.68	25.2	120	50	0.100	310
EC22-R82M	0.82	25.2	110	50	0.150	290
EC22-1R0K	1.00	25.2	110	50	0.220	270
EC22-1R2K	1.20	7.96	100	40	0.300	260
EC22-1R5K	1.50	7.96	80	40	0.350	250
EC22-1R8K	1.80	7.96	65	40	0.450	240
EC22-2R2K	2.20	7.96	55	40	0.550	230
EC22-2R7K	2.70	7.96	50	40	0.600	220
EC22-3R3K	3.30	7.96	42	40	0.650	210
EC22-3R9K	3.90	7.96	38	45	0.850	200
EC22-4R7K	4.70	7.96	34	45	1.000	190
EC22-5R6K	5.60	7.96	32	45	1.150	180
EC22-6R8K	6.80	7.96	30	40	1.200	175
EC22-8R2K	8.2	7.96	26	40	1.25	165
EC22-100K	10	7.96	24	40	1.50	160
EC22-120K	12	2.52	22	50	2.20	150
EC22-150K	15	2.52	20	50	2.50	145
EC22-180K	18	2.52	18	50	2.80	140
EC22-220K	22	2.52	17	50	3.00	130
EC22-270K	27	2.52	14	55	3.50	80
EC22-330K	33	2.52	14	55	3.80	76
EC22-390K	39	2.52	13	50	4.20	74

EC22-470K	47	2.52	12	50	5.80	70
EC22-560K	56	2.52	11	50	6.40	68
EC22-680K	68	2.52	10	50	7.20	64
EC22-820K	82	2.52	9.5	50	8.50	46
EC22-101K	100	2.52	9.0	50	11	44
EC22-121K	120	0.796	6.5	30	19	42
EC22-151K	150	0.796	6.0	30	22	39
EC22-181K	180	0.796	5.2	30	24	37
EC22-221K	220	0.796	4.5	30	28	35
EC22-271K	270	0.796	3.5	30	29	28
EC22-331K	330	0.796	3.0	30	30	26
EC22-391K	390	0.796	2.7	30	32	25
EC22-471K	470	0.796	2.6	30	35	24
EC22-561K	560	0.796	2.5	30	40	23
EC22-681K	680	0.796	2.2	30	42	22
EC22-821K	820	0.796	2.1	30	46	21
EC22-102K	1000	0.796	2.0	30	52	20
EC24-R10K	0.10	25.2	470	30	0.08	700
EC24-R12K	0.12	25.2	450	40	0.08	700
EC24-R15K	0.15	25.2	430	40	0.09	700
EC24-R18K	0.18	25.2	410	40	0.10	700
EC24-R22K	0.22	25.2	380	40	0.12	700
EC24-R27K	0.27	25.2	360	40	0.15	680
EC24-R33K	0.33	25.2	350	40	0.16	680
EC24-R39K	0.39	25.2	320	40	0.18	680
EC24-R47K	0.47	25.2	300	40	0.26	650
EC24-R56K	0.56	25.2	280	40	0.38	500
EC24-R68K	0.68	25.2	250	40	0.42	500
EC24-R82K	0.82	25.2	200	40	0.55	450
EC24-1R0K	1.00	25.2	180	65	0.12	700
EC24-1R2K	1.20	7.96	165	50	0.18	740
EC24-1R5K	1.50	7.96	150	50	0.20	700
EC24-1R8K	1.80	7.96	125	70	0.23	655
EC24-2R2K	2.20	7.96	110	50	0.25	630
EC24-2R7K	2.70	7.96	95	60	0.28	595
EC24-3R3K	3.30	7.96	75	60	0.30	575
EC24-3R9K	3.90	7.96	65	60	0.32	555
EC24-4R7K	4.70	7.96	50	50	0.35	530
EC24-5R6K	5.60	7.96	40	50	0.40	500
EC24-6R8K	6.80	7.96	30	50	0.45	470
EC24-8R2K	8.20	7.96	28	50	0.55	425
EC24-100K	10	7.96	22	50	0.72	370
EC24-120K	12	2.52	20	50	0.80	350
EC24-150K	15	2.52	16	50	0.88	335
EC24-180K	18	2.52	15	50	1.00	315
EC24-220K	22	2.52	13	60	1.20	285
EC24-270K	27	2.52	11	60	1.35	270
EC24-330K	33	2.52	10	50	1.50	255
EC24-390K	39	2.52	9.5	50	1.70	240
EC24-470K	47	2.52	8.5	60	2.30	205
EC24-560K	56	2.52	7.5	60	2.60	195

EC24-680K	68	2.52	6.5	60	2.90	185
EC24-820K	82	2.52	6.0	55	3.20	175
EC24-101K	100	2.52	5.5	60	3.50	165
EC24-121K	120	0.796	5.4	75	3.80	160
EC24-151K	150	0.796	4.75	75	4.40	150
EC24-181K	180	0.796	4.35	75	5.00	140
EC24-221K	220	0.796	4.00	75	5.70	130
EC24-271K	270	0.796	3.70	70	6.50	120
EC24-331K	330	0.796	3.40	70	9.50	100
EC24-391K	390	0.796	2.80	70	10.5	95
EC24-471K	470	0.796	2.40	70	12.5	90
EC24-561K	560	0.796	2.35	70	14.5	85
EC24-681K	680	0.796	2.00	70	18.0	75
EC24-821K	820	0.796	1.60	60	23.7	65
EC24-102K	1000	0.796	1.20	60	30.0	60
EC36-R10K	0.10	25.2	470	50	0.04	900
EC36-R12K	0.12	25.2	450	50	0.06	900
EC36-R15K	0.15	25.2	430	50	0.07	890
EC36-R18K	0.18	25.2	410	50	0.07	890
EC36-R22K	0.22	25.2	380	50	0.08	880
EC36-R27K	0.27	25.2	340	50	0.09	800
EC36-R33K	0.33	25.2	300	50	0.10	750
EC36-R39K	0.39	25.2	280	50	0.12	680
EC36-R47K	0.47	25.2	250	50	0.16	650
EC36-R56K	0.56	25.2	230	50	0.18	600
EC36-R68K	0.68	25.2	210	50	0.22	550
EC36-R82K	0.82	25.2	172	50	0.24	980
EC36-1R0K	1.00	25.2	157	50	0.09	920
EC36-1R2K	1.20	7.96	144	50	0.10	880
EC36-1R5K	1.50	7.96	131	55	0.23	830
EC36-1R8K	1.80	7.96	121	60	0.25	790
EC36-2R2K	2.20	7.96	110	80	0.28	750
EC36-2R7K	2.70	7.96	100	85	0.30	720
EC36-3R3K	3.30	7.96	94	90	0.34	670
EC36-3R9K	3.90	7.96	86	90	0.37	640
EC36-4R7K	4.70	7.96	80	90	0.39	620
EC36-5R6K	5.60	7.96	74	80	0.43	590
EC36-6R8K	6.80	7.96	58	80	0.48	550
EC36-8R2K	8.20	7.96	53	85	0.52	530
EC36-100K	10	7.96	45	85	0.58	500
EC36-120K	12	2.52	30	75	0.63	480
EC36-150K	15	2.52	20	75	0.72	460
EC36-180K	18	2.52	14	70	0.77	430
EC36-220K	22	2.52	9.9	65	0.84	410
EC36-270K	27	2.52	7.6	65	0.94	390
EC36-330K	33	2.52	6.3	55	1.03	370
EC36-390K	39	2.52	6.3	55	1.12	350
EC36-470K	47	2.52	6.3	45	1.22	340
EC36-560K	56	2.52	6.2	45	1.34	320
EC36-680K	68	2.52	5.7	40	1.47	305
EC36-820K	82	2.52	5.3	35	1.62	290

EC36-101K	100	2.52	4.8	30	1.80	275
EC36-121K	120	0.796	3.8	70	3.70	185
EC36-151K	150	0.796	3.5	80	4.20	175
EC36-181K	180	0.796	3.3	80	4.60	165
EC36-221K	220	0.796	3.0	70	5.10	155
EC36-271K	270	0.796	2.8	70	5.80	145
EC36-331K	330	0.796	2.6	65	6.40	137
EC36-391K	390	0.796	2.4	65	7.00	133
EC36-471K	470	0.796	2.25	60	7.70	126
EC36-561K	560	0.796	2.1	60	8.50	120
EC36-681K	680	0.796	1.95	55	9.40	113
EC36-821K	820	0.796	1.85	55	12.0	100
EC36-102K	1000	0.252	1.40	50	17.0	100
EC46-122K	1200	@1KHz	252	80	9	75
EC46-152K	1500	@1KHz	252	80	10	69
EC46-182K	1800	@1KHz	252	80	11	60
EC46-222K	2200	@1KHz	252	80	14	58
EC46-272K	2700	@1KHz	252	80	18	52
EC46-332K	3300	@1KHz	252	80	22	48
EC46-392K	3900	@1KHz	252	80	26	45
EC46-472K	4700	@1KHz	252	80	30	40
EC46-562K	5600	@1KHz	252	70	34	37
EC46-682K	6800	@1KHz	252	70	45	34
EC46-822K	8200	@1KHz	252	50	60	31
EC46-103K	10000	@1KHz	79.6	50	70	28
EC46-123K	12000	@1KHz	79.6	50	82	24
EC46-153K	15000	@1KHz	79.6	50	89	22
EC46-183K	18000	@1KHz	79.6	40	140	14
EC46-223K	22000	@1KHz	79.6	40	170	12
EC46-253K	25000	@1KHz	79.6	40	185	11
EC46-273K	27000	@1KHz	79.6	40	210	9.5
EC46-303K	30000	@1KHz	79.6	40	240	8.5
EC46-333K	33000	@1KHz	79.6	40	250	8.0

* CUSTOMERS' SPECIFICATIONS ARE WELCOME J: 5%; K: 10%; M: 20%
TEST INSTRUMENTS:

* L: HP 4342 A & HP4285A Q-METER.

* IDC: HP4261 A DIGITAL LCR METER.