



## PCB Connector Series

KLS1-XM1-3.00 Pitch=3.00mm TYPE

### Electrical Specification:

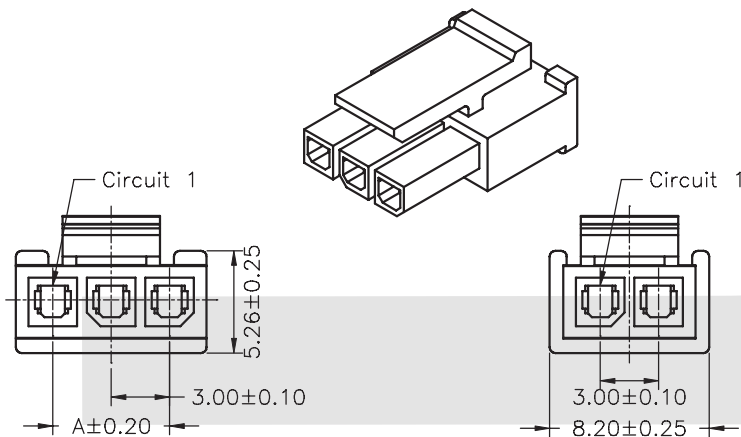
- Rated Voltage: 250V AC/DC
- Rated Current: 3A
- Contact Resistance: 0.015Ω max
- Insulation Resistance: 1000MΩ min
- Withstand voltage: 500V AC/MIN
- Temperature range for usage : -40°C~+105°C

### Material:

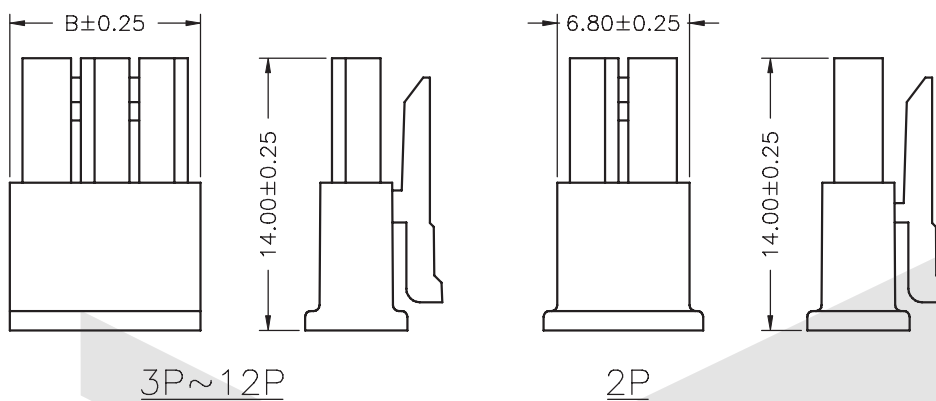
- Housing: PA66 (PA66) UL94V-2
- Contacts: Phosphor Bronze
- Plating: Tin 50u" over 100u" nickel
- Wire range : AWG#30~#22



### Single layer Male Housing



PART NO.	Dimensions	
	A	B
02	3.00	6.80
03	6.00	9.80
04	9.00	12.80
05	12.00	15.80
06	15.00	18.80
07	18.00	21.80
08	21.00	24.80
09	24.00	27.80
10	27.00	30.80
11	30.00	33.80
12	33.00	36.80



## ORDER INFORMATION

Product NO.: KLS1-XM1-3.00 - 1X04-MH

Series No. \_\_\_\_\_ Type: MH=Male Housing FT=Female Terminal  
 Pitch: 3.00=3.00mm \_\_\_\_\_ FH=Female Housing MT=Male Terminal  
 \_\_\_\_\_ S=Straight pin R=Right pin  
 \_\_\_\_\_ Pins: 1-Single layer 2-Double layer  
 \_\_\_\_\_ Pin Number: 2~12Pin

## PCB Connector Series

KLS1-XM1-3.00 Pitch=3.00mm TYPE

### Electrical Specification:

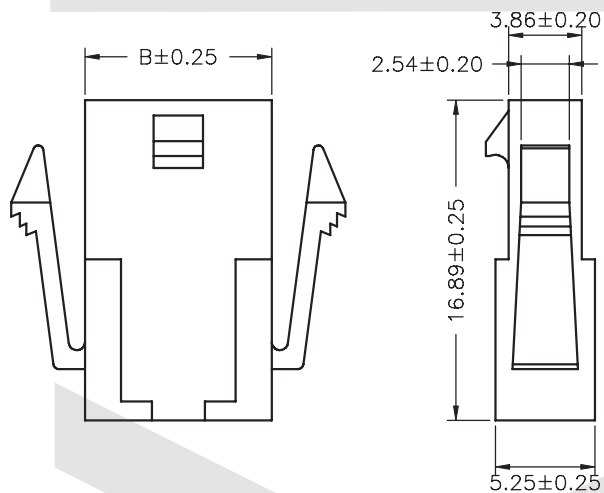
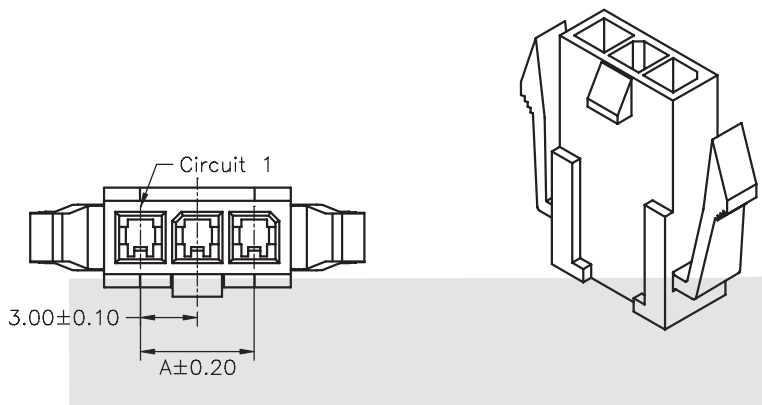
Rated Voltage: 250V AC/DC  
 Rated Current: 3A  
 Contact Resistance: 0.015Ω max  
 Insulation Resistance: 1000MΩ min  
 Withstand voltage: 500V AC/MIN  
 Temperature range for usage : -40°C~+105°C

### Material:

Housing: PA66 (PA66) UL94V-2  
 Contacts: Phosphor Bronze  
 Plating: Tin 50u" over 100u" nickel  
 Wire range : AWG#30~#22



### Single layer Female Housing



PART NO.	Dimensions	
	A	B
02	3.00	6.85
03	6.00	9.85
04	9.00	12.85
05	12.00	15.85
06	15.00	18.85
07	18.00	21.85
08	21.00	24.85
09	24.00	27.85
10	27.00	30.85
11	30.00	33.85
12	33.00	36.85

## ORDER INFORMATION

Product NO.: KLS1-XM1-3.00 -1X04-FH

Series No. \_\_\_\_\_  
 Pitch: 3.00=3.00mm

Type: MH=Male Housing  
 FH=Female Housing  
 S=Straight pin  
 Pins: 1-Single layer 2-Double layer  
 Pin Number: 2~12Pin

FT=Female Terminal  
 MT=Male Terminal  
 R=Right pin



## PCB Connector Series

KLS1-XM1-3.00 Pitch=3.00mm TYPE

### Electrical Specification:

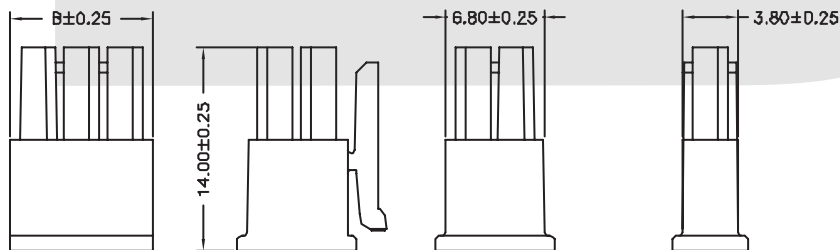
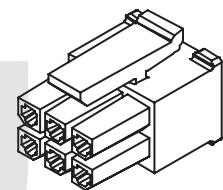
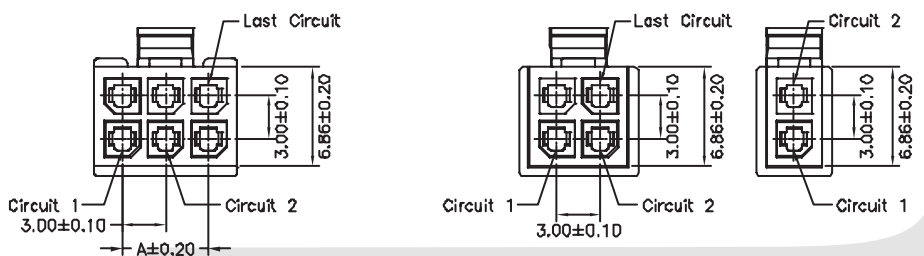
- Rated Voltage: 250V AC/DC
- Rated Current: 3A
- Contact Resistance: 0.015Ω max
- Insulation Resistance: 1000MΩ min
- Withstand voltage: 500V AC/MIN
- Temperature range for usage : -40°C~+105°C

### Material:

- Housing: PA66 (PA66) UL94V-2
- Contacts: Phosphor Bronze
- Plating: Tin 50u" over 100u" nickel
- Wire range : AWG#30~#22



### Double layer Male Housing



2X2P      2X1P

2X3P~2X12P

PART NO.	Dimensions	
	A	B
2X01	---	3.80
2X02	3.00	6.80
2X03	6.00	9.80
2X04	9.00	12.80
2X05	12.00	15.80
2X06	15.00	18.80
2X07	18.00	21.80
2X08	21.00	24.80
2X09	24.00	27.80
2X10	27.00	30.80
2X11	30.00	33.80
2X12	33.00	36.80

## ORDER INFORMATION

Product NO.: KLS1-XM1-3.00 -2X04-MH

Series No. \_\_\_\_\_  
Pitch: 3.00=3.00mm \_\_\_\_\_

Type: MH=Male Housing  
FH=Female Housing  
S=Straight pin  
Pins: 1-Single layer 2-Double layer  
Pin Number: 2~12Pin

FT=Female Terminal  
MT=Male Terminal  
R=Right pin

## PCB Connector Series

KLS1-XM1-3.00 Pitch=3.00mm TYPE

### Electrical Specification:

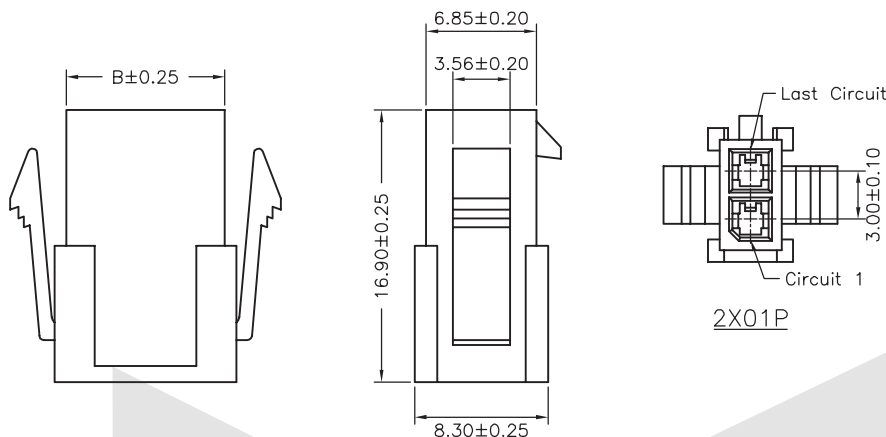
Rated Voltage: 250V AC.DC  
 Rated Current: 3A  
 Contact Resistance: 0.015Ω max  
 Insulation Resistance: 1000MΩ min  
 Withstand voltage: 500V AC/MIN  
 Temperature range for usage : -40°C~+105°C

### Material:

Housing: PA66 (PA66) UL94V-2  
 Contacts: Phosphor Bronze  
 Plating: Tin 50u" over 100u" nickel  
 Wire range : AWG#30~#22



### Double layer Female Housing



PART NO.	Dimensions	
	A	B
2X01	---	3.85
2X02	3.00	6.85
2X03	6.00	9.85
2X04	9.00	12.85
2X05	12.00	15.85
2X06	15.00	18.85
2X07	18.00	21.85
2X08	21.00	24.85
2X09	24.00	27.85
2X10	27.00	30.85
2X11	30.00	33.85
2X12	33.00	36.85

## ORDER INFORMATION

Product NO.: KLS1-XM1-3.00 -2X04-FH

Series No. \_\_\_\_\_  
 Pitch: 3.00=3.00mm \_\_\_\_\_

Type: MH=Male Housing  
 FH=Female Housing  
 S=Straight pin  
 Pins: 1-Single layer 2-Double layer  
 Pin Number: 2~12Pin

FT=Female Terminal  
 MT=Male Terminal  
 R=Right pin

## PCB Connector Series

KLS1-XM1-3.00 Pitch=3.00mm TYPE

### Electrical Specification:

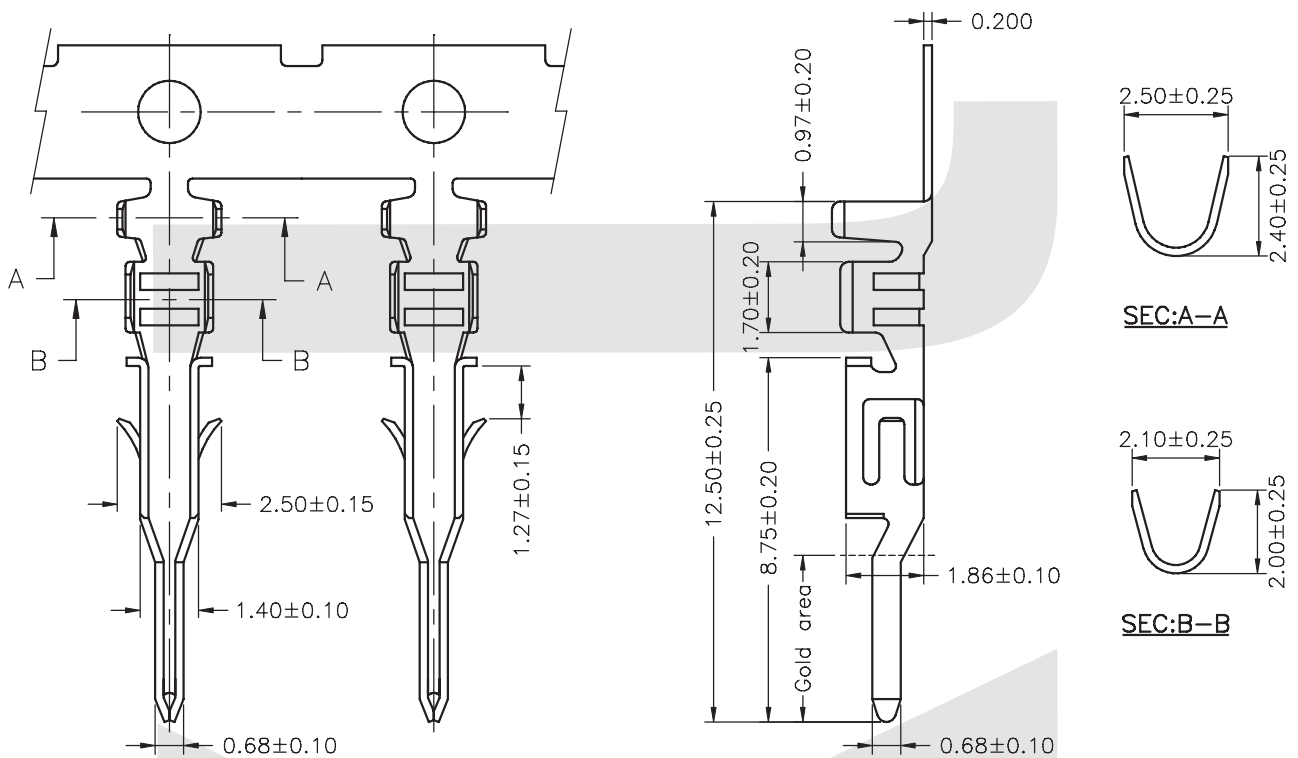
Rated Voltage: 250V AC/DC  
 Rated Current: 3A  
 Contact Resistance: 0.015Ω max  
 Insulation Resistance: 1000MΩ min  
 Withstand voltage: 500V AC/MIN  
 Temperature range for usage : -40°C~+105°C

### Material:

Housing: PA66 (PA66) UL94V-2  
 Contacts: Phosphor Bronze  
 Plating: Tin 50u" over 100u" nickel  
 Wire range : AWG#30~#22



### Male Terminal



## ORDER INFORMATION

Product NO.: KLS1-XM1-3.00 -MT

Series No. \_\_\_\_\_  
 Pitch: 3.00=3.00mm \_\_\_\_\_

Type: MH=Male Housing    FT=Female Terminal  
 FH=Female Housing    MT=Male Terminal  
 S=Straight pin         R=Right pin

## PCB Connector Series

KLS1-XM1-3.00 Pitch=3.00mm TYPE

### Electrical Specification:

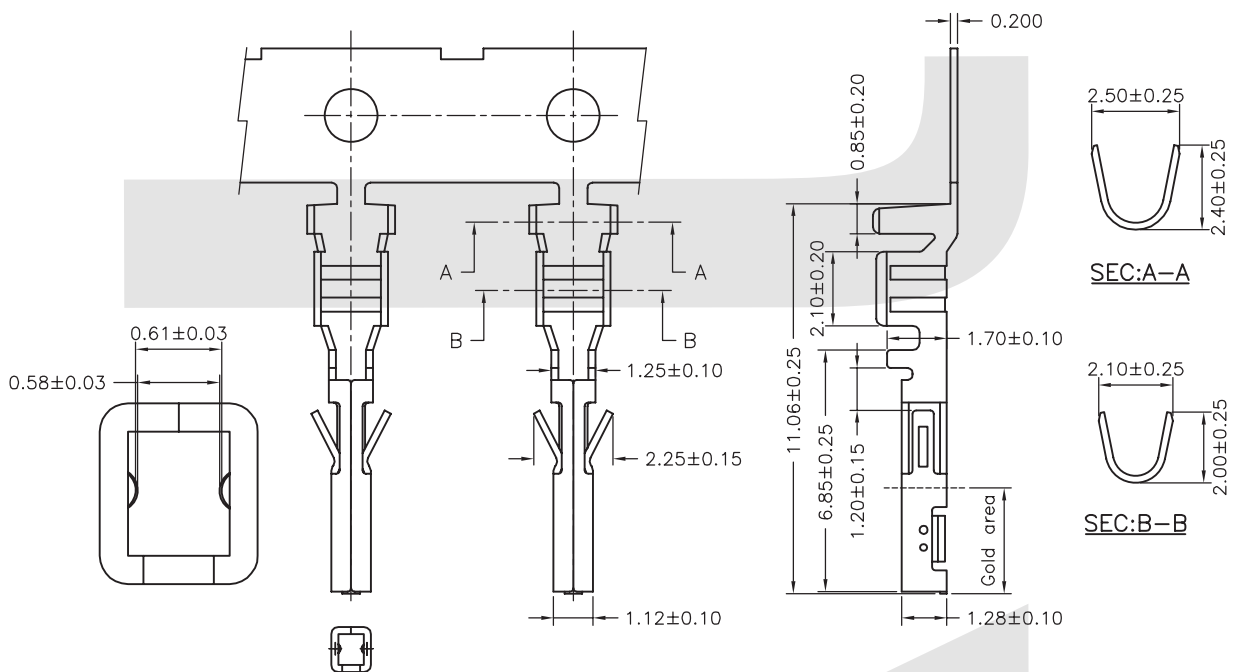
Rated Voltage: 250V AC/DC  
 Rated Current: 3A  
 Contact Resistance: 0.015Ω max  
 Insulation Resistance: 1000MΩ min  
 Withstand voltage: 500V AC/MIN  
 Temperature range for usage : -40°C~+105°C

### Material:

Housing: PA66 (PA66) UL94V-2  
 Contacts: Phosphor Bronze  
 Plating: Tin 50u" over 100u" nickel  
 Wire range : AWG#30~#22



### Female Terminal



## ORDER INFORMATION

Product NO.: KLS1-XM1-3.00 - FT

Series No. \_\_\_\_\_  
 Pitch: 3.00=3.00mm \_\_\_\_\_

Type: MH=Male Housing      FT=Female Terminal  
 FH=Female Housing      MT=Male Terminal  
 S=Straight pin              R=Right pin

## PCB Connector Series

KLS1-XM1-3.00 Pitch=3.00mm TYPE

### Electrical Specification:

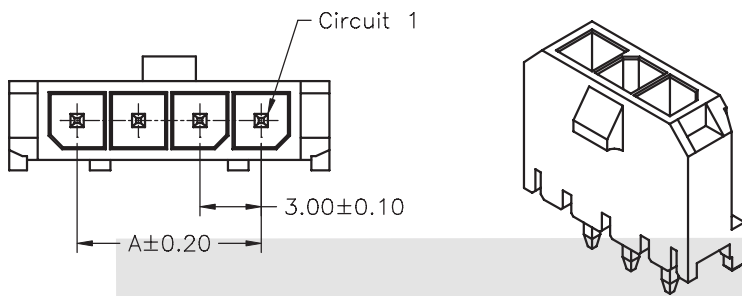
Rated Voltage: 250V AC/DC  
 Rated Current: 3A  
 Contact Resistance: 0.015Ω max  
 Insulation Resistance: 1000MΩ min  
 Withstand voltage: 500V AC/MIN  
 Temperature range for usage : -40°C~+105°C

### Material:

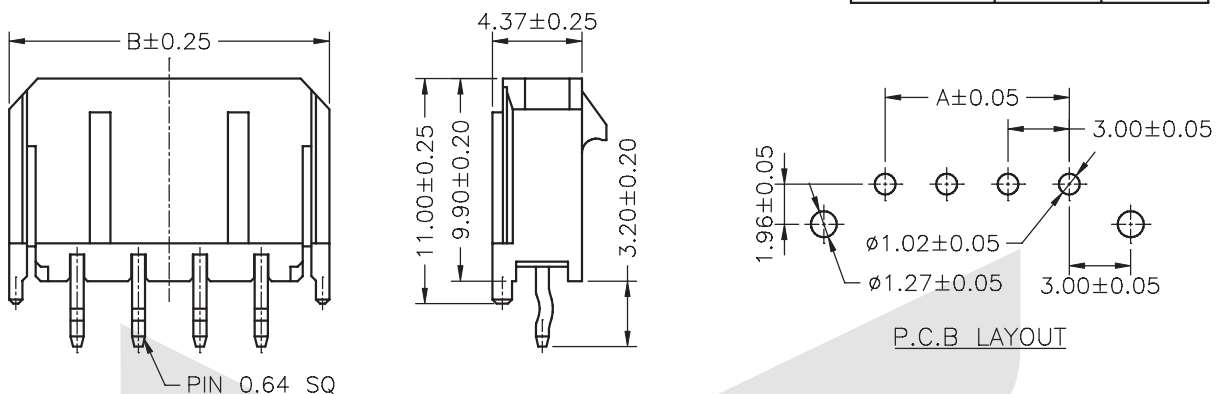
Housing: PA66 (PA66) UL94V-2  
 Contacts: Brass  
 Plating: Tin 50u" over 100u" nickel



### Single layer Straight pin



PART NO.	Dimensions	
	A	B
02	3.00	9.65
03	6.00	12.65
04	9.00	15.65
05	12.00	18.65
06	15.00	21.65
07	18.00	24.65
08	21.00	27.65
09	24.00	30.65
10	27.00	33.65
11	30.00	36.65
12	33.00	39.65



## ORDER INFORMATION

Product NO.: KLS1-XM1-3.00 -1X04- S

Series No. \_\_\_\_\_  
 Pitch: 3.00=3.00mm

Type: MH=Male Housing      FT=Female Terminal  
 FH=Female Housing      MT=Male Terminal  
 S=Straight pin              R=Right pin  
 Pins: 1-Single layer      2-Double layer  
 Pin Number: 2~12Pin

## PCB Connector Series

KLS1-XM1-3.00 Pitch=3.00mm TYPE

### Electrical Specification:

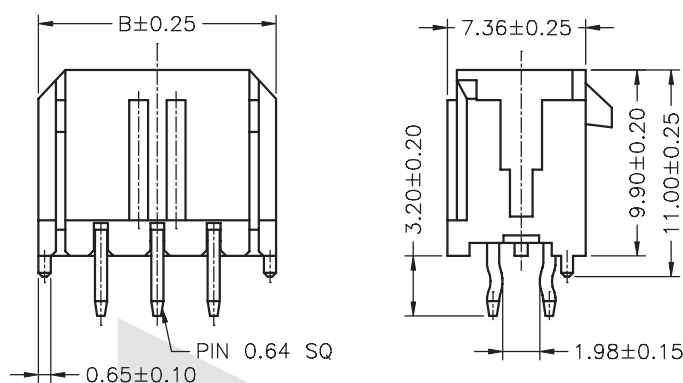
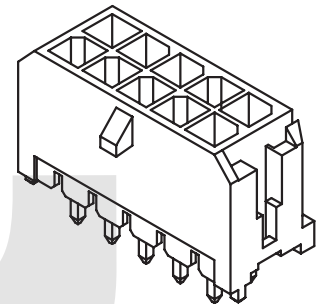
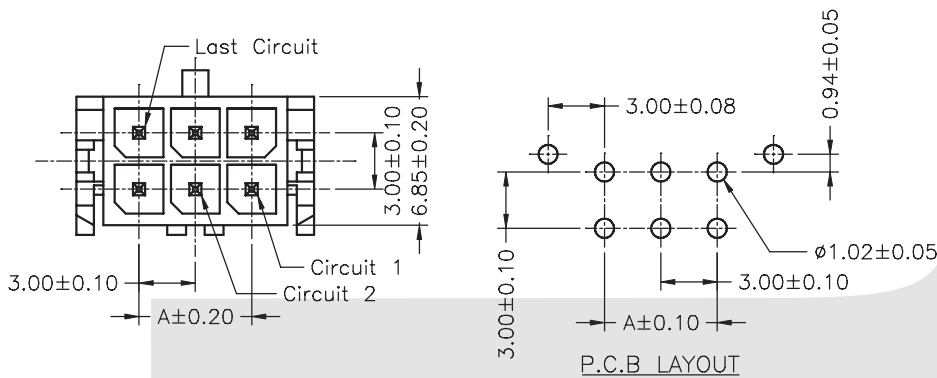
Rated Voltage: 250V AC/DC  
 Rated Current: 3A  
 Contact Resistance: 0.015Ω max  
 Insulation Resistance: 1000MΩ min  
 Withstand voltage: 500V AC/MIN  
 Temperature range for usage : -40°C~+105°C

### Material:

Housing: PA66 (PA66) UL94V-2  
 Contacts: Brass  
 Plating: Tin 50u" over 100u" nickel



### Double layer Straight pin



PART NO.	Dimensions	
	A	B
2X01	---	6.65
2X02	3.00	9.65
2X03	6.00	12.65
2X04	9.00	15.65
2X05	12.00	18.65
2X06	15.00	21.65
2X07	18.00	24.65
2X08	21.00	27.65
2X09	24.00	30.65
2X10	27.00	33.65
2X11	30.00	36.65
2X12	33.00	39.65

## ORDER INFORMATION

Product NO.: KLS1-XM1-3.00 -2X04- S

Series No. \_\_\_\_\_  
 Pitch: 3.00=3.00mm \_\_\_\_\_

Type: MH=Male Housing  
 FH=Female Housing  
 S=Straight pin  
 Pins: 1-Single layer 2-Double layer  
 Pin Number: 2~12Pin

FT=Female Terminal  
 MT=Male Terminal  
 R=Right pin

## PCB Connector Series

KLS1-XM1-3.00 Pitch=3.00mm TYPE

### Electrical Specification:

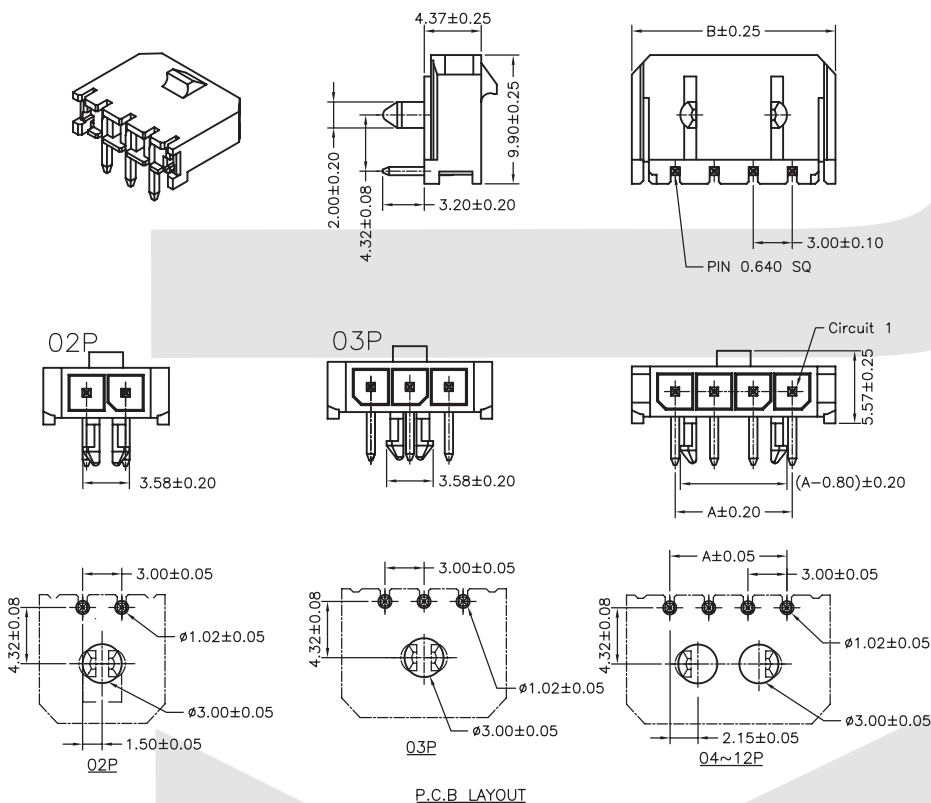
Rated Voltage: 250V AC.DC  
 Rated Current: 3A  
 Contact Resistance: 0.015Ω max  
 Insulation Resistance: 1000MΩ min  
 Withstand voltage: 500V AC/MIN  
 Temperature range for usage : -40°C~+105°C

### Material:

Housing: PA66 (PA66) UL94V-2  
 Contacts: Brass  
 Plating: Tin 50u" over 100u" nickel



### Single layer Right pin



PART NO.	Dimensions	
	A	B
02	3.00	9.65
03	6.00	12.65
04	9.00	15.65
05	12.00	18.65
06	15.00	21.65
07	18.00	24.65
08	21.00	27.65
09	24.00	30.65
10	27.00	33.65
11	30.00	36.65
12	33.00	39.65

## ORDER INFORMATION

Product NO.: KLS1-XM1-3.00 -1X04- R

Series No. \_\_\_\_\_  
 Pitch: 3.00=3.00mm

Type: MH=Male Housing  
 FH=Female Housing  
 S=Straight pin  
 Pins: 1-Single layer 2-Double layer  
 Pin Number: 2~12Pin

FT=Female Terminal  
 MT=Male Terminal  
 R=Right pin

## PCB Connector Series

KLS1-XM1-3.00 Pitch=3.00mm TYPE

### Electrical Specification:

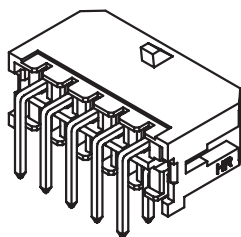
Rated Voltage: 250V AC/DC  
 Rated Current: 3A  
 Contact Resistance: 0.015Ω max  
 Insulation Resistance: 1000MΩ min  
 Withstand voltage: 500V AC/MIN  
 Temperature range for usage : -40°C~+105°C

### Material:

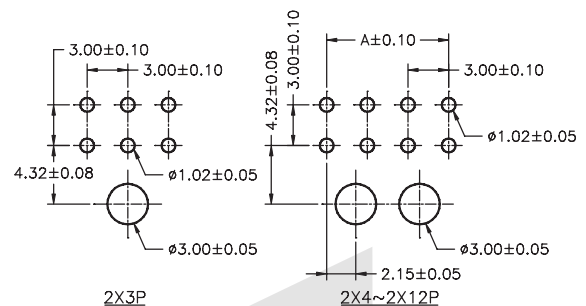
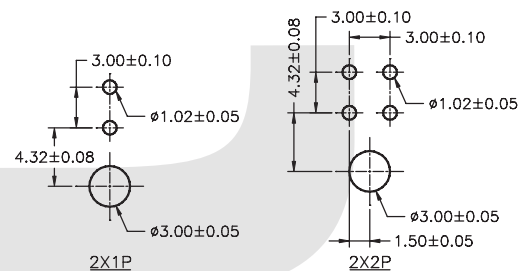
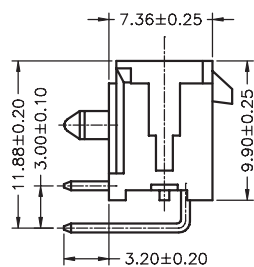
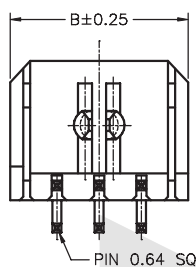
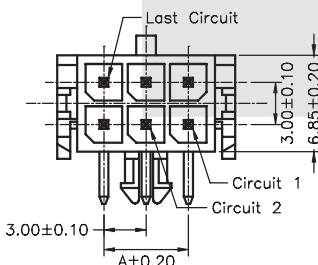
Housing: PA66 (PA66) UL94V-2  
 Contacts: Brass  
 Plating: Tin 50u" over 100u" nickel



### Double layer Right pin



PART NO.	Dimensions	
	A	B
2X01	---	6.65
2X02	3.00	9.65
2X03	6.00	12.65
2X04	9.00	15.65
2X05	12.00	18.65
2X06	15.00	21.65
2X07	18.00	24.65
2X08	21.00	27.65
2X09	24.00	30.65
2X10	27.00	33.65
2X11	30.00	36.65
2X12	33.00	39.65



P.C.B. LAYOUT

## ORDER INFORMATION

Product NO.: KLS1-XM1-3.00 -2X04- R

Series No. \_\_\_\_\_  
 Pitch: 3.00=3.00mm \_\_\_\_\_

Type: MH=Male Housing      FT=Female Terminal  
 FH=Female Housing      MT=Male Terminal  
 S=Straight pin              R=Right pin  
 Pins: 1-Single layer      2-Double layer  
 Pin Number: 2~12Pin