

A

B

C

E

F

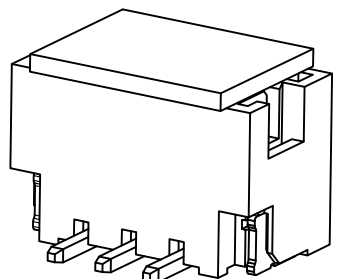
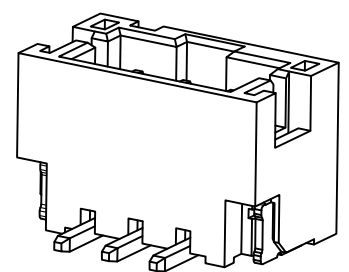
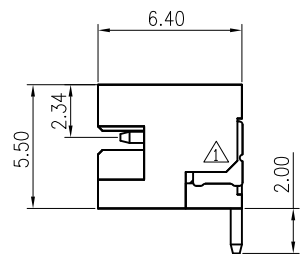
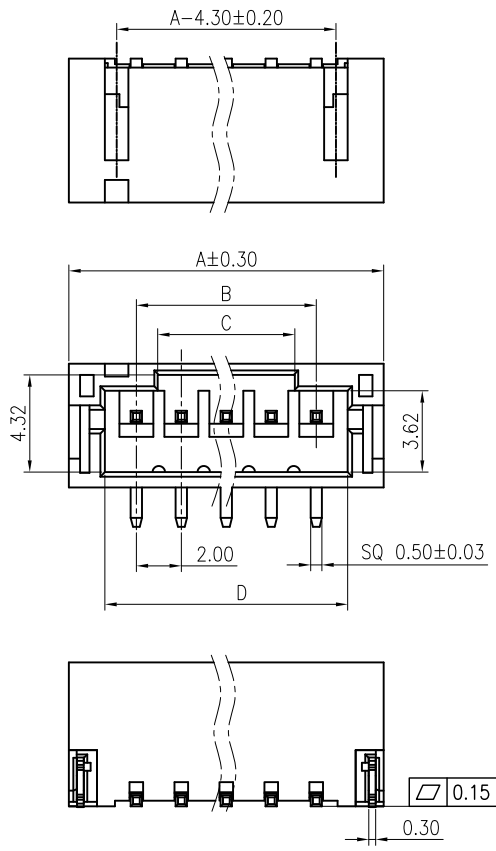
A

B

C

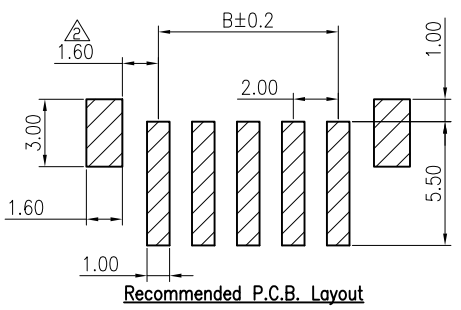
E

F



- ◆ SPECIFICATIONS
- Current rating: 2A AC, DC
 - Voltage rating: 100V AC, DC
 - Temperature range: -25°C ~ +85°C
 - Insulation resistance: 1000MΩ Min.
 - Withstanding voltage: 800V AC/ minute.
 - Contact resistance: 20mΩ Max.

Material:
 Insulator: Nylon 9T UL 94V-0
 Contact: Brass
 Solder Nail: Brass
 Plating: Matte tin plated over Nickel
 Circuits: 2~16



L-KLS1-XL1-2.00-1-XX-VM

RoHS
 Part NO
 Series No.

Type: VM=Vertical SMT
 PIN Number: 02 ~ 16Pin
 Pins: 1-Single layer
 Pitch: 2.00=2.00mm

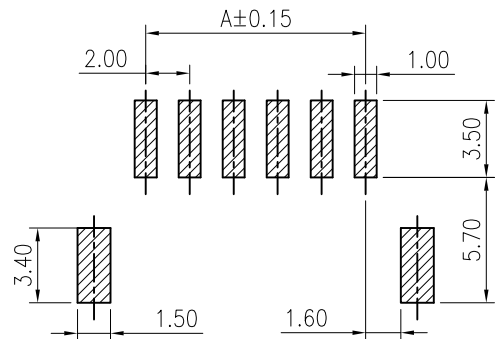
| | | | | |
|------|-------|-------|-------|-------|
| 16P | 36.00 | 30.00 | 28.10 | 32.80 |
| 15P | 34.00 | 28.00 | 26.10 | 30.80 |
| 14P | 32.00 | 26.00 | 24.10 | 28.80 |
| 13P | 30.00 | 24.00 | 22.10 | 26.80 |
| 12P | 28.00 | 22.00 | 20.10 | 24.80 |
| 11P | 26.00 | 20.00 | 18.10 | 22.80 |
| 10P | 24.00 | 18.00 | 16.10 | 20.80 |
| 9P | 22.00 | 16.00 | 14.10 | 18.80 |
| 8P | 20.00 | 14.00 | 12.10 | 16.80 |
| 7P | 18.00 | 12.00 | 10.10 | 14.80 |
| 6P | 16.00 | 10.00 | 8.10 | 12.80 |
| 5P | 14.00 | 8.00 | 6.10 | 10.80 |
| 4P | 12.00 | 6.00 | 4.10 | 8.80 |
| 3P | 10.00 | 4.00 | 2.10 | 6.80 |
| 2P | 8.00 | 2.00 | 1.10 | 4.80 |
| PIN数 | A | B | C | D |

| | | | | | | | | | |
|-----|------------|----------------------------|-----------------|-------------------|-----------|------------|--|--------|-----|
| △4 | | | | GENERAL TOLERANCE | UNIT: mm | DATE | TITLE: KR2001 PH2.0 SMT 180° WAFER B模 | | |
| △3 | | | | .X ± 0.30 | X° ± 1° | 2018.04.28 | | | |
| △2 | 2018.04.25 | 修正P.C.B Layout 标示位置 | | .XX ± 0.20 | .X° ± | | VER. | SCALE: | N/A |
| △1 | 2016.08.15 | 修改接地片减胶0.50mm, 并增加C角0.50mm | | .XXX ± 0.10 | .XX° ± | | A2 | SHEET: | 1/1 |
| LTR | NAME | DATE | VERISION RECORD | | APPROVED: | | | | |
| 1 | 2 | 3 | 4 | 5 | 6 | 7 | 8 | 9 | |

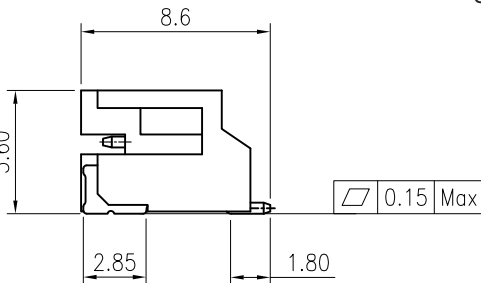
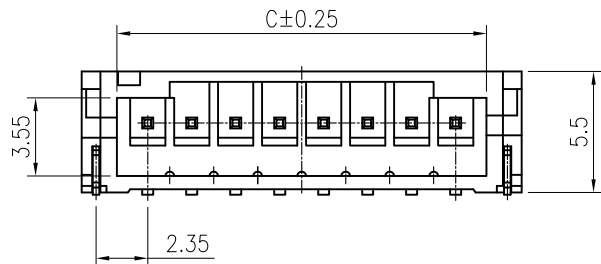
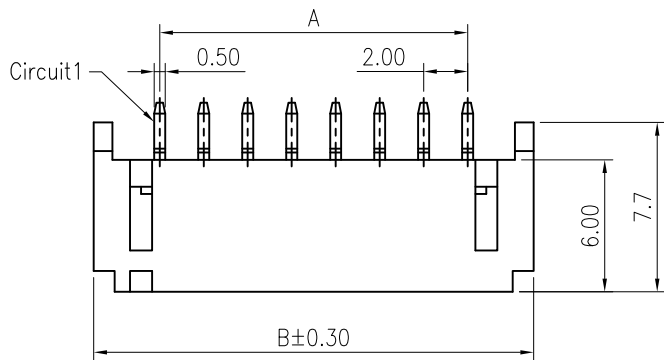
KLS NINGBO KLS ELECTRONIC CO.LTD

PROJECT PART NO. KLS1-XL1-2.00

DRAWING NO.



Recommended P.C.B. Layout
Total tolerance:±0.05mm



| PIN NO. | DIMENSIONS | | |
|---------|------------|-------|-------|
| | A | B | C |
| 02P | 2.00 | 8.00 | 4.80 |
| 03P | 4.00 | 10.00 | 6.80 |
| 04P | 6.00 | 12.00 | 8.80 |
| 05P | 8.00 | 14.00 | 10.80 |
| 06P | 10.00 | 16.00 | 12.80 |
| 07P | 12.00 | 18.00 | 14.80 |
| 08P | 14.00 | 20.00 | 16.80 |
| 09P | 16.00 | 22.00 | 18.80 |
| 10P | 18.00 | 24.00 | 20.80 |
| 11P | 20.00 | 26.00 | 22.80 |
| 12P | 22.00 | 28.00 | 24.80 |
| 13P | 24.00 | 30.00 | 26.80 |
| 14P | 26.00 | 32.00 | 28.80 |
| 15P | 28.00 | 34.00 | 30.80 |
| 16P | 30.00 | 36.00 | 32.80 |

◆ SPECIFICATIONS

- Current rating: 2A AC/DC
- Voltage rating: 100V AC/DC
- Temperature range: -25°C~+85°C
- Insulation resistance: 1000MΩ Min.
- Withstanding voltage: 800V AC/minute.
- Contact resistance: 20mΩ/Max.

Material:

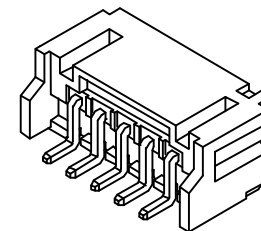
Housing: PA9T UL94 V-0, Beige

Pin: Brass

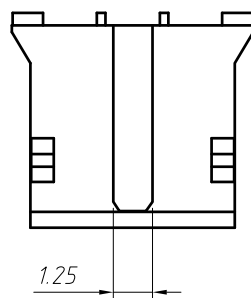
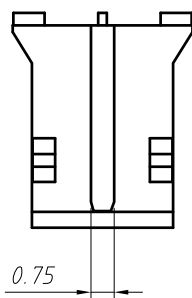
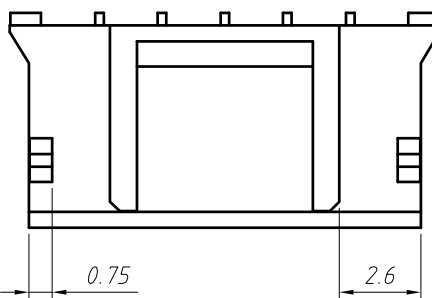
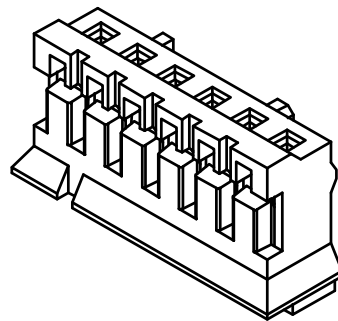
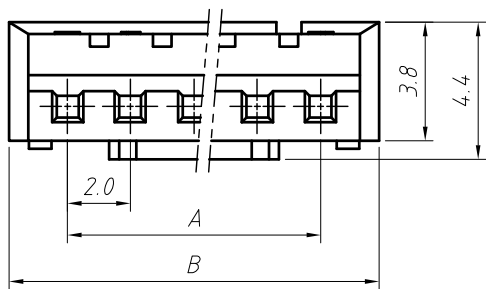
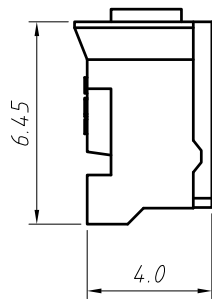
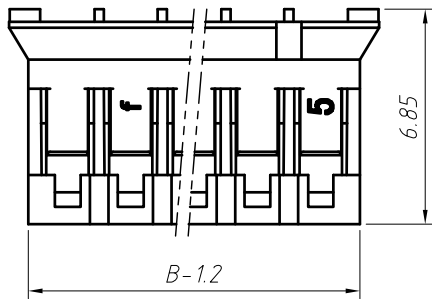
Ear: Brass

Plating: Gold plated or Tin/Matte-Tin plated over Nickel

L-KLS1-XL1-2.00-1-XX-RM
 RoHS Part No. Series No. Type: RM=Horizontal SMT
 PIN Number: 02 ~ 16Pin
 Pins: 1-Single layer
 Pitch: 2.00=2.00mm



| | | | | | | | | | | | | |
|-----|---------|------|------|-------------------|----------|-----------|--------------------------------|---|--|------------------------------|----------|---------------|
| | | | | GENERAL TOLERANCE | UNIT: mm | DATE | TITLE: | | | NINGBO KLS ELECTRONIC CO.LTD | | |
| | | | | .X ± 0.30 | X° ± 3° | DRAWN: | KR2001 PH 2.0 SMT 90° Wafer | | | | | |
| | | | | .XX ± 0.20 | .X° ± | CHECKED: | VER. SCALE: 1:1 | | | PROJECT | PART NO. | KLS1-XL1-2.00 |
| | | | | .XXX ± 0.10 | .XX° ± | APPROVED: | B SHEET: 1/1 | | | DRAWING NO. | | |
| LTR | ECN NO. | NAME | DATE | VERISION RECORD | | | | | | | | |
| 1 | 2 | 3 | 4 | 5 | 6 | 7 | 8 | 9 | | | | |



| Circuit | Dimensions(mm) | |
|---------|----------------|-------|
| | A | B |
| 02 | 2.00 | 5.75 |
| 03 | 4.00 | 7.75 |
| 04 | 6.00 | 9.75 |
| 05 | 8.00 | 11.75 |
| 06 | 10.00 | 13.75 |
| 07 | 12.00 | 15.75 |
| 08 | 14.00 | 17.75 |
| 09 | 16.00 | 19.75 |
| 10 | 18.00 | 21.75 |
| 11 | 20.00 | 23.75 |
| 12 | 22.00 | 25.75 |
| 13 | 24.00 | 27.75 |
| 14 | 26.00 | 29.75 |
| 15 | 28.00 | 31.75 |
| 16 | 30.00 | 33.75 |

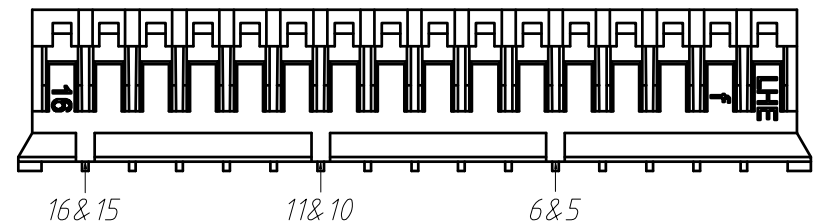
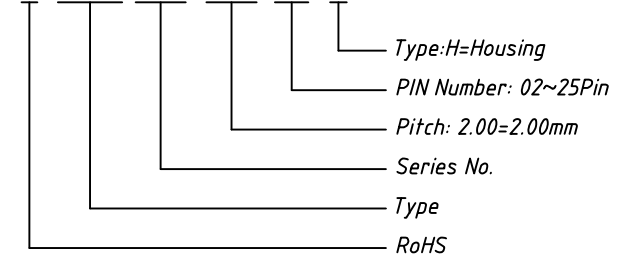
Material:
Housing:PA66(UL 94 V-0),White

Electrical Characteristics:

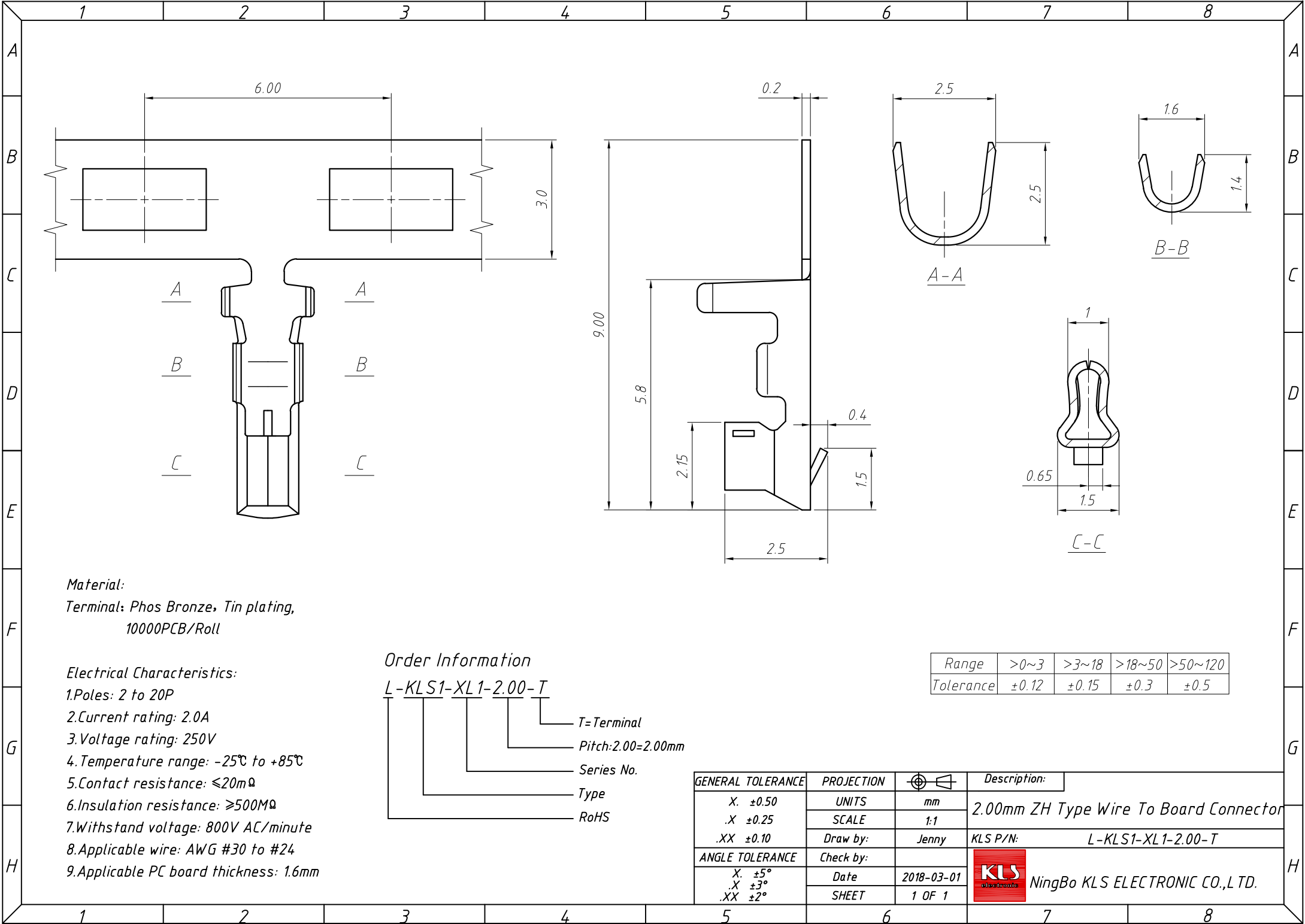
- 1.Poles: 2 to 20P
- 2.Current rating: 2.0A
- 3.Voltage rating: 100V
- 4.Temperature range: -25°C to +85°C
- 5.Contact resistance: $\leq 10m\Omega$
- 6.Insulation resistance: $\geq 1000M\Omega$
- 7.Withstand voltage: 800V AC/minute
- 8.Applicable wire: AWG #30 to #24
- 9.Applicable PC board thickness: 0.8~.6mm

Order Information

L-KLS1-XL1-2.00-XX-H



| GENERAL TOLERANCE | PROJECTION | | Description: |
|-------------------|------------|------------|--|
| X. ± 0.50 | UNITS | mm | 2.00mm ZH Type Wire To Board Connector |
| .X ± 0.25 | SCALE | 1:1 | |
| .XX ± 0.10 | Draw by: | Jenny | |
| ANGLE TOLERANCE | Check by: | | KLS P/N: L-KLS1-XL1-2.00-XX-H |
| X. $\pm 5^\circ$ | Date | 2018-03-01 | NingBo KLS ELECTRONIC CO.,L TD. |
| .X $\pm 3^\circ$ | SHEET | 1 OF 1 | |
| .XX $\pm 2^\circ$ | | | |



Material:

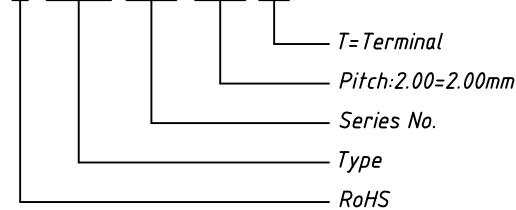
Terminal: Phos Bronze, Tin plating,
10000PCB/Roll

Electrical Characteristics:

- 1.Poles: 2 to 20P
- 2.Current rating: 2.0A
- 3.Voltage rating: 250V
- 4.Temperature range: -25°C to +85°C
- 5.Contact resistance: $\leq 20m\Omega$
- 6.Insulation resistance: $\geq 500M\Omega$
- 7.Withstand voltage: 800V AC/minute
- 8.Applicable wire: AWG #30 to #24
- 9.Applicable PC board thickness: 1.6mm

Order Information

L-KLS1-XL1-2.00-T

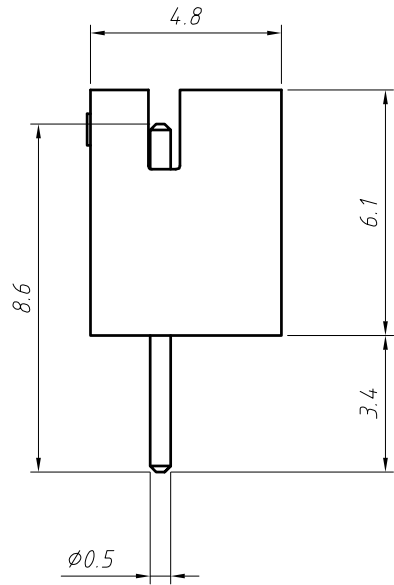
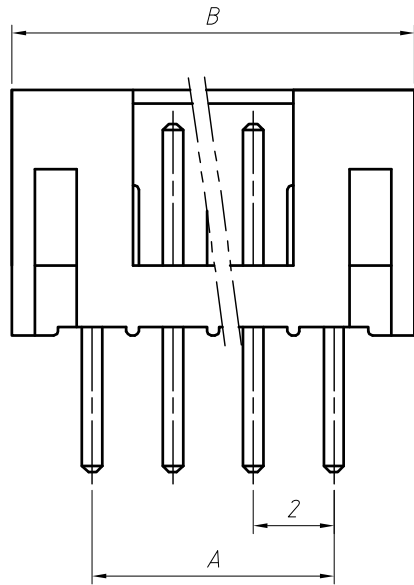


| | | | | |
|-----------|------------|------------|-----------|-----------|
| Range | >0~3 | >3~18 | >18~50 | >50~120 |
| Tolerance | ± 0.12 | ± 0.15 | ± 0.3 | ± 0.5 |

| GENERAL TOLERANCE | PROJECTION | | Description: |
|-------------------|------------|------------|--|
| X. ± 0.50 | UNITS | mm | 2.00mm ZH Type Wire To Board Connector |
| .X ± 0.25 | SCALE | 1:1 | |
| .XX ± 0.10 | Draw by: | Jenny | |
| ANGLE TOLERANCE | Check by: | | KLS P/N: L-KLS1-XL1-2.00-T |
| X. $\pm 5^\circ$ | Date | 2018-03-01 | NingBo KLS ELECTRONIC CO.,L TD. |
| .X $\pm 3^\circ$ | SHEET | 1 OF 1 | |
| .XX $\pm 2^\circ$ | | | |

1 2 3 4 5 6 7 8

A
B
C
D
E
F
G
H

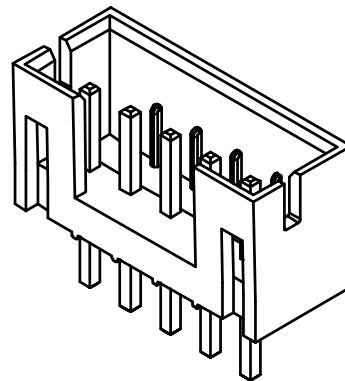
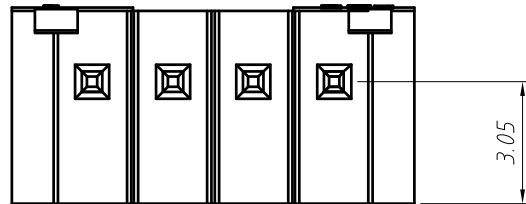


| Circuit | Dimensions(mm) | |
|---------|----------------|-------|
| | A | B |
| 02 | 2.00 | 6.00 |
| 03 | 4.00 | 8.00 |
| 04 | 6.00 | 10.00 |
| 05 | 8.00 | 12.00 |
| 06 | 10.00 | 14.00 |
| 07 | 12.00 | 16.00 |
| 08 | 14.00 | 18.00 |
| 09 | 16.00 | 20.00 |
| 10 | 18.00 | 22.00 |
| 11 | 20.00 | 24.00 |
| 12 | 22.00 | 26.00 |
| 13 | 24.00 | 28.00 |
| 14 | 26.00 | 30.00 |
| 15 | 28.00 | 32.00 |
| 16 | 30.00 | 34.00 |
| 17 | 32.00 | 36.00 |
| 18 | 34.00 | 38.00 |
| 19 | 36.00 | 40.00 |
| 20 | 38.00 | 42.00 |

Material:
Housing:PA66(UL 94V-0),White
Contacts:Brass Tin

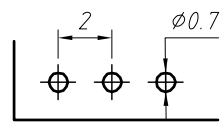
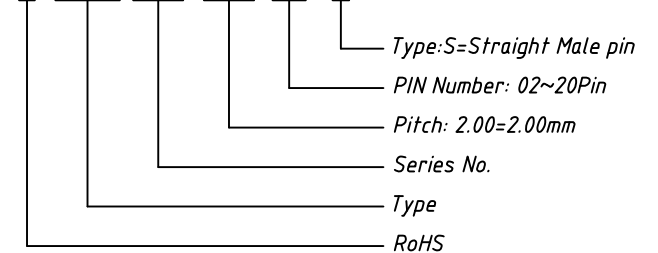
Electrical Characteristics:

- 1.Poles: 2 to 20P
- 2.Current rating: 2.0A
- 3.Voltage rating: 100V
- 4.Temperature range: -25°C to +85°C
- 5.Contact resistance: $\leq 10m\Omega$
- 6.Insulation resistance: $\geq 1000M\Omega$
- 7.Withstand voltage: 800V AC/minute
- 8.Applicable wire: AWG #30 to #24
- 9.Applicable PC board thickness: 0.8~.6mm



Order Information

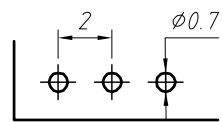
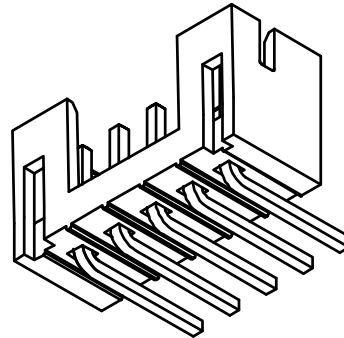
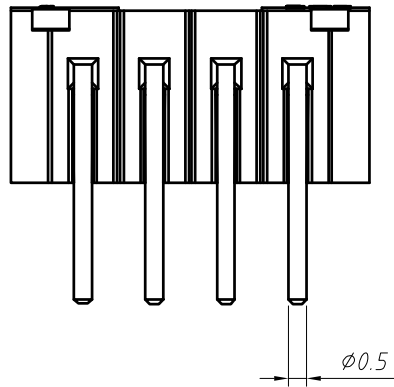
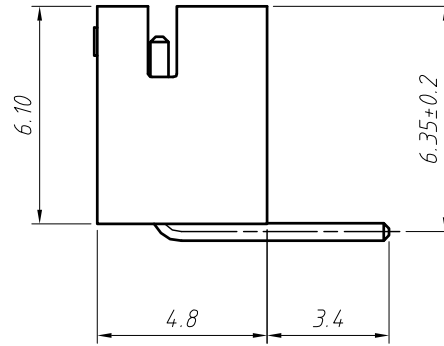
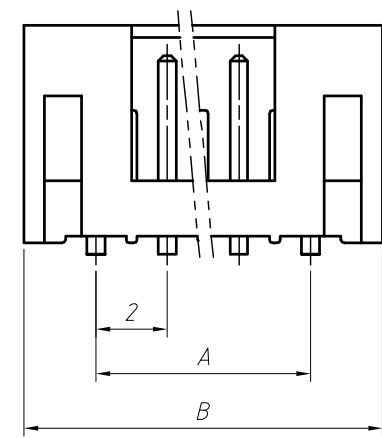
L-KLS1-XL1-2.00-XX-S



PCB LAYOUT

| GENERAL TOLERANCE | PROJECTION | | Description: |
|-------------------|------------|------------|--|
| X. ± 0.50 | UNITS | mm | 2.00mm ZH Type Wire To Board Connector |
| .X ± 0.25 | SCALE | 1:1 | |
| .XX ± 0.10 | Draw by: | Jenny | |
| ANGLE TOLERANCE | Check by: | | KLS P/N: L-KLS1-XL1-2.00-XX-S |
| X. $\pm 5^\circ$ | Date | 2018-03-01 | NingBo KLS ELECTRONIC CO.,L TD. |
| .X $\pm 3^\circ$ | SHEET | 1 OF 1 | |
| .XX $\pm 2^\circ$ | | | |

1 2 3 4 5 6 7 8



PCB LAYOUT

| Circuit | Dimensions(mm) | |
|---------|----------------|-------|
| | A | B |
| 02 | 2.00 | 6.00 |
| 03 | 4.00 | 8.00 |
| 04 | 6.00 | 10.00 |
| 05 | 8.00 | 12.00 |
| 06 | 10.00 | 14.00 |
| 07 | 12.00 | 16.00 |
| 08 | 14.00 | 18.00 |
| 09 | 16.00 | 20.00 |
| 10 | 18.00 | 22.00 |
| 11 | 20.00 | 24.00 |
| 12 | 22.00 | 26.00 |
| 13 | 24.00 | 28.00 |
| 14 | 26.00 | 30.00 |
| 15 | 28.00 | 32.00 |
| 16 | 30.00 | 34.00 |
| 17 | 32.00 | 36.00 |
| 18 | 34.00 | 38.00 |
| 19 | 36.00 | 40.00 |
| 20 | 38.00 | 42.00 |

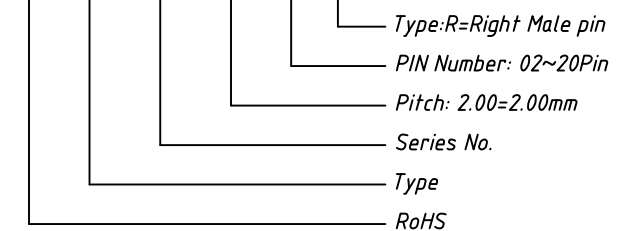
Material:
Housing:PA66(UL 94V-0),White
Contacts:Brass Tin

Electrical Characteristics:

- 1.Poles: 2 to 20P
- 2.Current rating: 2.0A
- 3.Voltage rating: 100V
- 4.Temperature range: -25℃ to +85℃
- 5.Contact resistance: $\leq 10m\Omega$
- 6.Insulation resistance: $\geq 1000M\Omega$
- 7.Withstand voltage: 800V AC/minute
- 8.Applicable wire: AWG #30 to #24
- 9.Applicable PC board thickness: 0.8~.6mm

Order Information

L-KLS1-XL1-2.00-XX-R



| GENERAL TOLERANCE | PROJECTION | | Description: |
|-------------------|------------|------------|--|
| X. ± 0.50 | UNITS | mm | 2.00mm ZH Type Wire To Board Connector |
| .X ± 0.25 | SCALE | 1:1 | |
| .XX ± 0.10 | Draw by: | Jenny | |
| ANGLE TOLERANCE | Check by: | | KLS P/N: L-KLS1-XL1-2.00-XX-R |
| X. $\pm 5^\circ$ | Date | 2018-03-01 | NingBo KLS ELECTRONIC CO.,L TD. |
| .X $\pm 3^\circ$ | SHEET | 1 OF 1 | |
| .XX $\pm 2^\circ$ | | | |