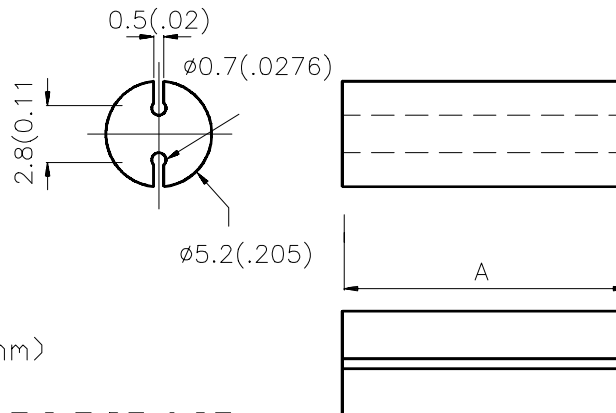


BR-A

### Features

- LED FIRMLY HELD BY SPACER.
- SUITABLE FOR BACK PANEL ILLUMINATION, CIRCUIT BOARD INDICATOR, LED INDICATOR.
- UL RATING : 94V-0.
- HOUSING MATERIAL: TYPE 66 NYLON.

### Package Dimensions



DIMA : (mm)

4.3,4.83,5.8,5.85,6.35,  
7.25,7.62,7.7,8.24,8.7,  
9.52,9.85,10.7,12.7,17.8,  
18.59,19.86,23.5

#### Notes:

1. All dimensions are in millimeters (inches).
2. Tolerance is  $\pm 0.25(0.01)$  unless otherwise noted.
3. Lead spacing is measured where the lead emerge package.
4. Specifications are subject to change without notice.