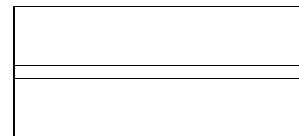
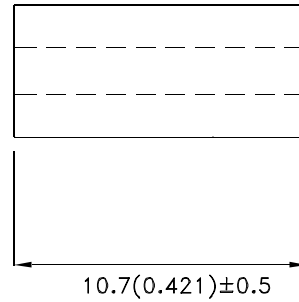
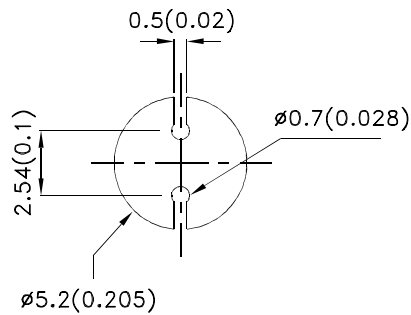


Part Number: BR10.7

Features

- LED firmly held by spacer.
- Suitable for back panel illumination, circuit board indicator, LED indicator.
- Housing UL rating : 94V-0.
- Housing material: type 66 nylon.
- RoHS compliant.

Package Dimensions



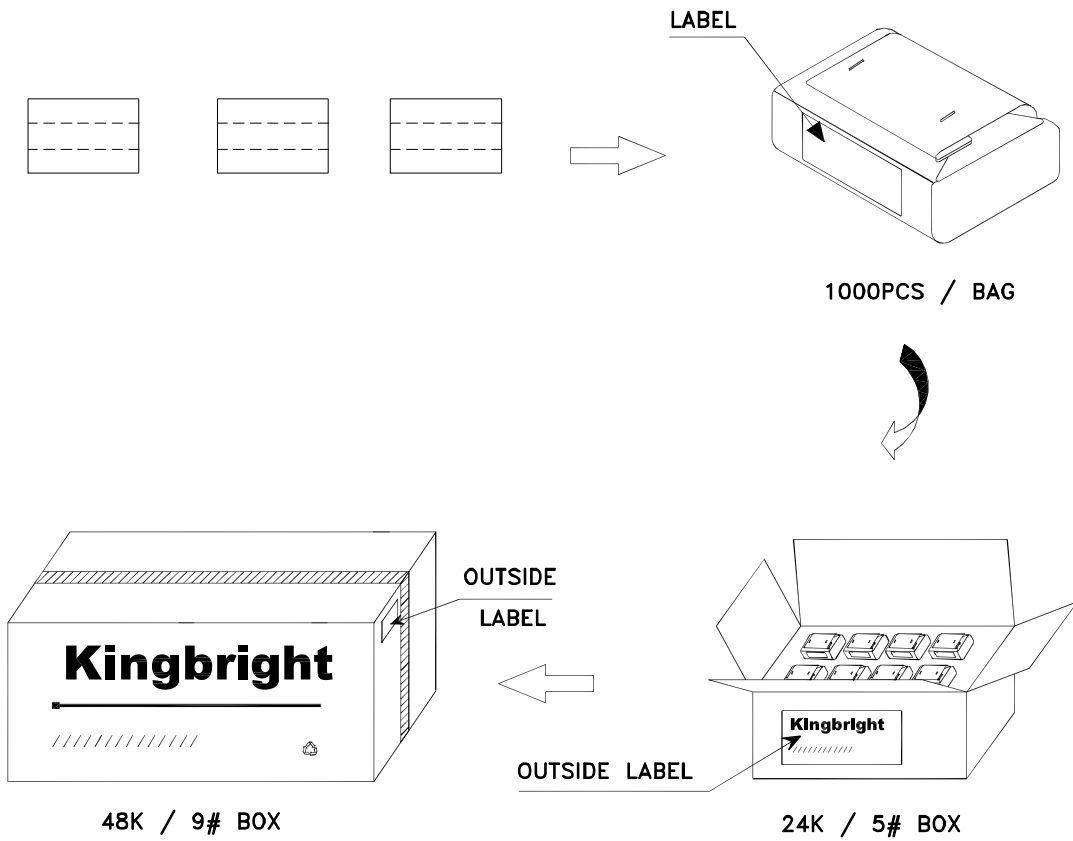
Notes:

1. All dimensions are in millimeters (inches).
2. Tolerance is $\pm 0.25(0.01)$ unless otherwise noted.
3. The specifications, characteristics and technical data described in the datasheet are subject to change without prior notice.



PACKING & LABEL SPECIFICATIONS

BR10.7



<h2 style="margin: 0;">Kingbright</h2>		
P/NO: BRxxx		
QTY: 1000 pcs	Q.C.	<div style="border: 1px solid black; border-radius: 50%; width: 30px; height: 30px; display: flex; align-items: center; justify-content: center; margin: 0 auto;"> <div style="text-align: center; font-size: 8px; margin-bottom: 2px;">Q C</div> <div style="text-align: center; font-size: 8px; margin-bottom: 2px;">XX XX XXXX</div> <div style="text-align: center; font-weight: bold; font-size: 8px;">PASSED</div> </div>
S/N: XXXX		
CODE: XXX		
LOT NO:		
<small>XXXXXXXXXXXXXXXXXXXXXXXXXXXX</small>		
RoHS Compliant		