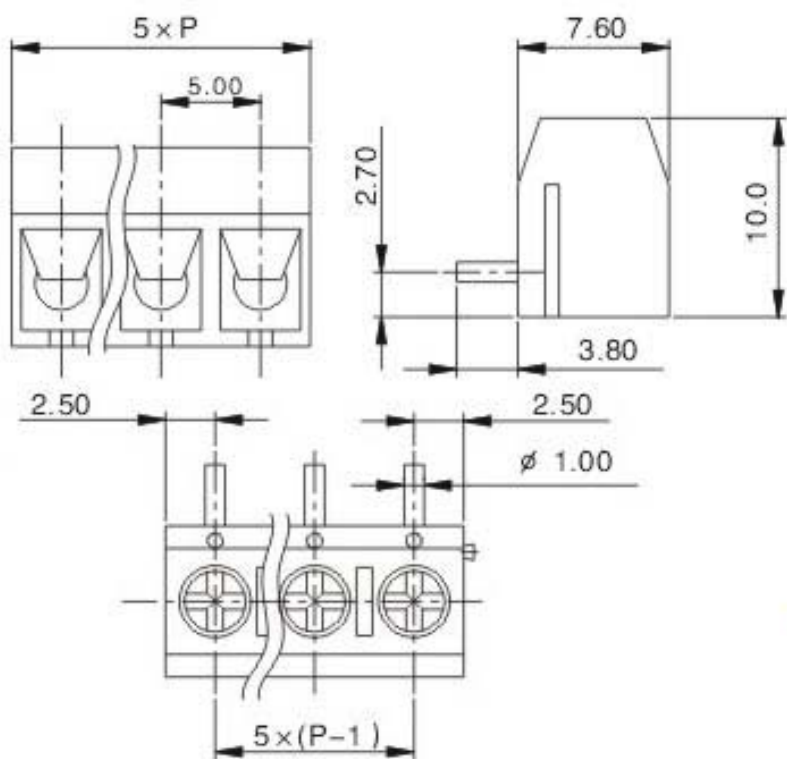




KF301R



▶ **Electrical**

Rated voltage: 300V
 Rated current: 16A
 Contact resistance: 20m Ω
 Insulation resistance: 5000M Ω /1000V
 Withstanding Voltage: AC1500V/1Min
 Wire range: 22-14A WG/2.5mm²

▶ **材质及电镀**

间距: 5.0mm
 极数: 2P、3P
 螺丝: M2.5、钢、镀锌
 触点材料: 磷青铜、镀镍或不锈钢
 焊针: 黄铜、镀锡
 塑件: PBT,UL94V-0

▶ **电气性能**

额定电压: 300V
 额定电流: 16A
 接触电阻: 20m Ω
 绝缘电阻: 5000M Ω /1000V
 耐电压: AC1500V/1Min
 使用线径: 22-14A WG/2.5mm²

▶ **机械性能**

温度范围: -30 $^{\circ}$ C ~ +120 $^{\circ}$ C
 瞬时温度: +250 $^{\circ}$ C5秒
 扭矩: 0.5Nm(3.6lb.in)
 剥线长度: 4.5-5mm

▶ **Material**

Pitch: 5.0mm
 Poles: 2P、3P
 Screws: M2.5 steel Zinc plated
 Contact: phosphor bronze Ni plated or stainless steel
 Pin header: Brass, Tin plated
 Housing: PBT,UL94V-0

▶ **Mechanical**

Temp.Range: -30 $^{\circ}$ C ~ +120 $^{\circ}$ C
 MAX Soldering: +250 $^{\circ}$ C for 5 Sec.
 Torque: 0.5Nm(3.6lb.in)
 Strip length: 4.5-5mm