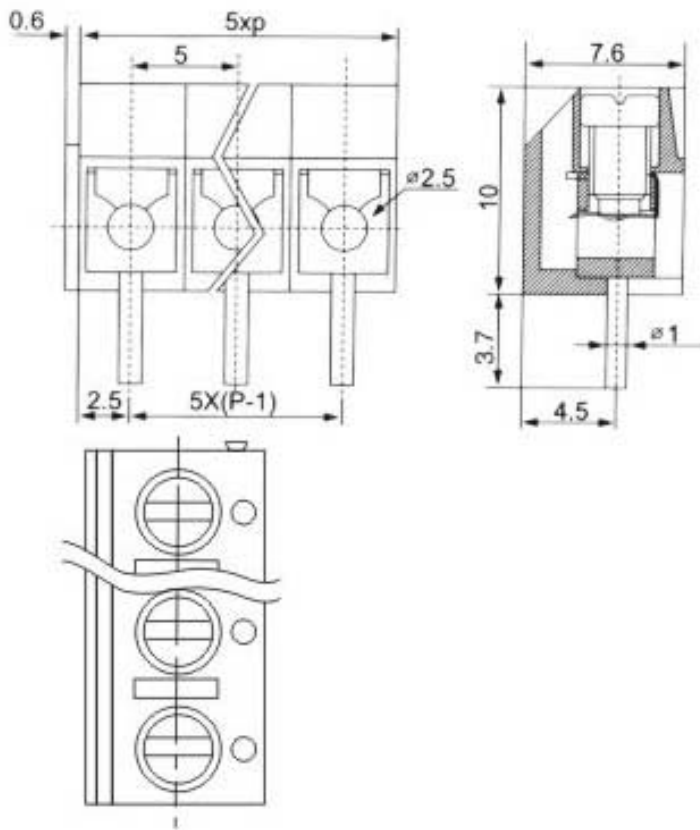




KF301



▶ 材质及电镀

间距: 5.0mm
 极数: 2P、3P
 螺丝: M2.5、钢、镀锌
 触点材料: 磷青铜、镀镍或不锈钢
 焊针: 黄铜、镀锡
 塑件: PBT,UL94V-0

▶ 电气性能

额定电压: 300V
 额定电流: 16A
 接触电阻: 20mΩ
 绝缘电阻: 5000MΩ/1000V
 耐电压: AC1500V/1Min
 使用线径: 22-14A WG/2.5mm²

▶ 机械性能

温度范围: -30°C ~ +120°C
 瞬时温度: +250°C 5秒
 扭矩: 0.5Nm(3.6lb.in)
 剥线长度: 4.5-5mm

▶ Material

Pitch: 5.0mm
 Poles: 2P、3P
 Screws: M2.5 steel Zinc plated
 Contact: phosphor bronze Ni plated
 or stainless steel
 Pin header: Brass, Tin plated
 Housing: PBT,UL94V-0

▶ Electrical

Rated voltage: 300V
 Rated current: 16A
 Contact resistance: 20mΩ
 Insulation resistance: 5000MΩ/1000V
 Withstanding Voltage: AC1500V/1Min
 Wire range: 22-14A WG/2.5mm²

▶ Mechanical

Temp.Range: -30°C ~ +120°C
 MAX Soldering: +250°C for 5 Sec.
 Torque: 0.5Nm(3.6lb.in)
 Strip length: 4.5-5mm