



Notes:

130 mm fullrange

cone: rubber edge
dustcap: Paper
edge: oil coated
gasket: oil coated
voice coil: PL
magnet: ferrit

Terminals:

"+" 2.8 x 0.8 mm
"-" 2.8 x 0.8 mm

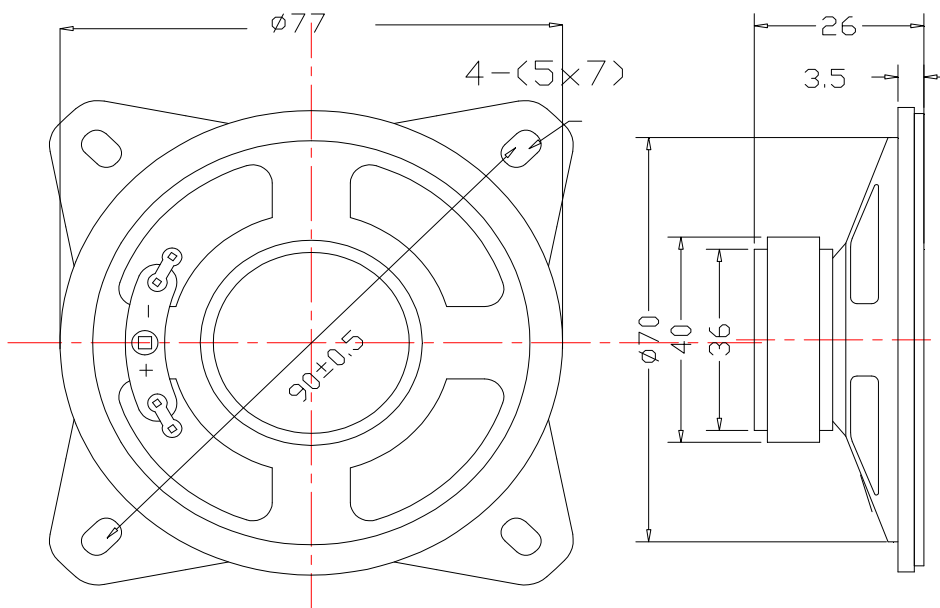
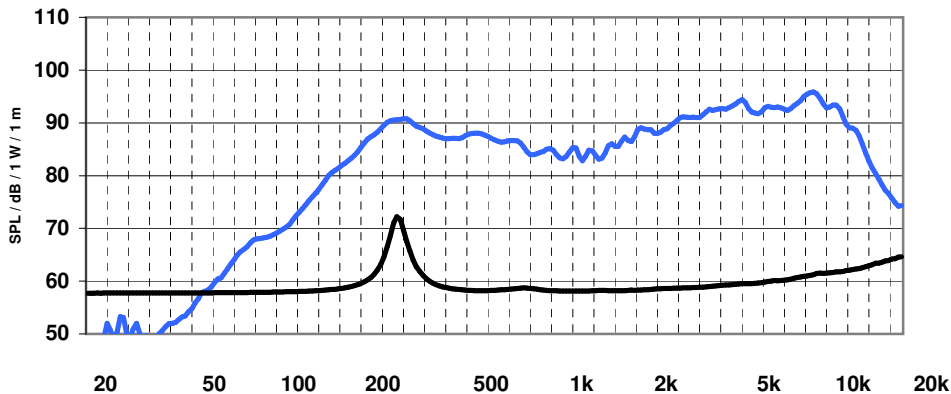
Technical data (EN):

nom impedance 8 Ω
nom. power 15 watts
peak SPL 96 dB
sensitivity 93 dB
average SPL 88 dB
res. frequency 278 Hz
freq. Range (-10 dB):
182 to 20000 Hz
Xmax +/- 0,5 mm
total weight 0,105 kg
magnet weight 1 oz
voice coil Ø 13,28 mm

Thiele / Small parameter:

Re 7,6 Ω
Qms 4,8
Qes 2,73
Qts 1,7
VAS 0,75 Liter
Mms 0,58 g
Rms 0,23 kg / s
Cms 0,56 mm / N
B * L 1,62 Tm
Sd 31,3 cm²
Le 0,2 mH

Frequenzgang / frequency response



Technical data are measured with ATB - equipment according EN - 60268 - 5

For product improvement HKM reserves alterations in specifications and design without further announcement

For tolerances of technical data refer to HKM's manual of technical data

For information contact: tel.: +49 (0) 9073 / 9585 - 0, fax.: +49 (0) 9073 / 9585 - 55, e-mail: info@hkm-group.de

HP.: www.hkm-group.de

04.09.2012

