

MSFY-N6 LCD module

1. Function:

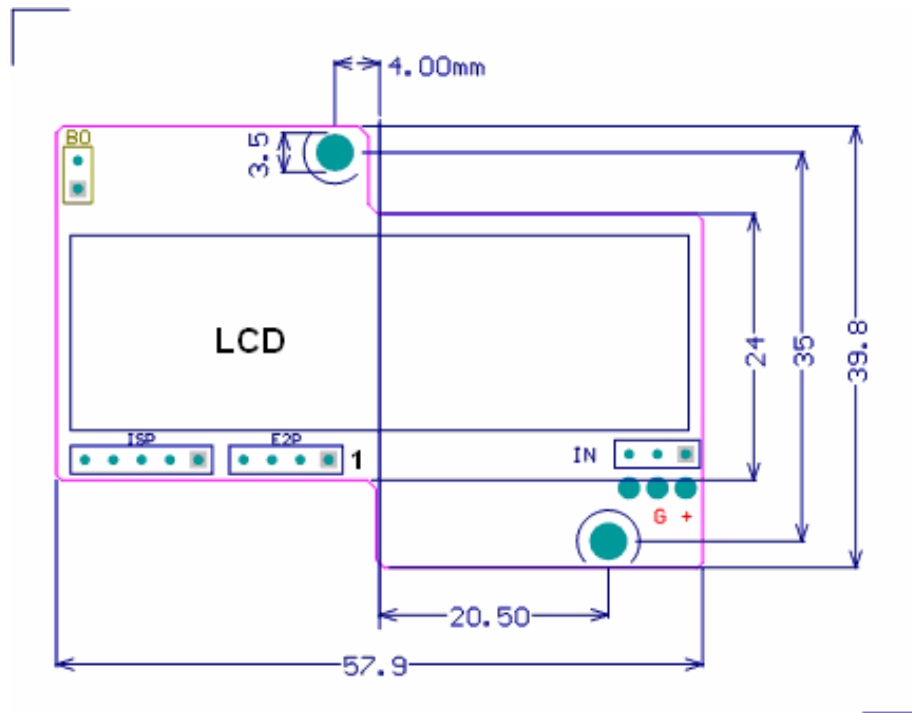
1. LCD display
2. 7 digits (decimals can be set)
3. Can receive high frequency impulse or low frequency impulse.
4. Has function of non-return
5. Zero clearing.

2. Main technical features:

1. workable impulse width: $\geq 50\text{ms}$
2. Rated voltage : $3.6\text{V} \pm 0.3$ or $5\text{V} \pm 0.5\text{V}$
3. Power consumption: 1.2mA
4. Working temperature: $-25^{\circ}\text{C} \sim 65^{\circ}\text{C}$, can customize higher requirement
5. Relative humidity: 85% (25°C) can customize higher requirement
6. life-span ≥ 10 years
7. Meets IEC61036, GB/T17215-2002, EMC

3. Application:

3.1. Drawing:



3.2 Input/output

IN: terminal

E2P: EEPROM terminal

B0

battery terminal

PIN	Symbol	Usage
1	+	Power positive
2	G	Power negative
3	P	Pulse input

PIN	Usage
1	SDA
2	SCL
3	Power negative
4	Power positive

PIN	Usage
1	Battery positive
2	Battery negative
Selectable	

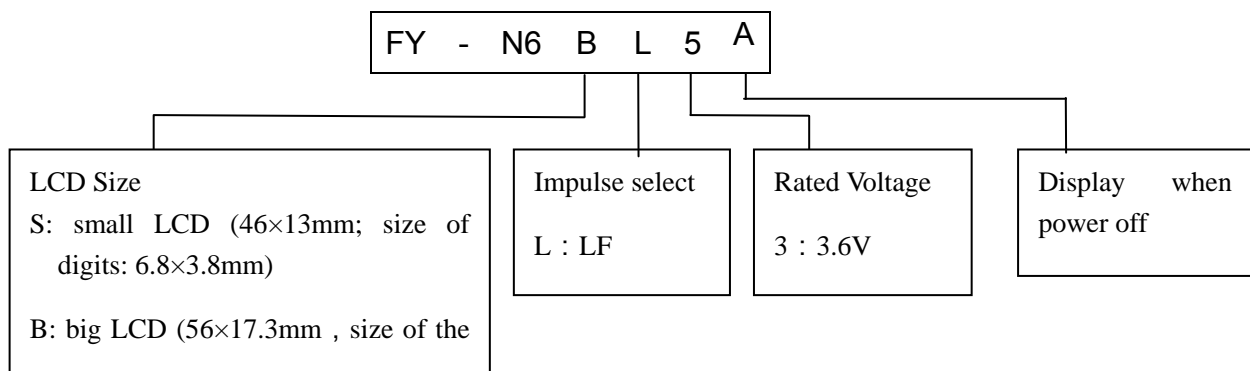
3.3 Short Circuit Wiring Point

NO.	Usage	OFF	ON(Short circuit wiring)
Init	Zero clearing	Normal working	Zero clearing after power on.
1	Choose the position of decimal	2 decimals	1 decimal
2,3	Radio select	LF(Low frequency impulse input)	CF(high frequency impulse input)

3.4 Impulse and Ratio Select

2	3	Impulse	Ratio
OFF	OFF	LF	100:1
ON	OFF		200:1
OFF	ON		400:1
ON	ON		800:1
OFF	OFF	CF	800imp/kWh
ON	OFF		1600imp/kWh
OFF	ON		3200imp/kWh
ON	ON		6400imp/kWh

3.5 Type



3.6 Impulse Input

Product have LF input can replace step motor counter, connect Pulse input PIN to one LF port on meter board, example: ADE7755 F1 PIN or F2 PIN. CF type product, connect Pulse Input PIN to calibration frequency impulse port on meter board, example: ADE7755 CF PIN.