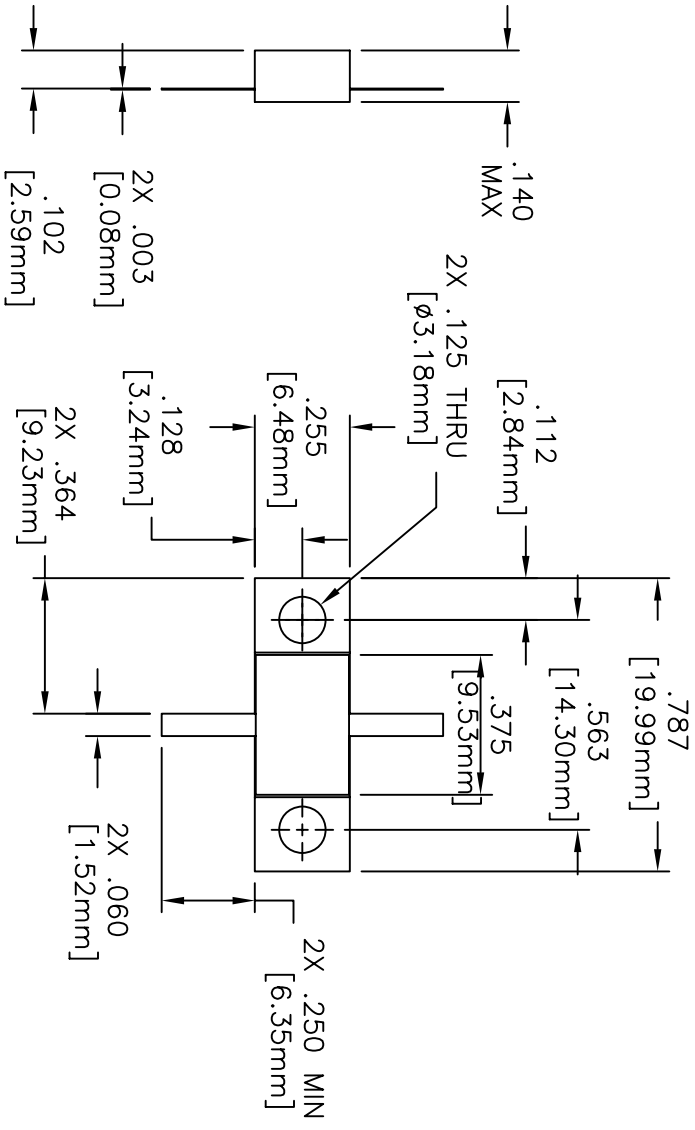
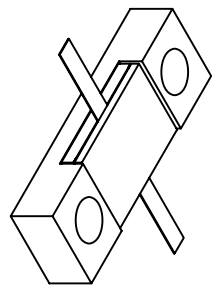


**EDD**

DRAWING NO.: **31-1033-\*** REV. **F**

NOTES: UNLESS OTHERWISE SPECIFIED, TOLERANCES ARE ± .010" [.254mm].



**MATERIALS:**  
 MTC. FLANGE: OFHC 1/4 HD  
 SUBSTRATE: BERYLLIUM OXIDE  
 COVER: ALUMINA  
 TAB: BERYLLIUM COPPER PER ASTM B194  
 RESISTIVE FILM: THIN FILM  
**FINISH:**  
 MTC. FLANGE: NICKEL PER QQ-N-290  
 TAB: TIN/LEAD PER MIL-T-10727  
**ELECTRICAL: (RESISTOR)**  
 \*RESISTANCE RANGE: 5-200 OHMS  
 AVERAGE POWER: 60 WATTS  
 CAPACITANCE: 0.7 pF  
 TEMPERATURE COEFFICIENT: ± 200 PPM MAX  
 OPERATING TEMPERATURE: -55° TO +150° (°C)

EN# 04-F0164	APVD	DATE	REFERENCE	TITLE	
UNLESS OTHERWISE SPECIFIED				RESISTOR, FLANGE MOUNT, 60 WATT	
1. DO NOT SCALE DRAWING 2. DIMENSIONS ARE IN INCHES 3. DIMENSIONS ARE AFTER PLATING 4. CORNERS, EDGES AND FILLETS: R 5. SURFACE ROUGHNESS: 6. REMOVE ALL BURRS			MATERIAL	DRAWING NO.: <b>31-1033-*</b>	
TOLERANCES			FINISH	SCALE	REV.
X ± XX ± XXX ±				2/1	F
ANGLES X ±				CAGE CODE ID NO.	
THE INFORMATION CONTAINED HEREIN IS: (A) CONSIDERED PROPRIETARY TO FLORIDA RF LABS INC.; (B) PROTECTED BY COPYRIGHT OWNED BY FLORIDA RF LABS INC.; (C) CONSIDERED A WORK FOR HIRE UNDER COPYRIGHT LAW; (D) PROTECTED BY TRADE SECRET LAWS WHICH MAKE IT UNLAWFUL TO DISCLOSE TO ANY OTHER PARTY; (E) IS TO BE USED ONLY FOR THE PURPOSES WHICH ARE SPECIFIED IN THIS INFORMATION SHALL NOT BE DISCLOSED IN WHOLE OR IN PART, TO ANY PARTY, FOR ANY REASON, WITHOUT THE EXPRESS WRITTEN CONSENT OF A QUALIFIED EXECUTIVE OF FLORIDA RF LABS INC.			MFG:	SIZE	
				A	
			CHKD.:	DRAWN: ALM	
				05/10/04	
				SHEET	OF
REV.	DESCRIPTION	DRAWN	APVD.		
A	DCN#0183	01/28/93	01/28/93		
B	DCN#0260	12/12/94	12/12/94		
C	ECN#00352	07/17/00	07/17/00		
D	EN 06-F0631	07/21/06			
E	EN 07-F1258	1/18/08			
F	EN 08-F0523	6/9/08			