

## COM5042 Evaluation module for TGS5042 (without sensor)

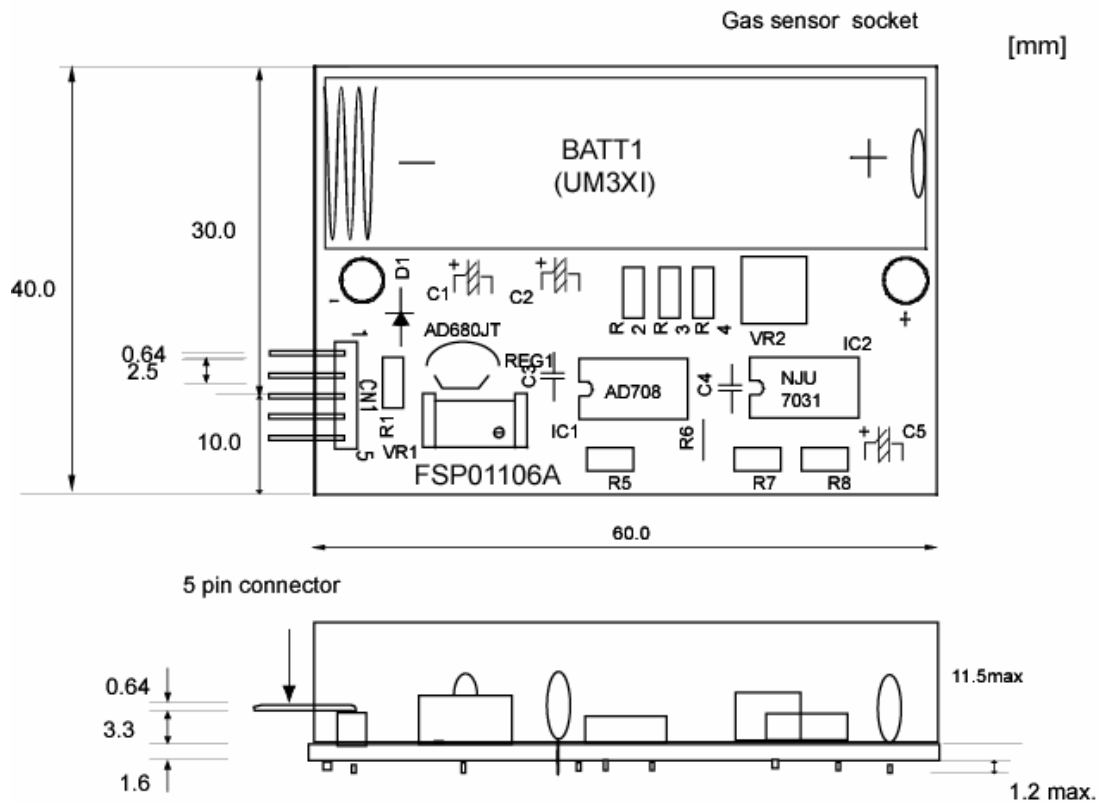


Figure 1-1 : Schematic diagram of sensor module for TGS5042

Table 1-1 Pin connection of the 5 pin connector

Pin No.	Pin name	Contents	Remarks
①	V in	DC power source input	5.0~12V DC
②			(Not used)
③	V out	Sensor output	DC 0~ V <sub>in</sub>
④			(Not used)
⑤	GND	GND	

**Remarks:**

Sensor output current 1 $\mu$ A : V<sub>out</sub>: 4V

Sensor output current 0 $\mu$ A : V<sub>out</sub>: 0.995 +/- 0.05 V

The relationship between output voltage and sensor output current:

$$I_s = (V_{out} - 1) / 3.13$$

where

I<sub>s</sub>: Sensor output current/ $\mu$ A

V<sub>out</sub>: Output voltage of module /V

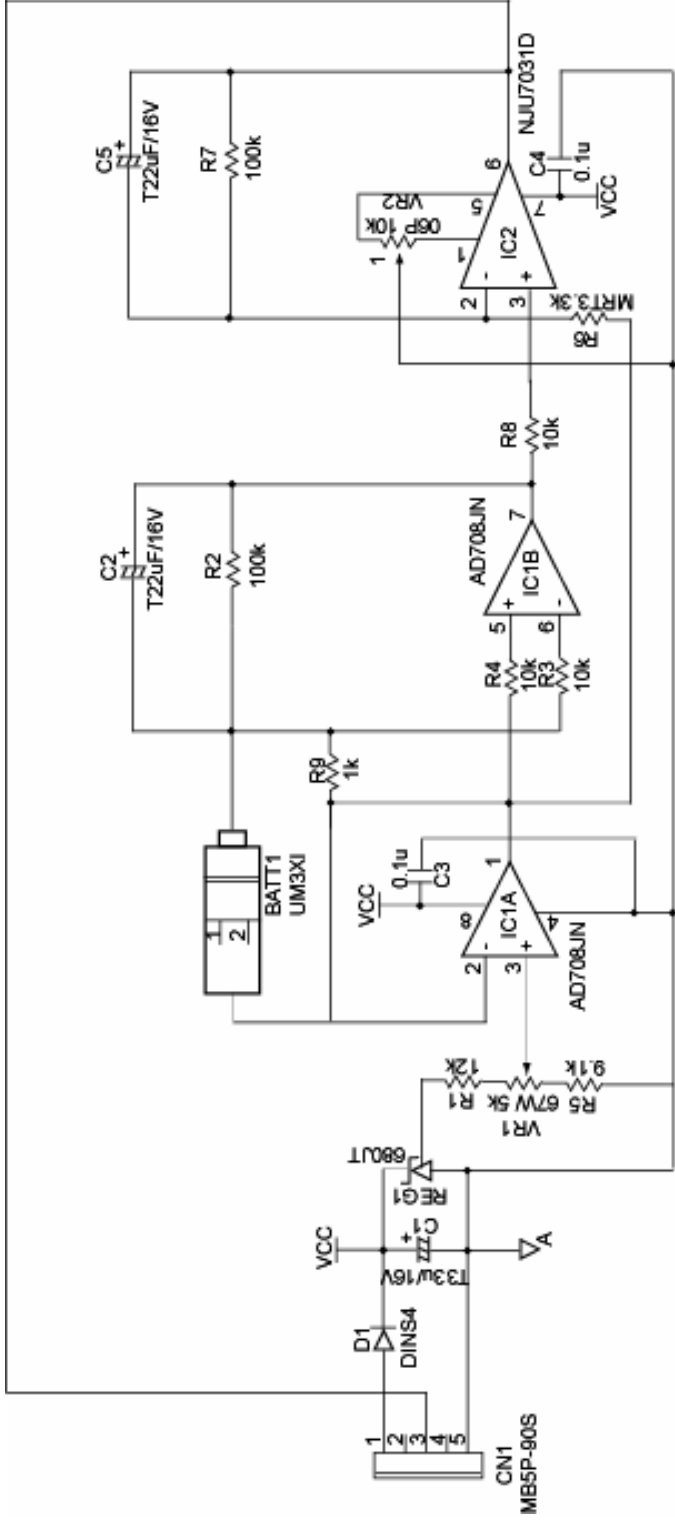


Figure 1-2 : Schematic Circuit Diagram of TGS5042 Evaluation Module